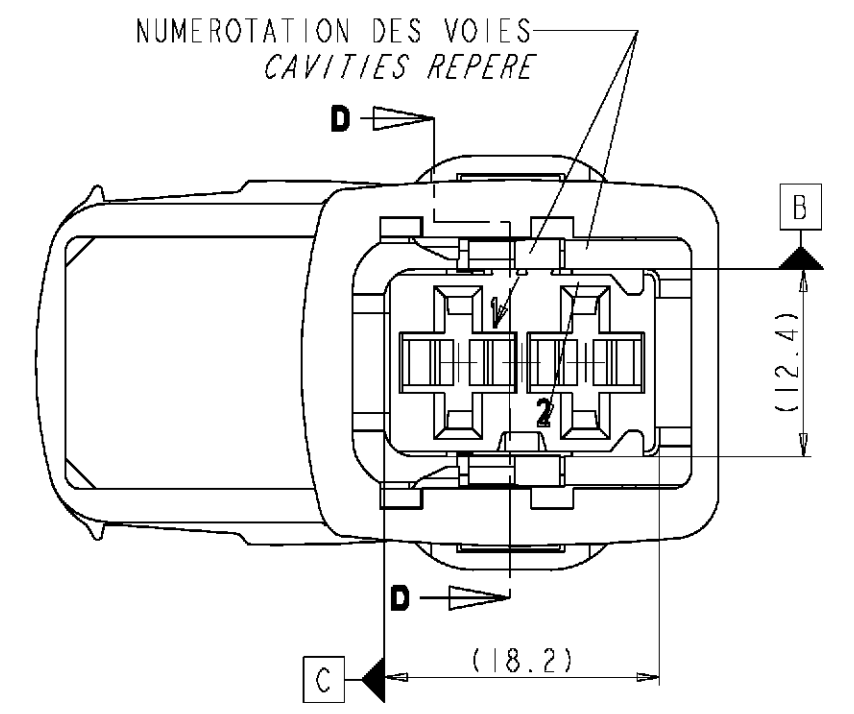


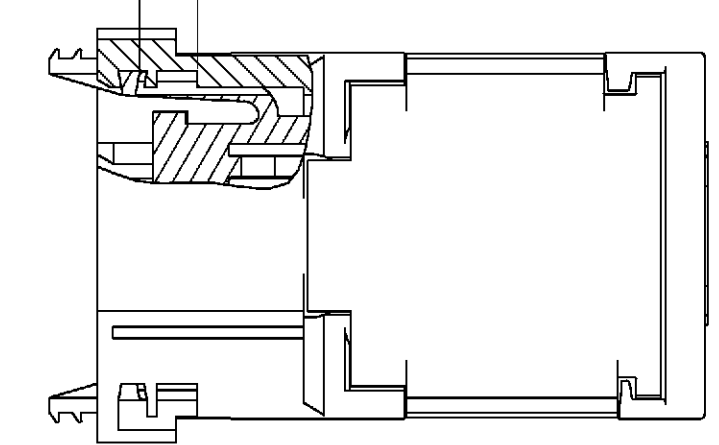
THIS DRAWING IS UNPUBLISHED. RELEASED FOR PUBLICATION 2010
 © COPYRIGHT 2010 BY TYCO ELECTRONICS CORPORATION. ALL INTERNATIONAL RIGHTS RESERVED.

REVISIONS					
P	LTR	DESCRIPTION	DATE	DWN	APVD
A		FIRST ISSUE	13OCT2010	PFs	JDr

POSITION PRE-MONTEE (POSITION DE LIVRAISON)
PRE-MOUNTED POSITION (DELIVERY POSITION)

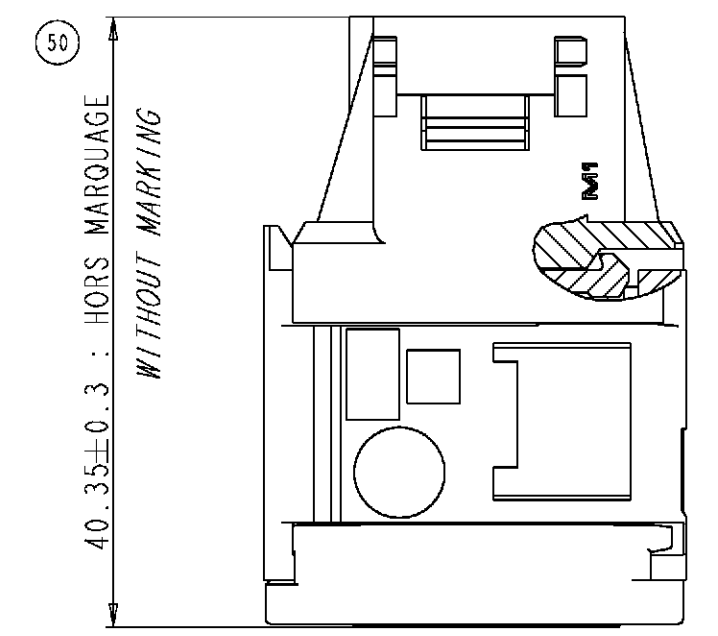


COUPE D-D SECTION D-D
 COURSE MAXI DU VS = (3.8)
 MAXI DISPLACEMENT OF SECONDARY LOCK = (3.8)

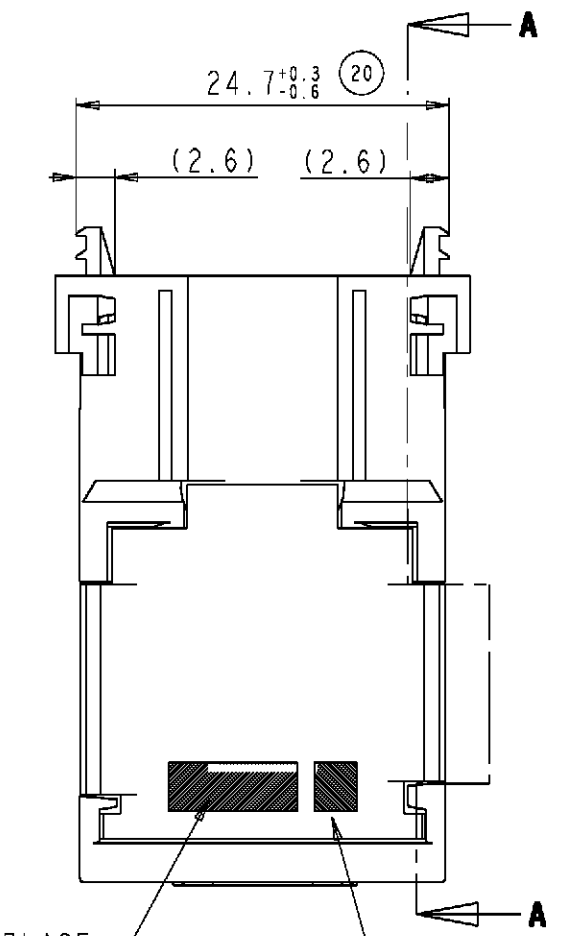
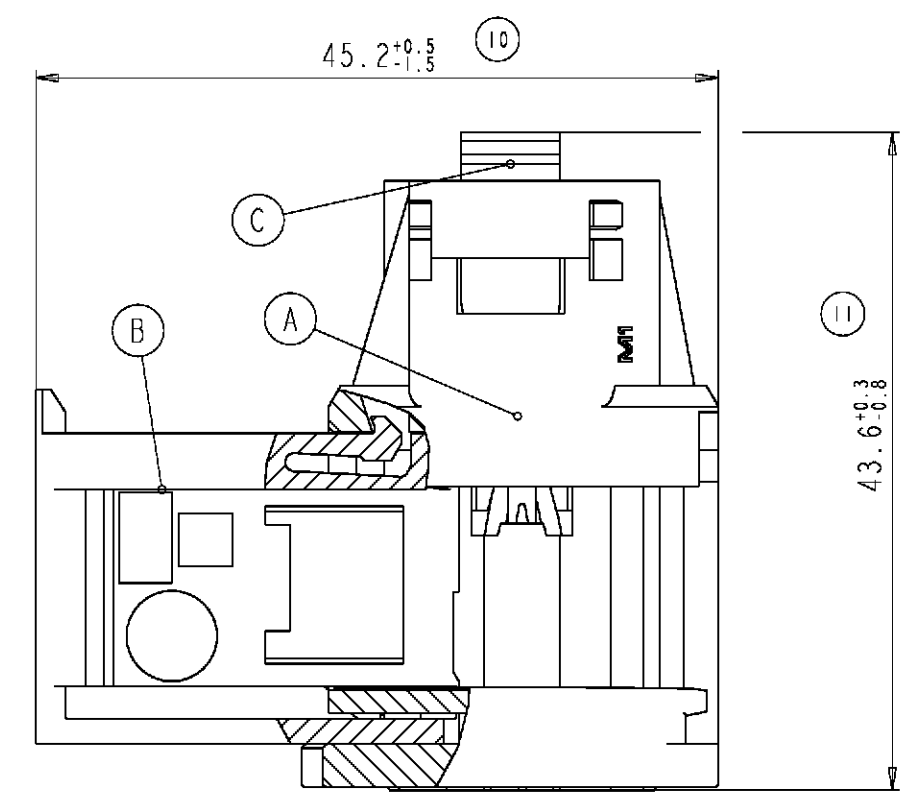


POSITION FERME
CLOSED POSITION

COUPE A-A SECTION A-A

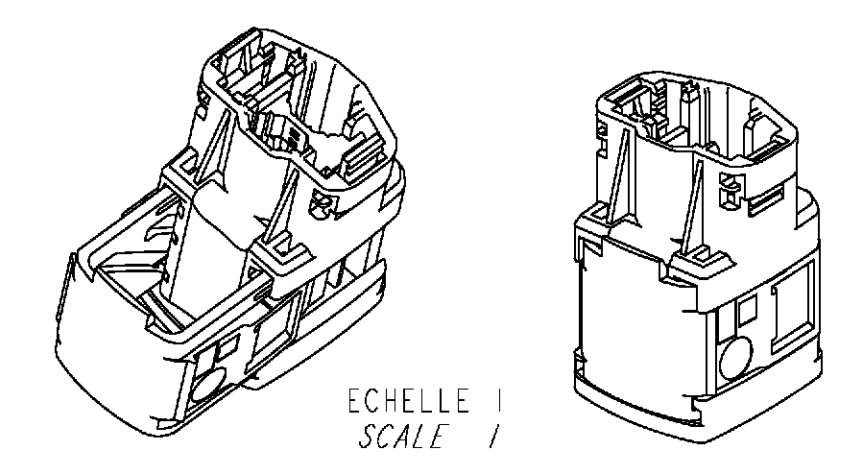


COUPE A-A SECTION A-A



DATE D'ASSEMBLAGE
 ASSEMBLY DATE
 INDICE PIECE ASSEMBLEE
 REVISION ASSEMBLY CODE

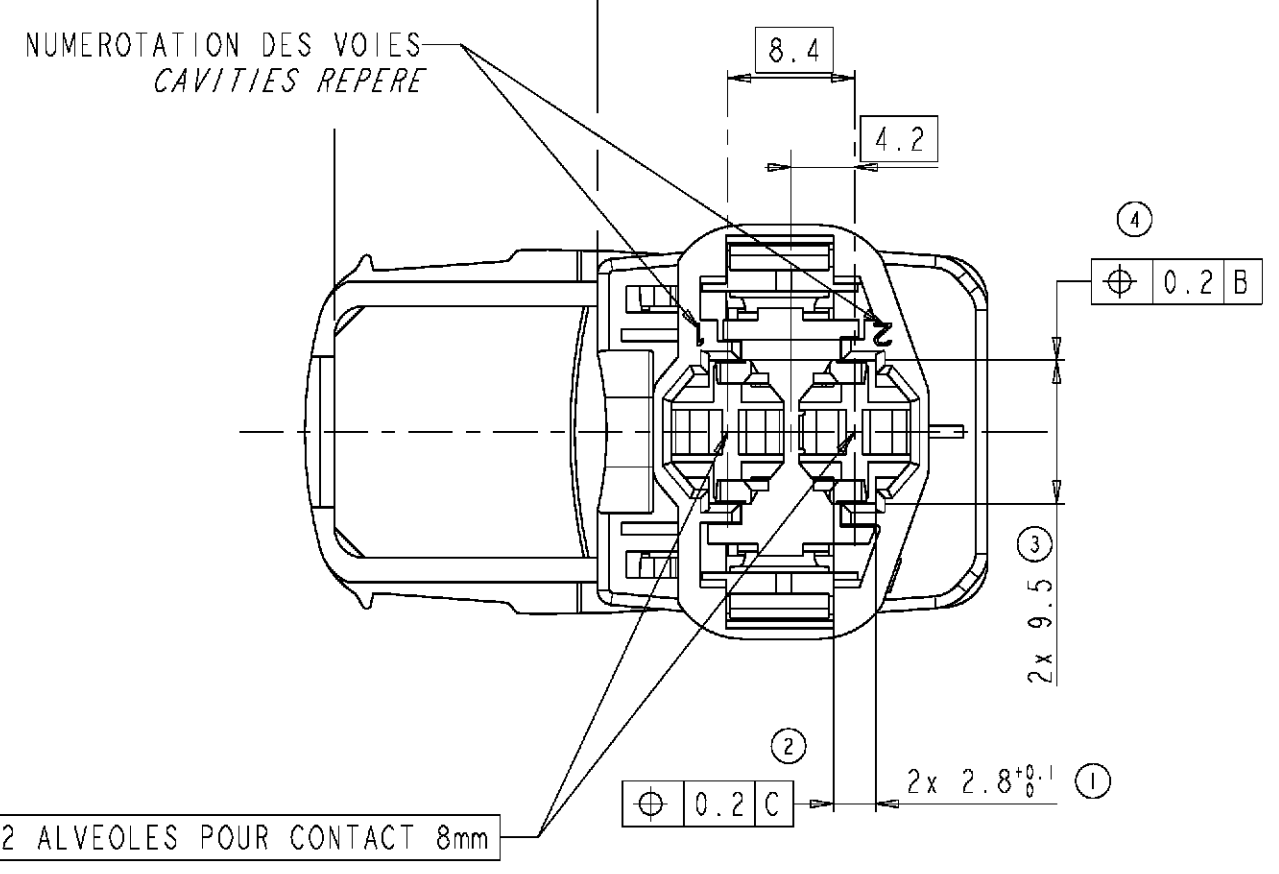
VUES 3D
 POSITION PRE-MONTEE
 PRE-MOUNTED POSITION
 POSITION MONTEE
 CLOSED POSITION



NOMENCLATURE / COMPONENTS LIST			
REPERE REPERE	COMPOSANT COMPONENT	MATIERE MATERIAL	COULEUR COLOR
A	PORTE-CLIPS CONTACT HOUSING	PBT GF10	NOIR / BLACK BLEU / BLUE NATUREL-BLANC / NATURAL-WHITE
B	ETRIER SLIDER	PBT GF10	ROUGE / RED
C	VERROU SECONDAIRE SECONDARY LOCK	PBT GF10	JAUNE / YELLOW

VERSIONS DE CODAGE ET REFERENCE D'ASSEMBLAGE CODING AND ASSEMBLY PART NUMBER			
COULEUR COLOR	NOIR BLACK	BLEU BLUE	NATUREL - BLANC NATURAL - WHITE
REF. TE TE PN.	1801422-1	1801422-2	1801422-3
REF. CLIENT CUSTOMER PN			
ZONES DE DETROMPAGE MECANIQUE MECHANICAL CODING AREA			

17.4 COURSE MAXI DE L'ETRIER
MAXI DISPLACEMENT OF SLIDER



NOTA / NOTE	
1	{...} = COTES POUR INFORMATION / {...} = ONLY FOR INFORMATION
2	CONDITIONNEMENT, VOIR SPECIFICATION 107-15631 / PACKAGING, SEE SPECIFICATION NO 107-15631

CONTACTS ASSOCIES APPLIED CONTACTS		
REF. TE TE PN.	REF. CLIENT CUSTOMER PN.	DESIGNATION DESCRIPTION
1544964-1		CLIPS 8mm NGIPLUS GAMME 2.5 à 4mm ² 8mm NGIPLUS CONTACT, WIRE RANGE 2.5 TO 4mm ²
1544965-1		CLIPS 8mm NGIPLUS GAMME 5 à 6mm ² 8mm NGIPLUS CONTACT, WIRE RANGE 5 TO 6mm ²
1544966-1		CLIPS 8mm NGIPLUS GAMME 7 à 10mm ² 8mm NGIPLUS CONTACT, WIRE RANGE 7 TO 10mm ²
1544652		= INTERFACE ASSOCIEE = APPLIED INTERFACE

DIMENSIONS: mm		TOLERANCES UNLESS OTHERWISE SPECIFIED: ±0.1	
MATERIAL SEE TABLE		FINISH SEE TABLE	

DWN P. FLORES	13OCT10	Tyco Electronics Tyco Electronics France SAS 517, Av. de la Boisse, 73000 Chambéry
CHK F. SAPET	13OCT10	
APVD J. DAHER	13OCT10	NAME 2 WAY 8mm HOLDER WITH SLIDER PORTE-CLIPS 2V 8mm A ETRIER
PRODUCT SPEC 108-15350	APPLICATION SPEC 411-15743	
WEIGHT 0.015 kg	SIZE A2	RESTRICTED TO
CUSTOMER DRAWING	SCALE 2.000	SHEET OF REV 1 OF 1 A