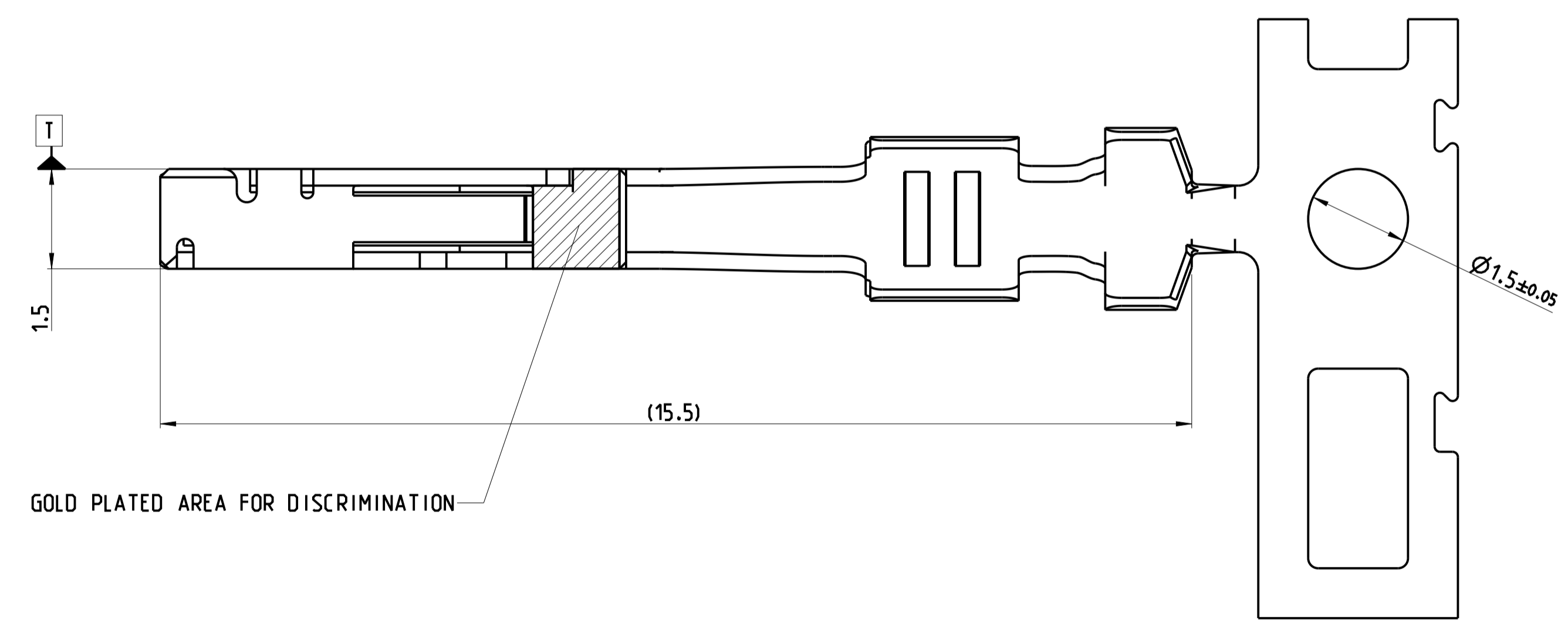
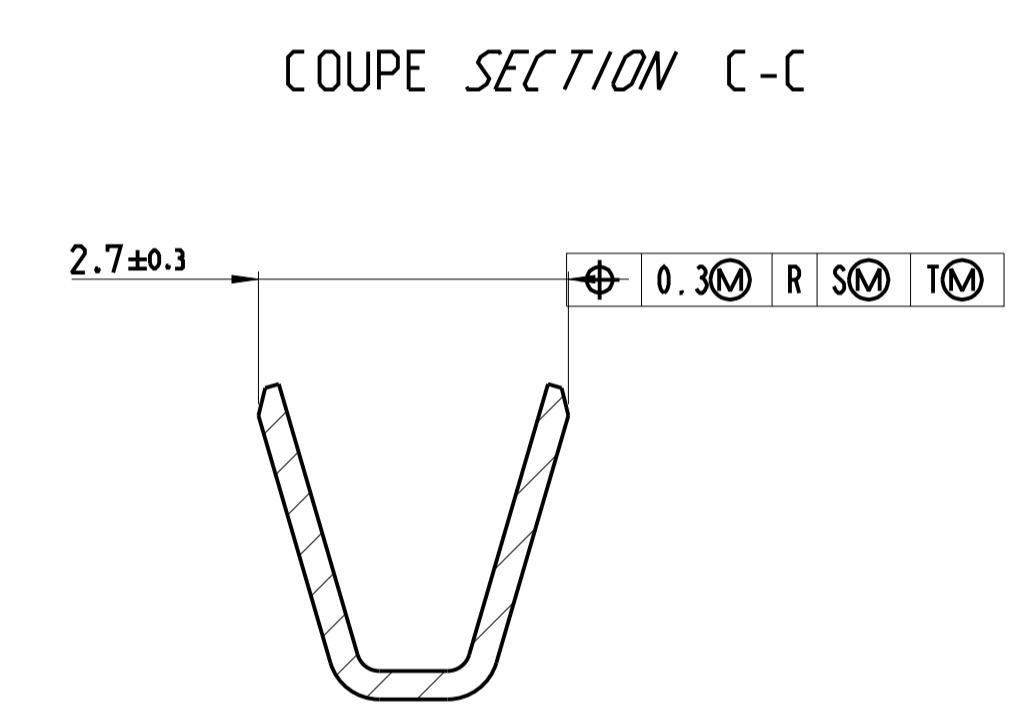
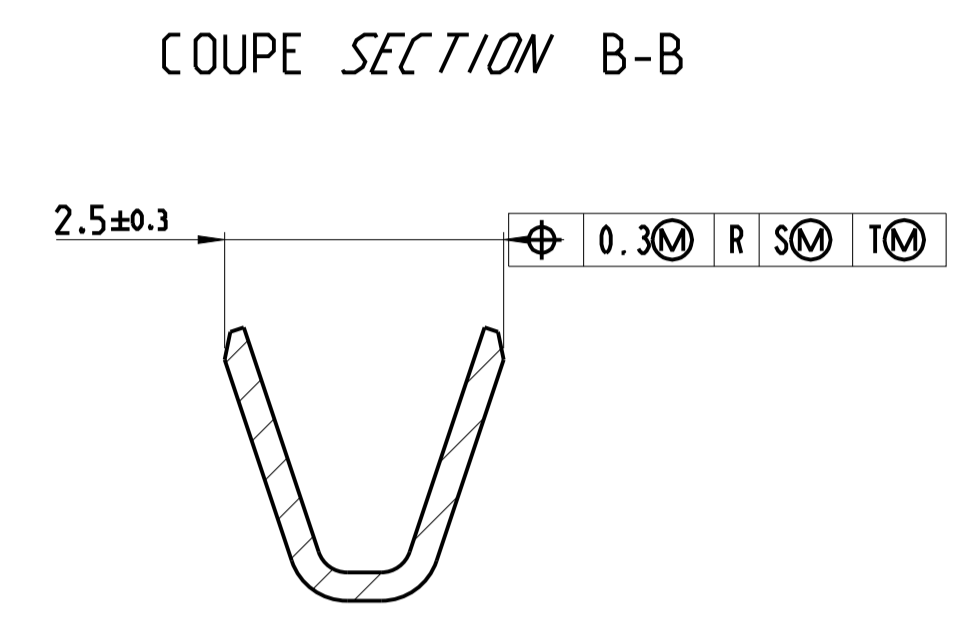
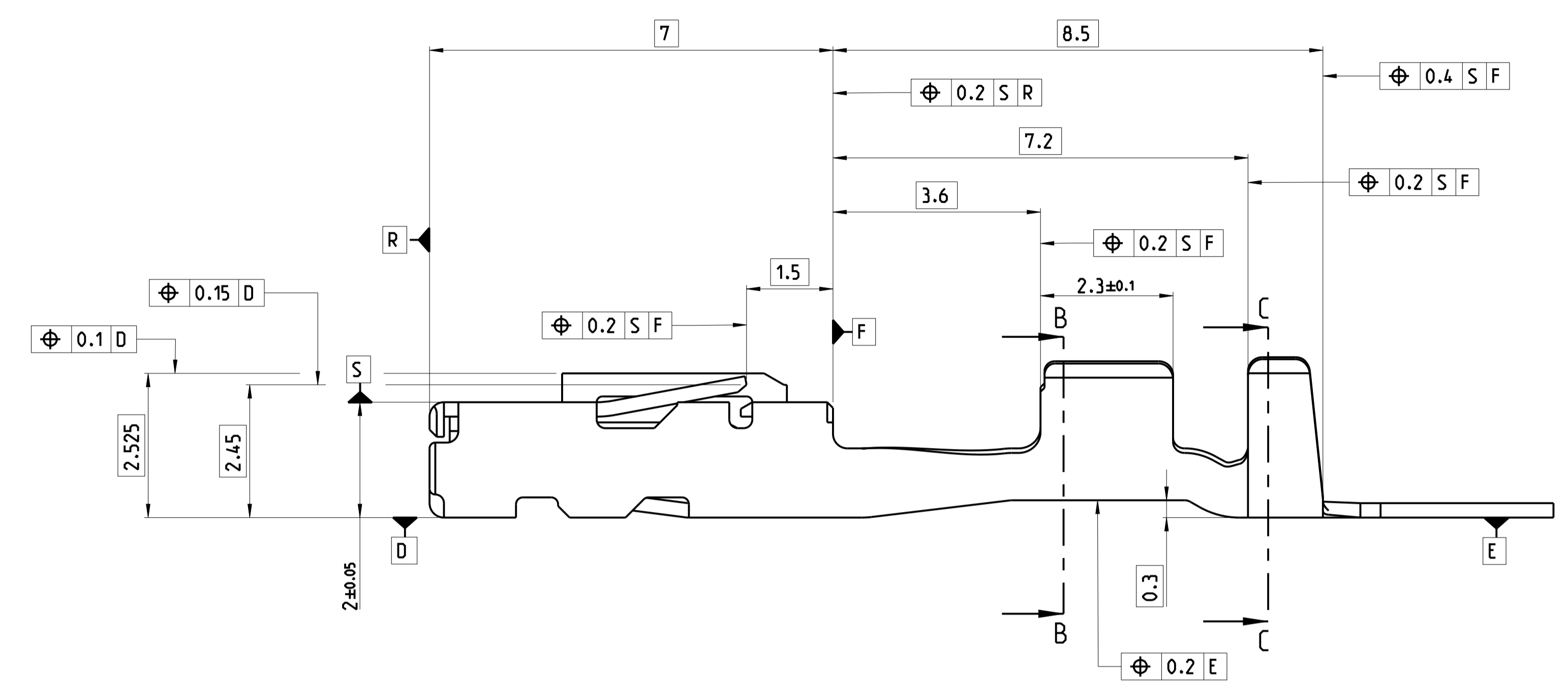
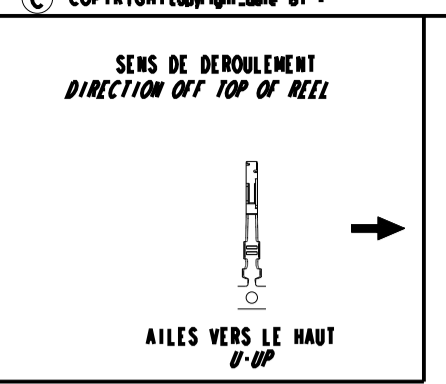


REVISIONS				
P	LTR	DESCRIPTION	DATE	DWH APVD
A		INITIAL RELEASE	13AUG2014	CS JPP



INDICE REVISION PRODUIT PART REVISION CODE	REFERENCE TE TE PN	MATIERE MATERIAL	FINITION FINISH
A	1801248-2	CuNiSi	DORE GOLD 0.8 µ mini

DIMENSIONS:		TOLERANCES UNLESS OTHERWISE SPECIFIED:	
mm	0 PLC ±	1 PLC ±0.2	2 PLC ±
	3 PLC ±	4 PLC ±	ANGLES ±5°
	FINISH		

THIS DRAWING IS A CONTROLLED DOCUMENT.		DWH C. SALGADO 13AUG2014	TE Connectivity
		CHK JP. PICAUD 13AUG2014	
		APVD J. DAHER 13AUG2014	NAME CLIP 025 TH
			0.5 A 0.75 SQ mm
			PRODUCT SPEC 108-5664
			APPLICATION SPEC
			SIZE CAGE CODE DRAWING NO RESTRICTED TO
		WEIGHT 0.2g	A 1 00779 C=1801248
		MATERIAL -	SCALE 15:1 SHEET 1 OF 1 REV A
		Customer Drawing	