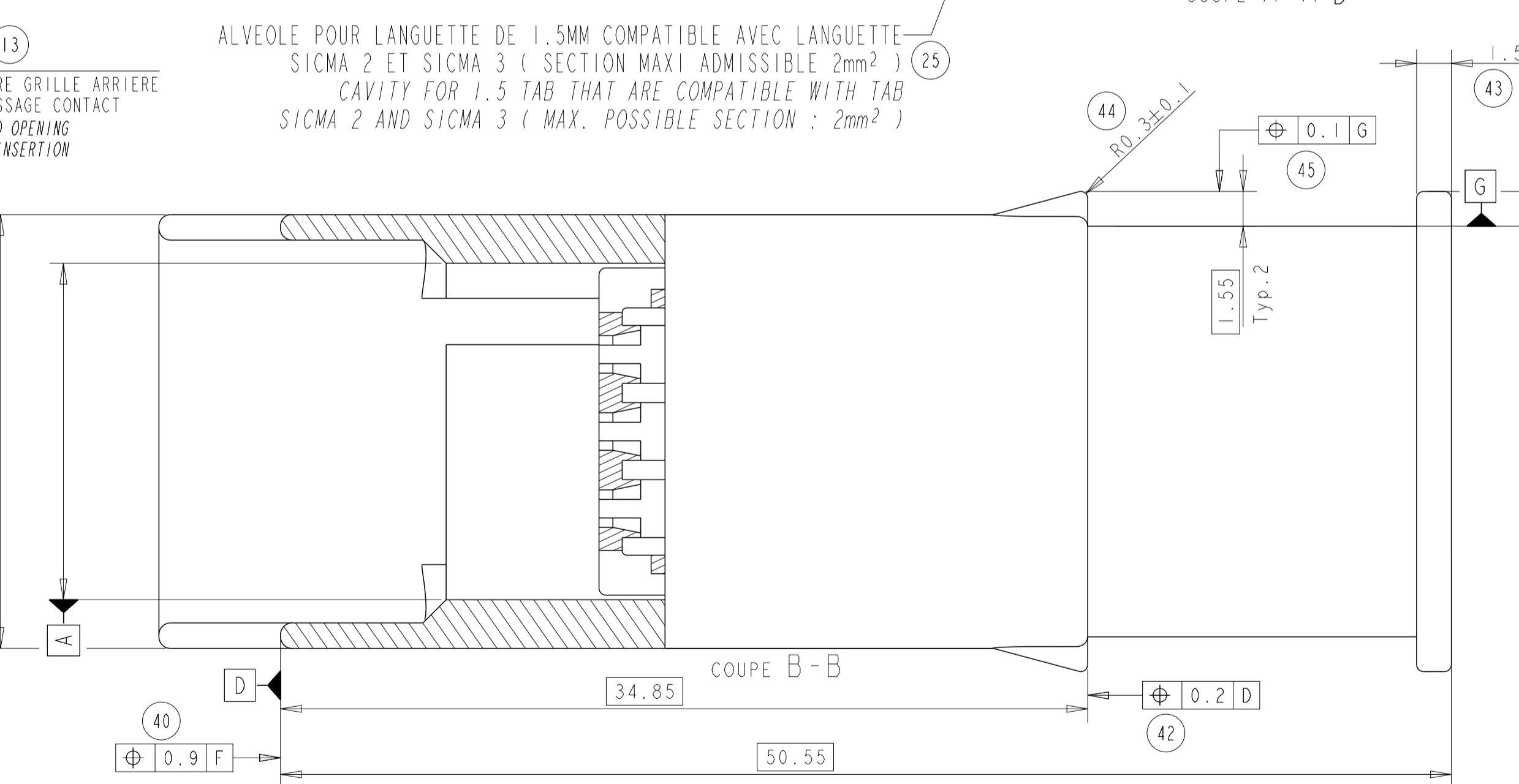
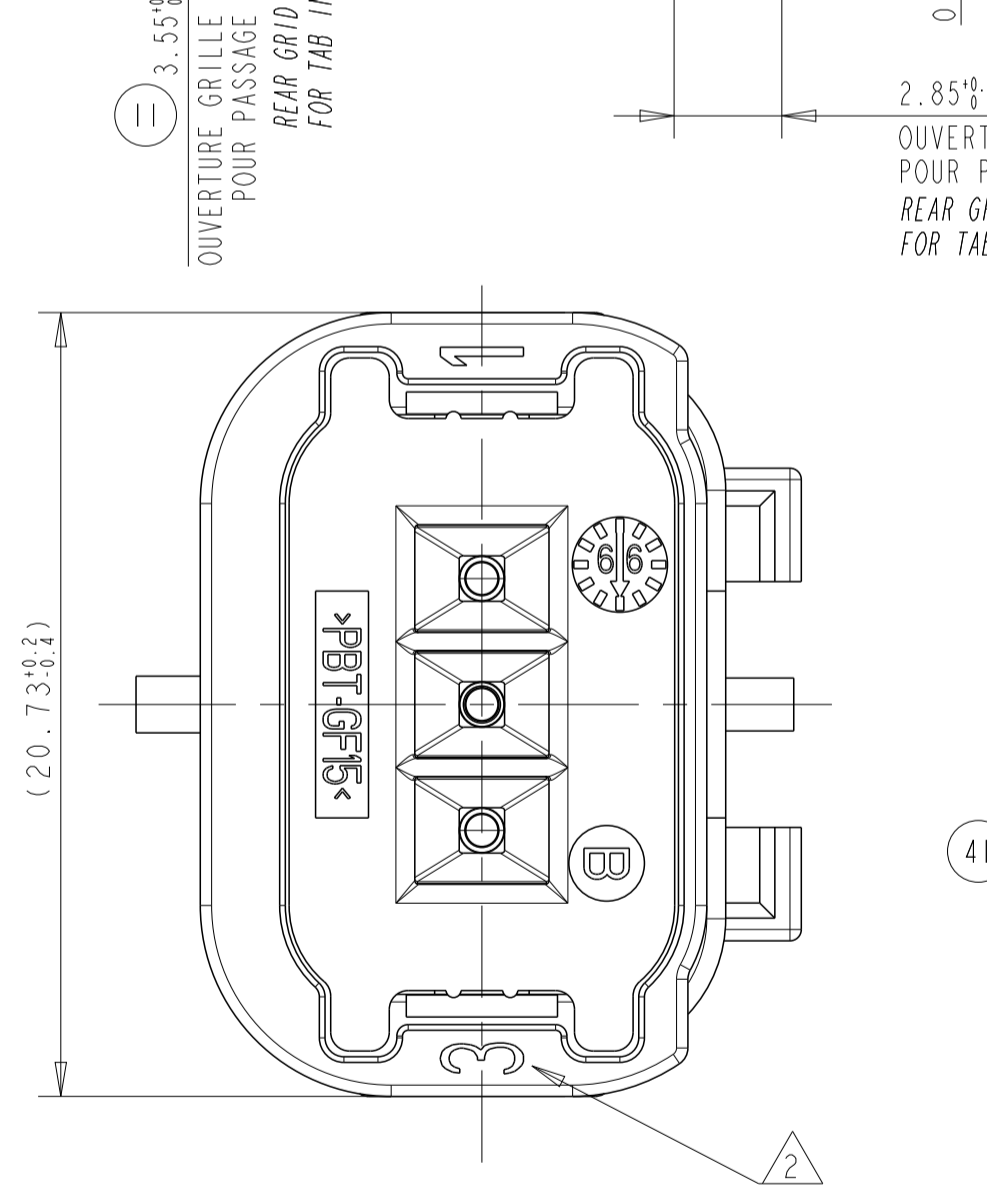
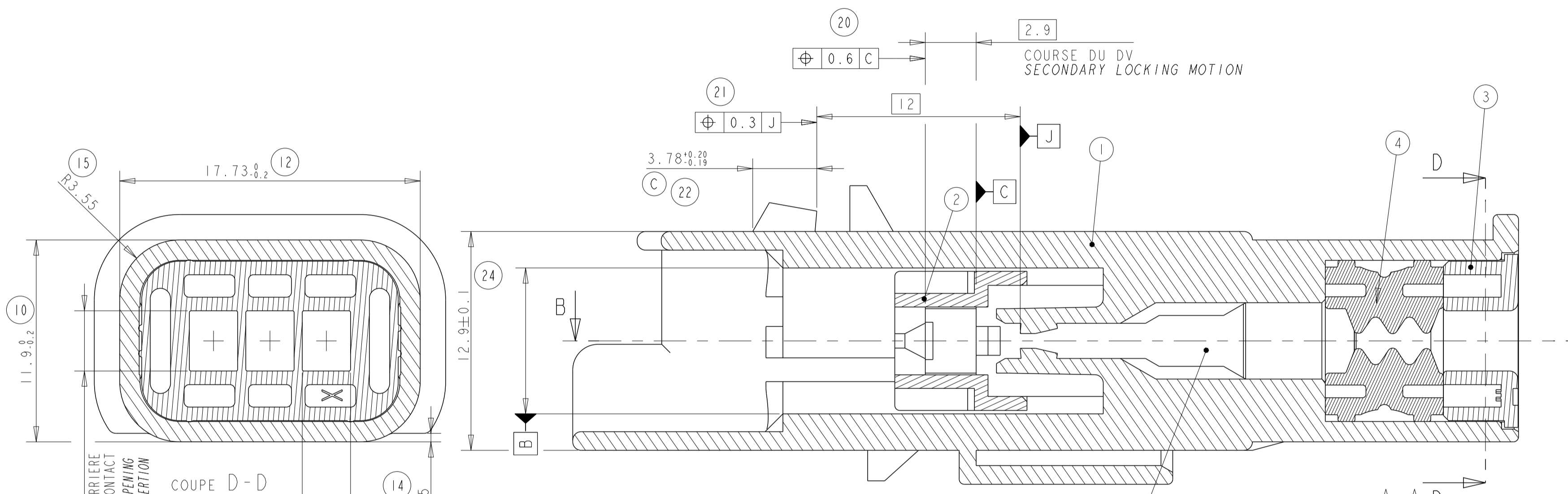
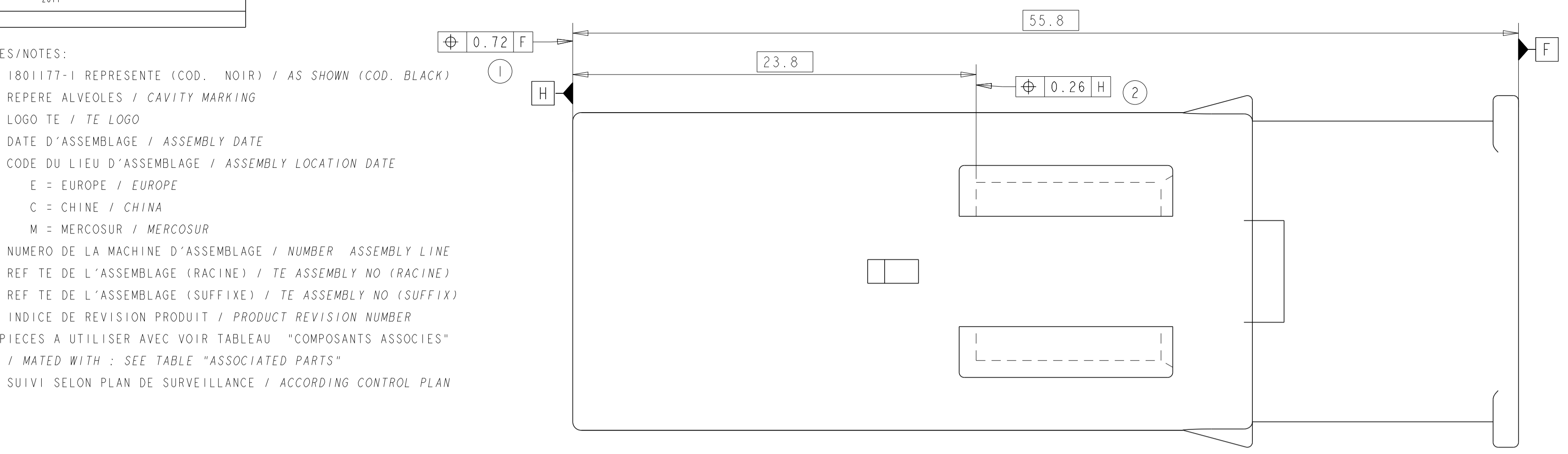
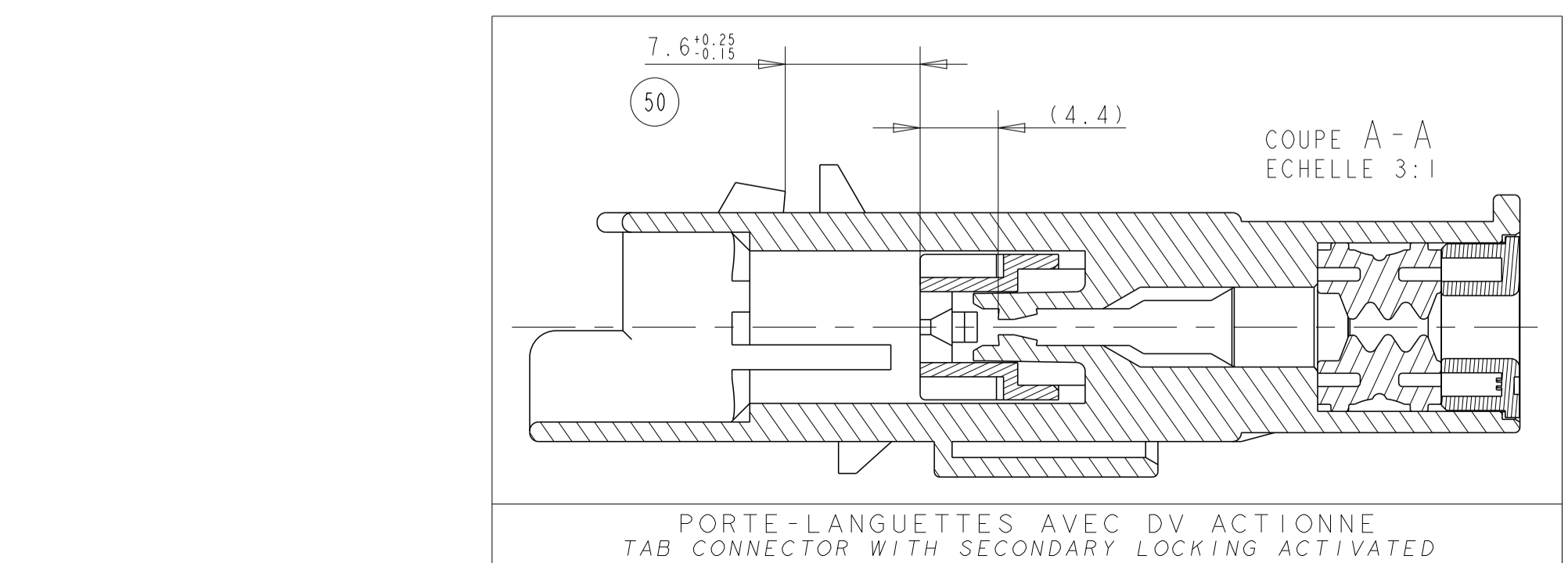
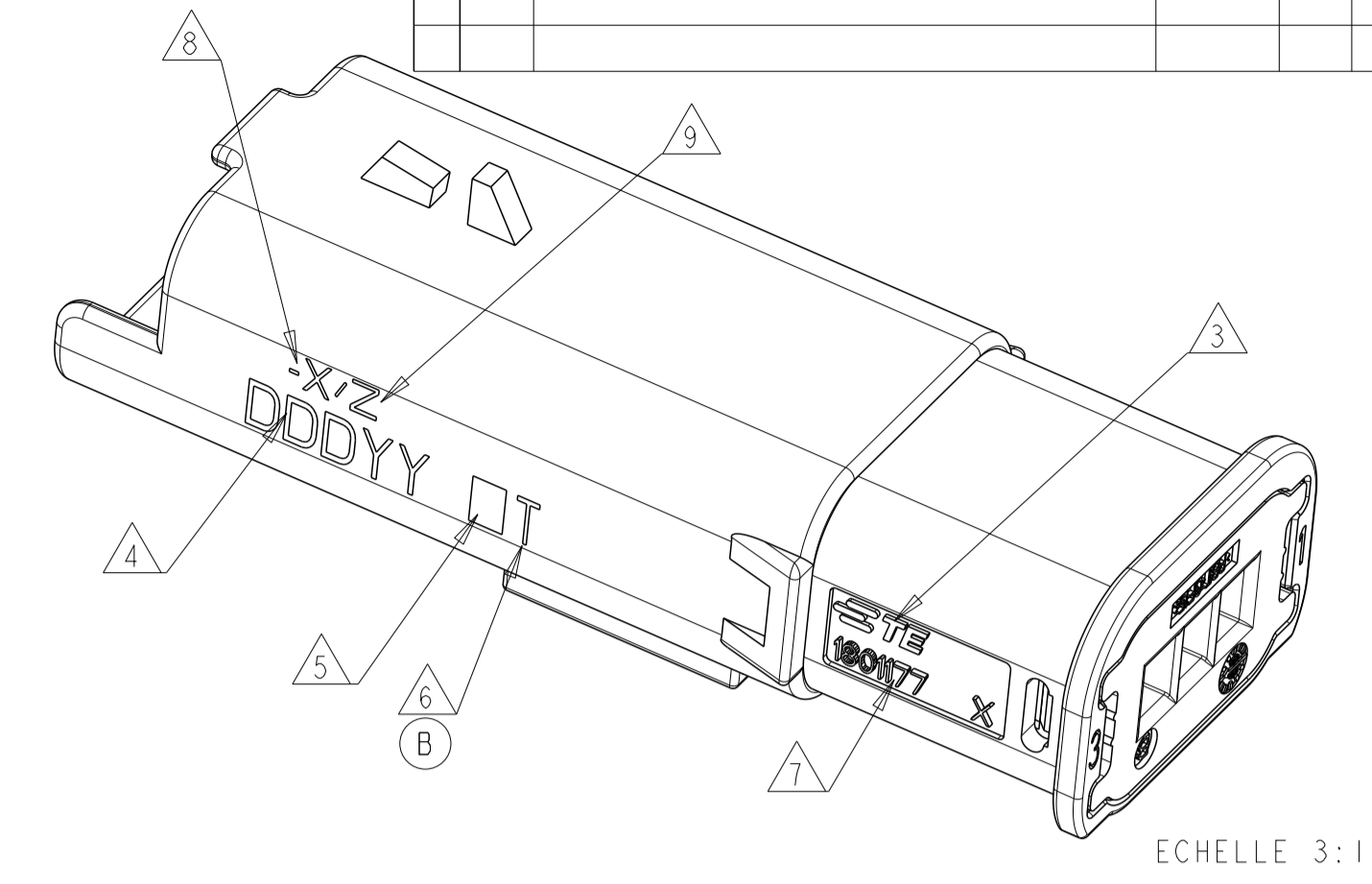


REF. TE TE NO	INDICE DE REVISION PRODUIT PRODUCT REVISION NUMBER	COULEUR COLOR	TOLERANCE POUR DETROMPAGE: ±0.05 KEYING TOLERANCE
1801177-1	B	NOIR BLACK	
1801177-2	B	BLEU BLUE	
1801177-3	B	GRIS GREY	
1801177-4	B	JAUNE YELLOW	
1801177-5	B	VERT GREEN	
1801177-6	B	MARRON BROWN	

NOTES/NOTES:
 1- 1801177-1 REPRESENTE (COD. NOIR) / AS SHOWN (COD. BLACK)
 2- REPERE ALVEOLES / CAVITY MARKING
 3- LOGO TE / TE LOGO
 4- DATE D'ASSEMBLAGE / ASSEMBLY DATE
 5- CODE DU LIEU D'ASSEMBLAGE / ASSEMBLY LOCATION DATE
 E = EUROPE / EUROPE
 C = CHINE / CHINA
 M = MERCOSUR / MERCOSUR
 6- NUMERO DE LA MACHINE D'ASSEMBLAGE / NUMBER ASSEMBLY LINE
 7- REF. TE DE L'ASSEMBLAGE (RACINE) / TE ASSEMBLY NO (RACINE)
 8- REF. TE DE L'ASSEMBLAGE (SUFFIXE) / TE ASSEMBLY NO (SUFFIXE)
 9- INDICE DE REVISION PRODUIT / PRODUCT REVISION NUMBER
 10- PIECES A UTILISER AVEC VOIR TABLEAU "COMPOSANTS ASSOCIES"
 / MATED WITH : SEE TABLE "ASSOCIATED PARTS"
 SUIVI SELON PLAN DE SURVEILLANCE / ACCORDING CONTROL PLAN



LOC	DIST	REV	DATE	APPV
F	00	B	21NOV2011	FJ XR
		C	17MAY2016	FJ XR



SECTION CABLE ADMISSIBLE PAR CONTACT
ACCEPTABLE CABLE SECTIONS PER CONTACT
 La section des câbles utilisés doit être comprise entre 0,5 et 2mm²
 (∅fil mini= 1,40mm; ∅fil Maxi= 2,80mm)
 The cross-section of the cables used must be between 0,5 and 2mm²
 (∅wire min= 1,40mm; ∅wire Max= 2,80mm)

DESCRIPTION	TITLE	TE NO
CAPOT FIXE 3 VOIES - SORTIE GAUCHE/DROITE FIXED COVER 3 WAYS - LEFT/RIGHT EXIT	POUR GAINNE ANNELEE DE 6mm FOR CORRUGATED TUBE OF 6mm	1801467-1
CAPOT FIXE 3 VOIES - SORTIE HAUT/BAS FIXED COVER 3 WAYS - UP/DOWN EXIT	POUR GAINNE ANNELEE DE 4.5mm FOR CORRUGATED TUBE OF 4.5mm	1-1801467-2
CAPOT FIXE 3 VOIES - SORTIE AXIALE FIXED COVER 3 WAYS - EXIT IN LINE	POUR GAINNE ANNELEE DE 6mm FOR CORRUGATED TUBE OF 6mm	1801168-5
CAPOT ROTATIF 90 DEG. 3 VOIES ROTATIVE COVER 90 DEG. 3 WAYS	POUR GAINNE ANNELEE DE 6mm FOR CORRUGATED TUBE OF 6mm	1801468-1
CAPOT ROTATIF 90 DEG. 3 VOIES ROTATIVE COVER 90 DEG. 3 WAYS	POUR GAINNE ANNELEE DE 4.5mm FOR CORRUGATED TUBE OF 4.5mm	1-1801468-1
SUPPORT (*) ADAPTER		1801359-1
PORTE-CLIPS 3 VOIES SPRING LOCK 3WAYS RECEPTACLE CONNECTOR SPRING LOCK		1801179-X
PORTE-CLIPS 3 VOIES HP 3 WAYS RECEPTACLE CONNECTOR HP		X-1801178-X

(*) : POUR LE CAPOT ROTATIF, PRENDRE: SUPPORT + CAPOT
 FOR THE ROTATIVE COVER, TAKE: ADAPTER + COVER

COULEUR COLOR	MATIERE MATERIAL	DESCRIPTION TITLE	REP. ITEM
VERT GREEN	SILICONE LUBRIFIE A 5% ; DURETE 30 SHORE A LUBRIFICATED SILICON TO 5% ; HARDNESS 30 SH. A	JOINT GROMMET GROMMET SEAL	4
NOIR BLACK	PBT-GF15 (MATIERE: HB) (HB MATERIAL)	GRILLE ARRIERE REAR GRID	3
JAUNE YELLOW	PBT-GF15 (MATIERE: HB) (HB MATERIAL)	DOUBLE VERROUILLAGE SECONDARY LOCKING	2
VOIR TABLEAU DES REF. SEE TABLE OF PART NO	PBT-GF15 (MATIERE: HB) (HB MATERIAL)	PORTE-LANGUETTES CODAGE (VOIR TABLEAU DES REF.) TAB HOUSING CODING (SEE TABLE OF PART NO)	1

THIS DRAWING IS A CONTROLLED DOCUMENT. DWG: JODON 02JUN2009
 CHK: X. ROULLIARD 04JUN2009
 APPV: X. ROULLIARD 04JUN2009
 PRODUCT SPEC: 108-15378
 APPLICATION SPEC: MEO-1801174-PSA
 WEIGHT: 8,7g
 CUSTOMER DRAWING

TE TE Connectivity
 NAME: 3 WAYS TAB CONNECTOR HP
 PORTE-LANGUETTES 3 Voies HP
 SIZE: A1
 CAGE CODE: 00779
 DRAWING NO: 1801177
 SCALE: 5:1
 SHEET: 1 OF 1
 REV: C