

METRIC NUMBER 179862

PRINT DIST. ALL DIMENSIONS IN MM. DO NOT SCALE PRINT

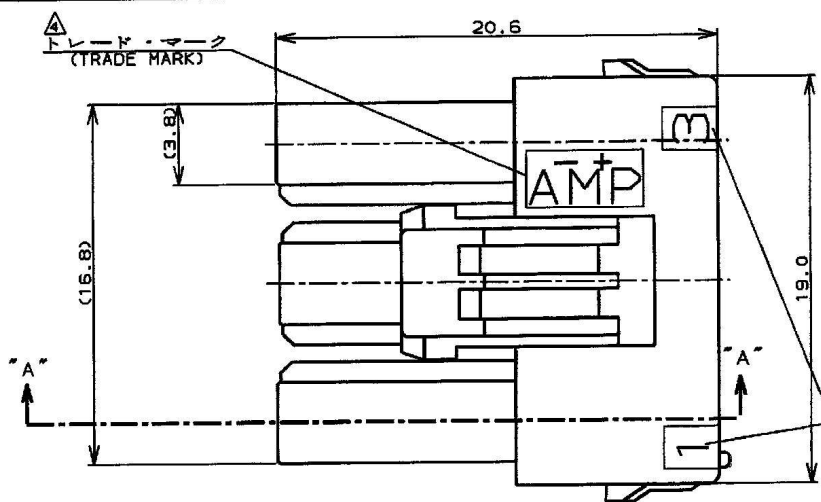
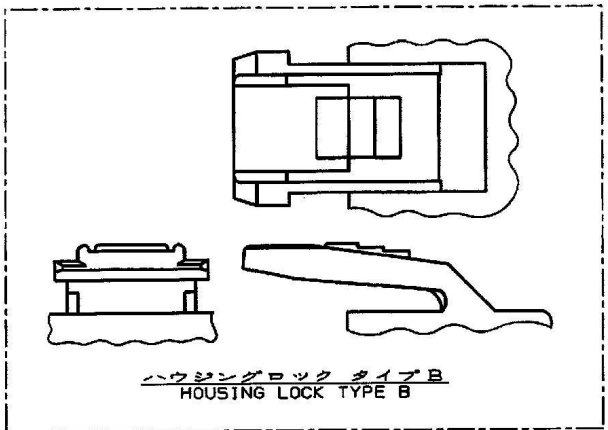
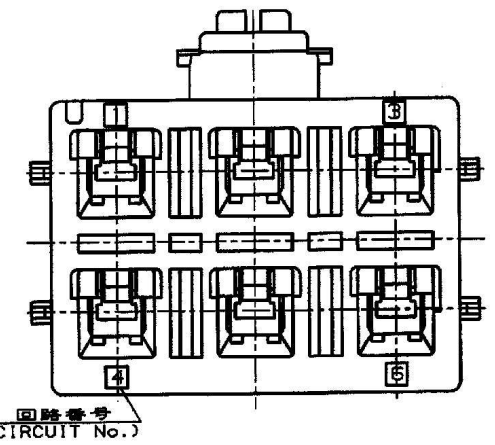
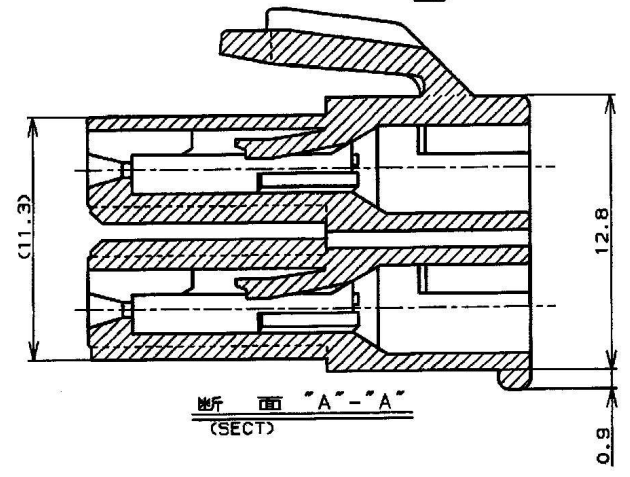
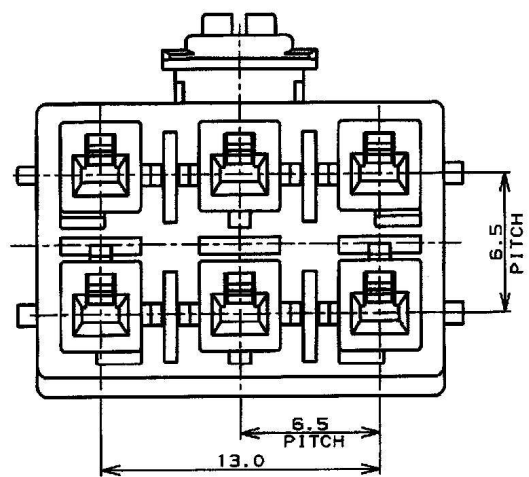


表1 (TABLE 1)

トレードマーク (TRADE MARK)	生産場所 (MANUFACTURING PLACE)
—AMP OR AMP	日本 (JAPAN)
—+AMP OR AMP	中国 (CHINA(PO))
*AMP OR AMP	韓国 (KOREA)



本図 ハウジングロック タイプ A  
AS SHOWN HOUSING LOCK TYPE A

HOUSING LOCK	HOUSING COLOR	Pos.	P/N
"B"	青 (BLUE)	6	2-179862-6
	黄 (YELLOW)	6	2-179862-4
	自然色 (NATURAL) <白色> (WHITE)	6	2-179862-1
"A"	自然色 (NATURAL)	6	5-179862-1
	青 (BLUE)	6	179862-6
	黄 (YELLOW) <白色> (WHITE)	6	179862-4

- NOTES,
1. APPLICABLE CONTACT P/N  
REC CONTACT: 177915-[K\*20-#16AWG]  
: 177914-[K\*26-#22AWG]
  2. MATING CONN, P/N  
HDR ASS'Y: 179849-1
  3. PRODUCT SPEC : 108-5410
  - △ SEE TABLE 1
  5. ALL PARTS MEET RTI ELECTRICAL RATING OF 105C ACCORDING TO UL 1977
  6. PART 5-179862-1 COMPLY WITH GLOW WIRE REQUIREMENT FOR PARTS OF NON-METALLIC MATERIAL SUPPORTING A CURRENT-CARRYING CONNECTION DETAILED IN IEC 60335-1, SECTION 30(GWT).
  7. APPLICABLE DOUBLE LOCK PLATE: 316062-X

D4	ECR-24-201174	KD	D.Z	08MAR 2024
D3	ECR-24-198204	KD	D.Z	31JAN 2024
D2	REVISED ECR-13-012146	A.Z	F.M	14AUG 13
D1	REVISED ECR-12-013854	A.Z	F.M	22AUG 12
D	REVISED FJ00-1369-01	M	M	13JUL 01
C	REVISED FJ00-0953-98	TS	M	24SEP 98
B	REVISED FJ00-5378-95	N.Y	Y.K	24SEP 95
A	REVISED FJ00-3123-95	N.Y	Y.K	30.AUG 95
O	RELEASED FJ00-1170-84	N.Y	Y.K	8.SEP '84
LTR	変更 (REVISION RECORD)	DR	CHK	DATE

**AMP** Tyco Electronics AMP K.K. Kawasaki, Japan

名称 (NAME) AMP POWER DOUBLE LOCK CONN.  
6.5mmピッチ プラグハウジング (2列タイプ)  
AMP POWER DOUBLE LOCK CONN. 6.5mm PITCH PLUG HOUSING 6 Pos (DBL ROW)  
一線公差

SIZE LOC 番号 (No.)  
A3 J C-179862

10mm下: ±0.2  
10mm上-30mm下: ±0.25  
30mm上-100mm下: ±0.3  
角 度: ±3°

尺 度 (SCALE) REV. D4 SHEET 1 OF 1

DR. N. YAMASAKI DE. N. YAMASAKI  
CHK. Y. KASHIWA APP. Y. KASHIWA