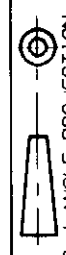


NUMBER 178696

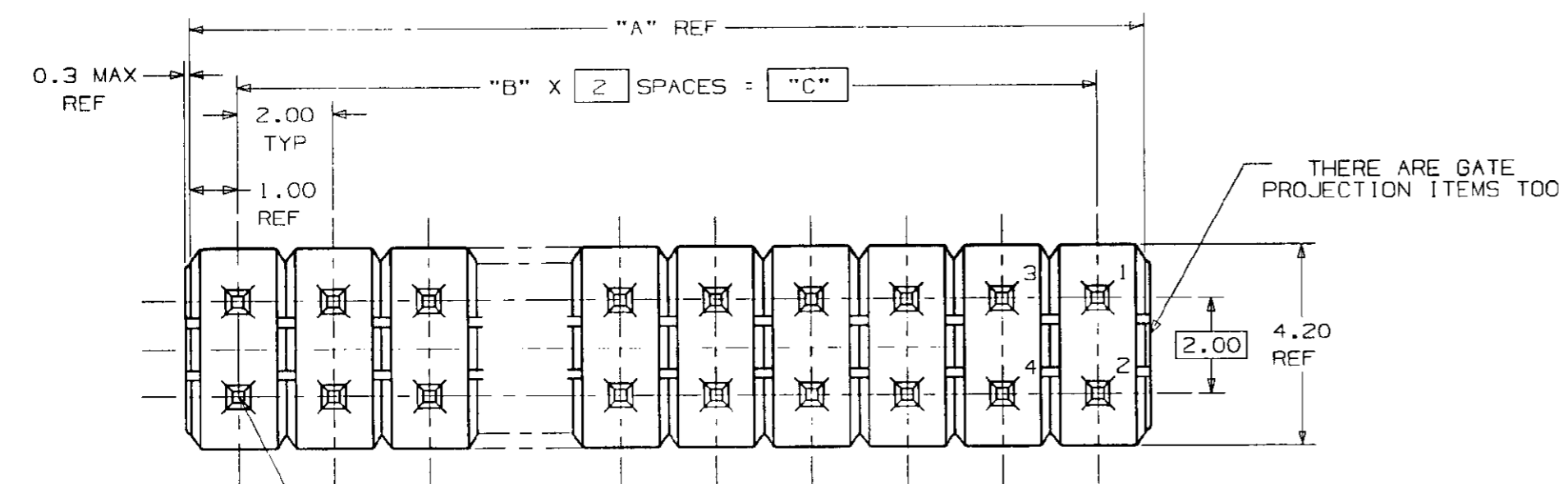


METRIC

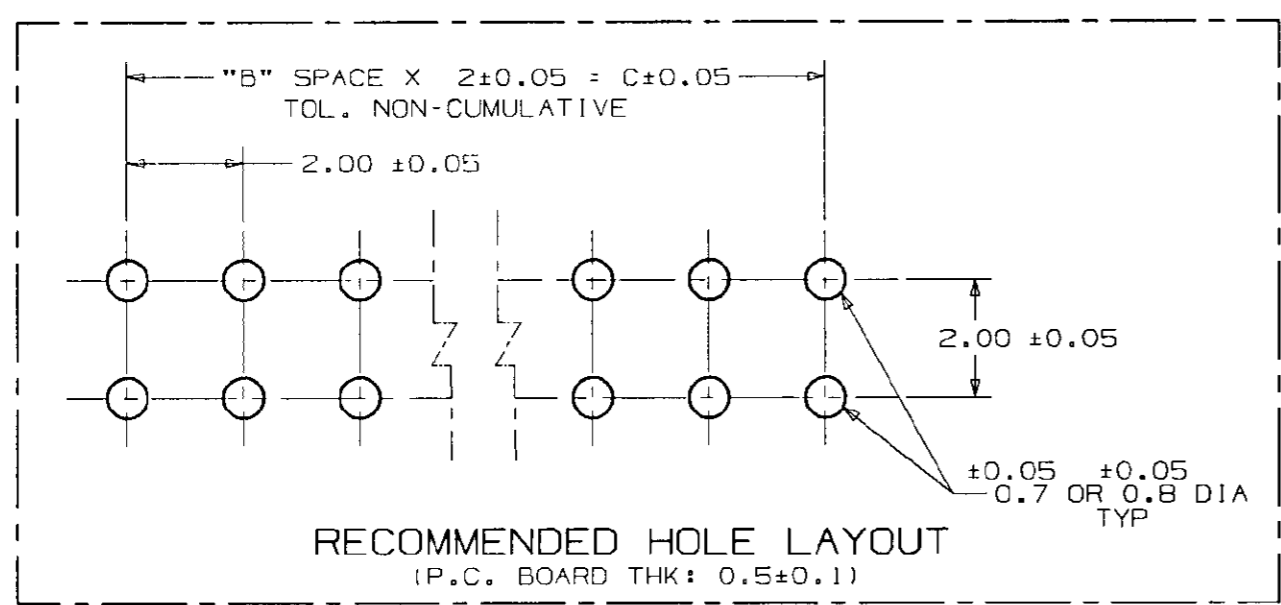
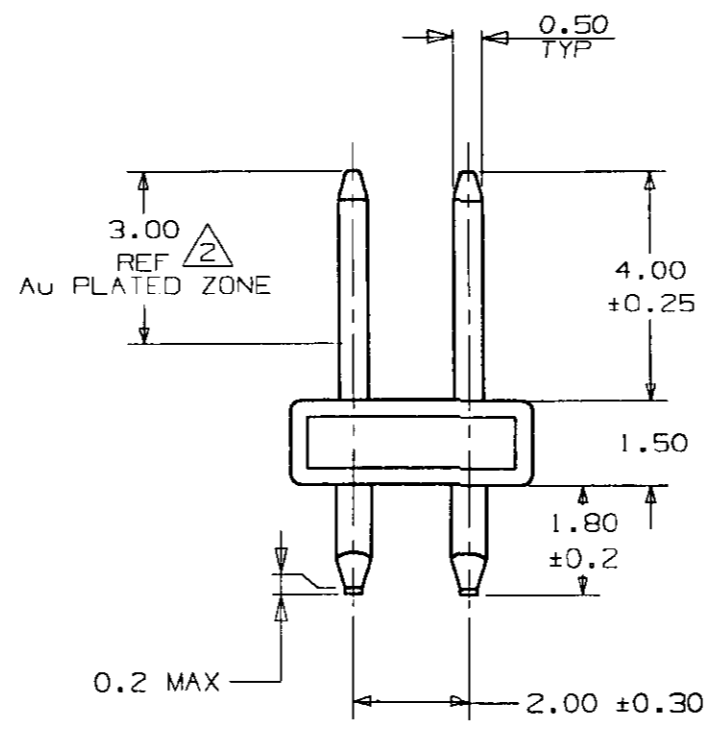
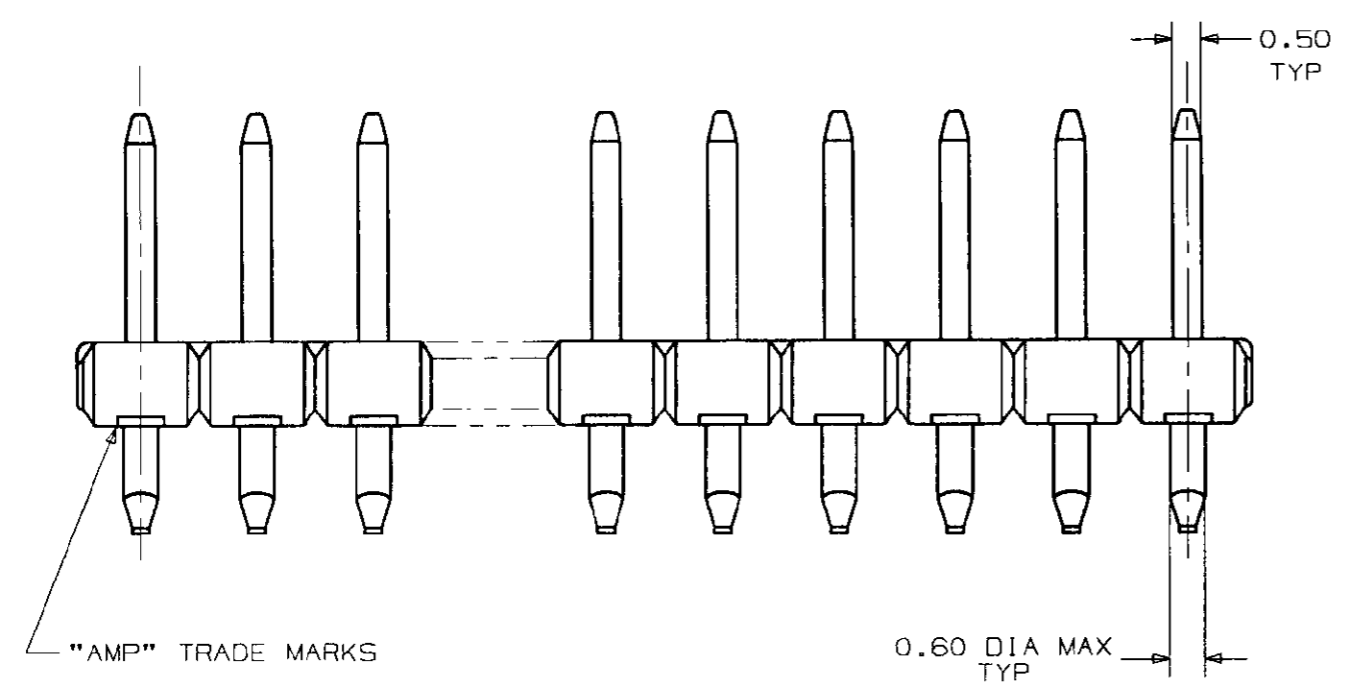
CONFIDENTIAL INFORMATION

DIMENSIONS IN MILLIMETERS. DO NOT SCALE PRINT

PRINT DIST



Ø 0.6 TOTAL  
TYP POST TIP



NOTES:

- 1 MATERIAL HOUSING: THERMOPLASTIC, UL94V-0, POST: BRASS
- 2 FINISH CONTACT AREA, 'D' MIN AU ON NICKEL 0.0013 MIN ALL OVER POST TINE: 0.001 MIN TIN-LEAD

2,4,6,8	0.0002	6	3	8	8	5-	-0
5,6,26	0.0002	48	24	50	50	4-	-9
NIL	↑	48	24	50	50	4-	-8
		46	23	48	48	4-	-7
		44	22	46	46	4-	-6
		42	21	44	44	4-	-5
		40	20	42	42	4-	-4
		38	19	40	40	4-	-3
		36	18	38	38	4-	-2
		34	17	36	36	4-	-1
		32	16	34	34	4-	-0
		30	15	32	32	3-	-9
		28	14	30	30	3-	-8
		26	13	28	28	3-	-7
		24	12	26	26	3-	-6
		22	11	24	24	3-	-5
		20	10	22	22	3-	-4
		18	9	20	20	3-	-3
		16	8	18	18	3-	-2
		14	7	16	16	3-	-1
		12	6	14	14	3-	-0
		10	5	12	12	2-	-9
		8	4	10	10	2-	-8
		6	3	8	8	2-	-7
		4	2	6	6	2-	-6
	0.00078	2	1	4	4	2-	-5
	↑	48	24	50	50	2-	-4
		46	23	48	48	2-	-3
		44	22	46	46	2-	-2
		42	21	44	44	2-	-1
		40	20	42	42	2-	-0
		38	19	40	40	1-	-9
		36	18	38	38	1-	-8
		34	17	36	36	1-	-7
		32	16	34	34	1-	-6
		30	15	32	32	1-	-5
		28	14	30	30	1-	-4
		26	13	28	28	1-	-3
		24	12	26	26	1-	-2
		22	11	24	24	1-	-1
		20	10	22	22	1-	-0
		18	9	20	20		-9
		16	8	18	18		-8
		14	7	16	16		-7
		12	6	14	14		-6
		10	5	12	12		-5
		8	4	10	10		-4
		6	3	8	8		-3
		4	2	6	6		-2
	0.0002	2	1	4	4		178696-1

PIN # OMITTED	"D"	"C"	"B" SPACES	"A" REF	NO OF POS	ASS'Y P/N
---------------	-----	-----	------------	---------	-----------	-----------

Copyright ©1991 AMP MFG SINGAPORE PTE LTD. ALL RIGHTS RESERVED

**AMP** AMP MANUFACTURING SINGAPORE PRIVATE LIMITED

WIRE RANGE	INSULATION DIA	NAME
mm <sup>2</sup> (AWG - )	mm	AMPMODU 2MM PITCH POST HOR, V-TYPE, L=1.8
MATERIAL	FINISH	GENERAL TOLERANCE
SEE NOTE 1	SEE NOTE 2	0.2
DR. I.ENOMOTO	DE. I.ENOMOTO	10.0 ±0.2
CHK. T.DOI	APP. T.DOI	30.0 ±0.25
DATE 27MAY91	DATE 27MAY91	100 ±0.3
		ANGLES ±3°

SIZE	LOC	NUMBER
A2	DY	178696
SCALE	REV.	SHEET
8:1	A	1 OF 1

CUSTOMER DRAWING