

THIS DRAWING IS UNPUBLISHED.

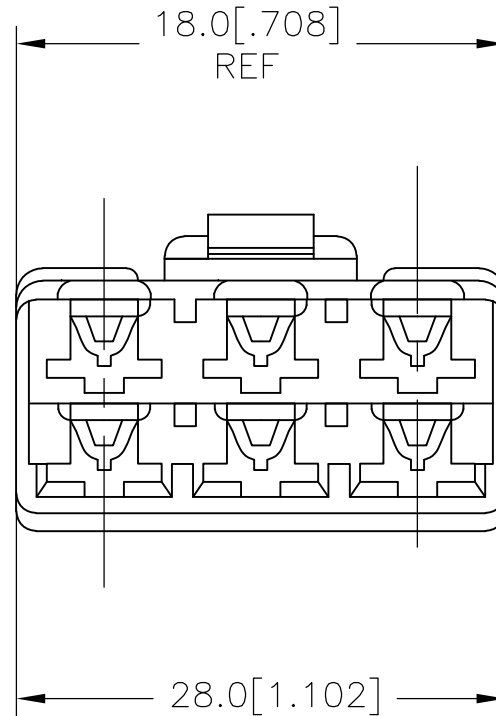
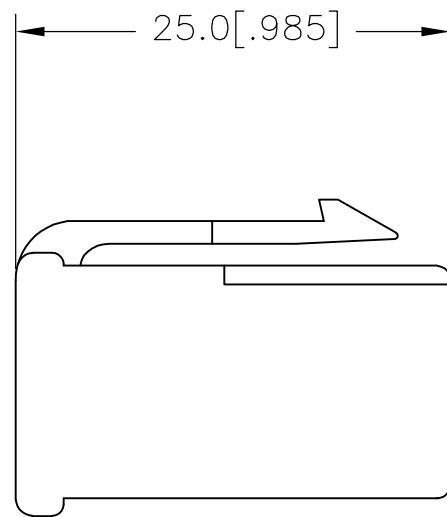
RELEASED FOR PUBLICATION

ALL RIGHTS RESERVED.


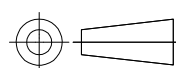
© COPYRIGHT - By -

REVISIONS

P	LTR	DESCRIPTION	DATE	DWN	APVD
	A	NEW DRAWING	30NOV2016	RS	TD



LIGHT-GRAY	6-178023-6
ORANGE	178023-8
YELLOW	178023-7
GRAY	178023-6
BLUE	178023-5
GREEN	178023-4
BLACK	178023-2
NATURAL(WHITE)	178023-1
COLOUR	PART NUMBER

THIS DRAWING IS A CONTROLLED DOCUMENT.		DWN RAVI S 30NOV2016	 <b>TE Connectivity</b>						
DIMENSIONS: mm [INCHES]		CHK LI DAISY 30NOV2016				NAME .250 DBL LOCK CONN. 5POS PLUG HSG			
		APVD DING TIM 30NOV2016				PRODUCT SPEC -			
TOLERANCES UNLESS OTHERWISE SPECIFIED:		APPLICATION SPEC -				RESTRICTED TO -			
MATERIAL 66 NYLON		FINISH SEE TABLE	WEIGHT -	SIZE A3	CAGE CODE 00779	DRAWING NO C-178023	SCALE NTS	SHEET 1 OF 1	REV A
CUSTOMER DRAWING									