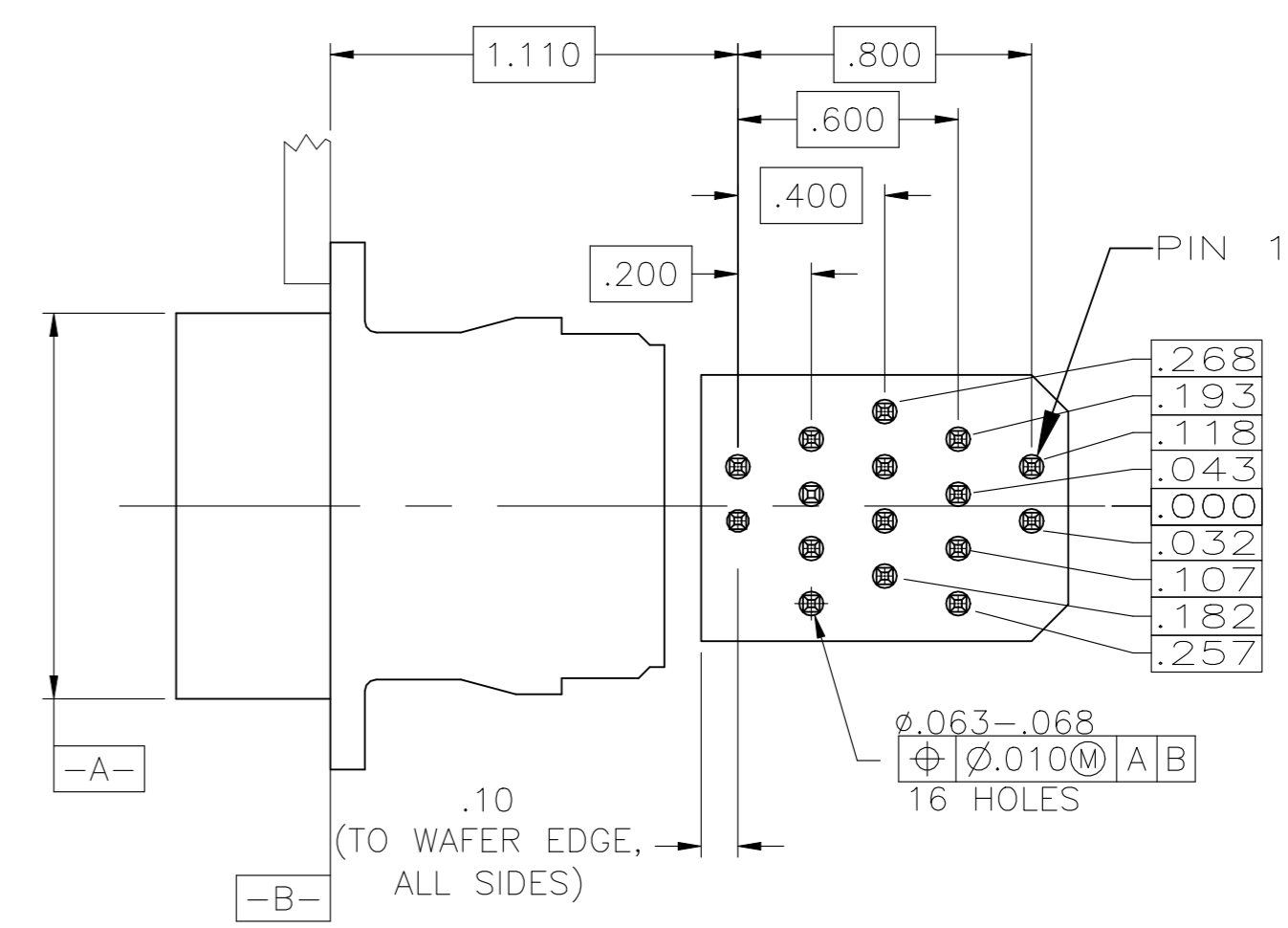
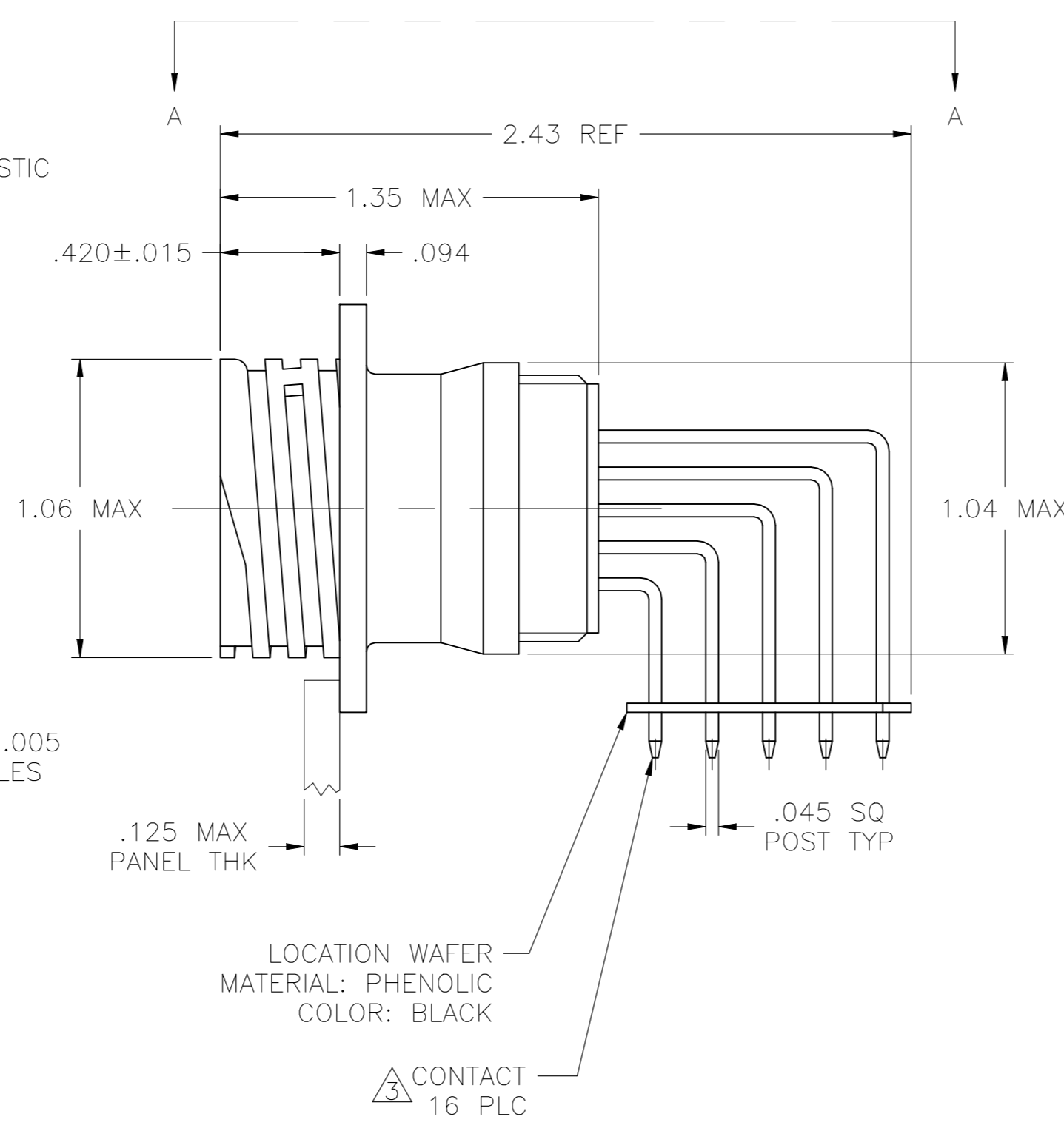
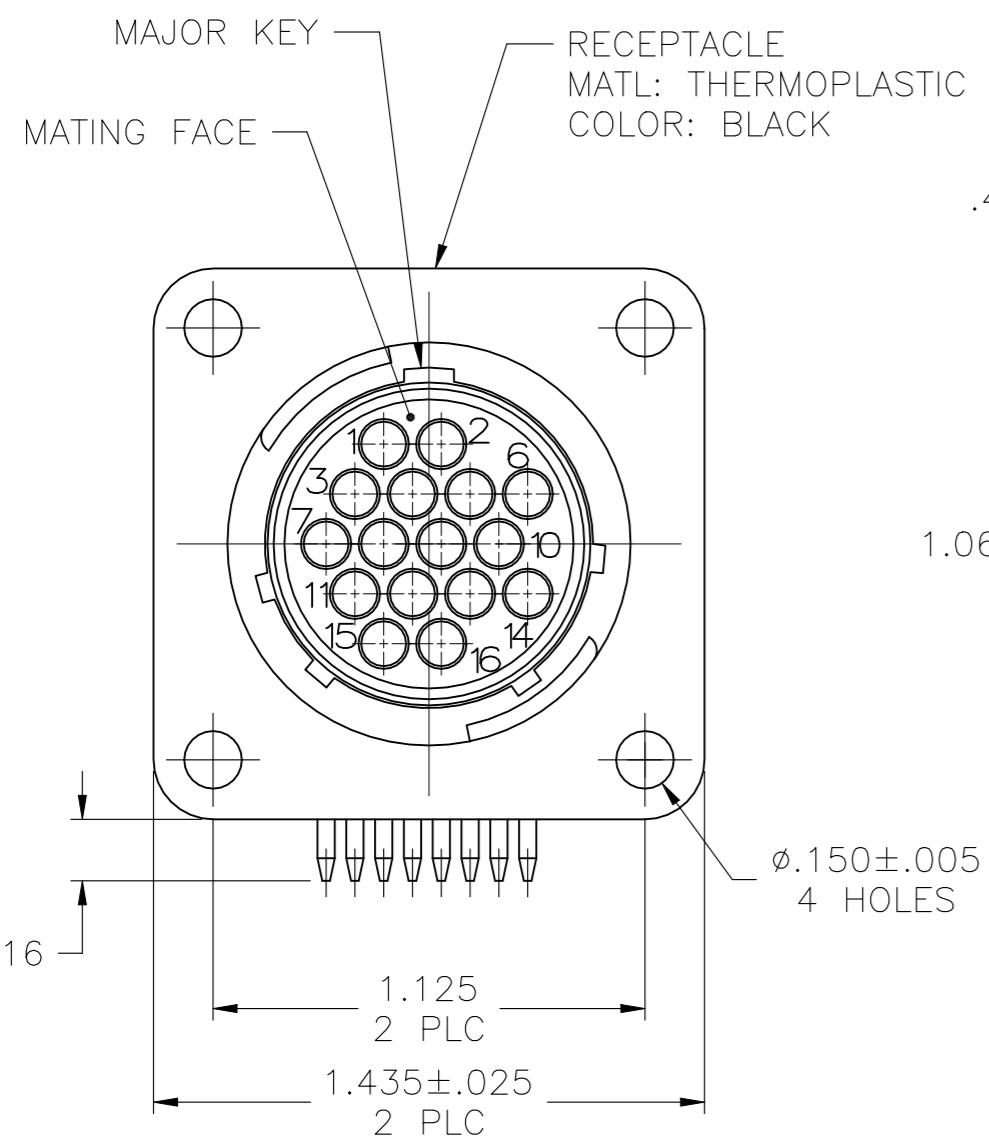
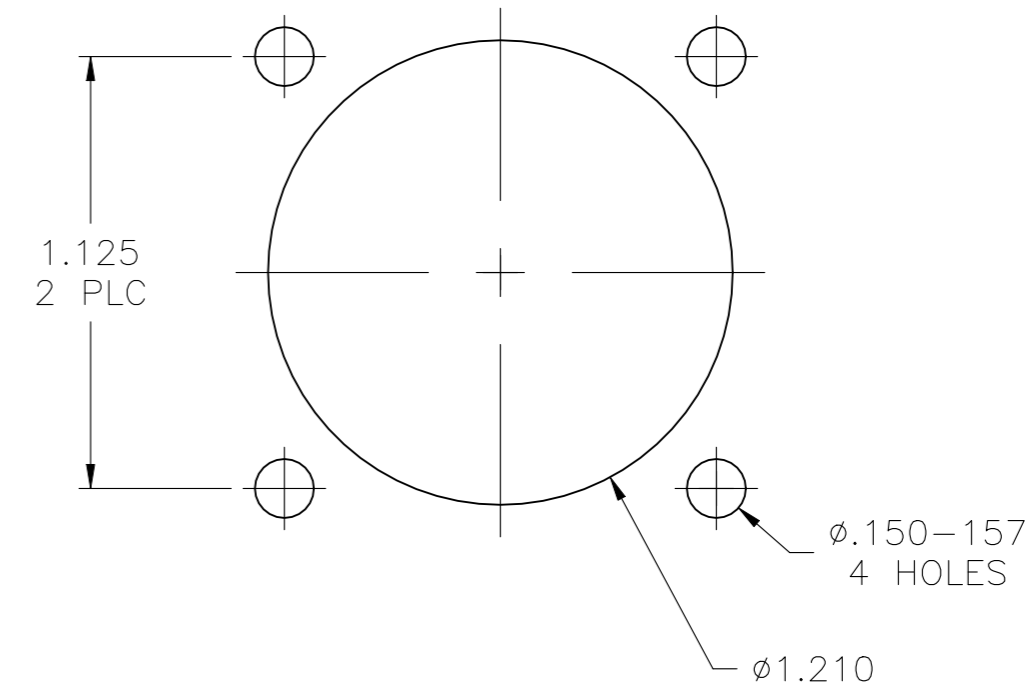


REVISIONS					
P	LTR	DESCRIPTION	DATE	DWN	APVD
B		ECO-21-001739	08FEB2021	RK	MZ



VIEW A-A RECOMMENDED PC BOARD LAYOUT 4



RECOMMENDED PANEL CUTOUT

- CONTACT CAVITIES IDENTIFIED BY CHARACTERS ON FRONT AND REAR FACES OF CONNECTOR.
  - #6 FASTNER RECOMMENDED FOR MOUNTING.
- 3 CONTACT BODY: .000030 MIN GOLD FOR A LENGTH OF .250 MIN FROM MATING END, WITH REMAINDER TO BE GOLD FLASH, BOTH OVER .000050 MIN NICKEL. CONTACT POST: .000100 MIN TIN OVER MIN COPPER.
- 4 PC BOARD HOLE PATTERN IS DEFINED RELATIVE TO CONNECTOR C.L. AND PANEL MOUNTING FACE INDICATED.

1776904

1776904-1 PART NUMBER

THIS DRAWING IS A CONTROLLED DOCUMENT.		DWN	S SCHLEGEL	10/4/06	TE Connectivity		
DIMENSIONS: INCHES		CHK	S HEADER	10/4/06			
TOLERANCES UNLESS OTHERWISE SPECIFIED:		APVD	S HEADER	10/4/06	NAME		
0 PLC	± -	PRODUCT SPEC		RECEPTACLE ASSEMBLY, POSTED, RT ANGLE, STD SEX, SIZE 17-16, SERIES 1, CPC			
1 PLC	± -	APPLICATION SPEC		SIZE	CAGE CODE	DRAWING NO	RESTRICTED TO
2 PLC	± .03	MATERIAL		A2	00779	C=1776904	-
3 PLC	± .010	FINISH		CUSTOMER DRAWING			SCALE
4 PLC	± -	WEIGHT		2:1			SHEET
ANGLES	± -	WEIGHT		1 of 1			REV
		WEIGHT		B			