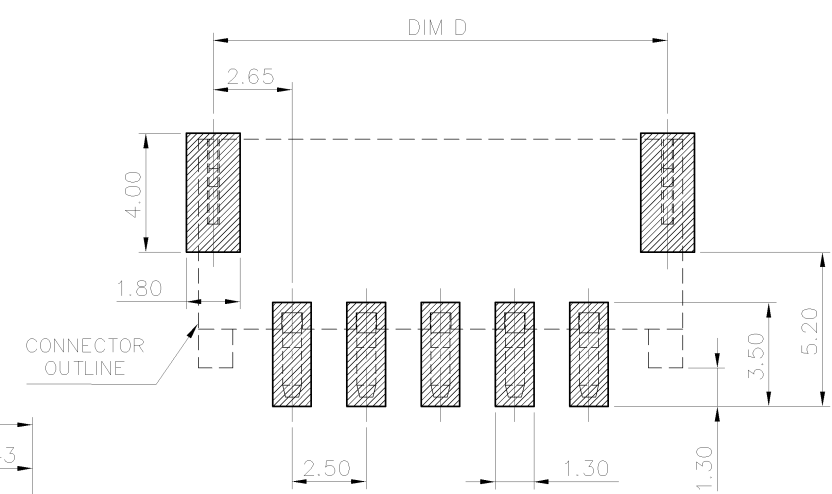
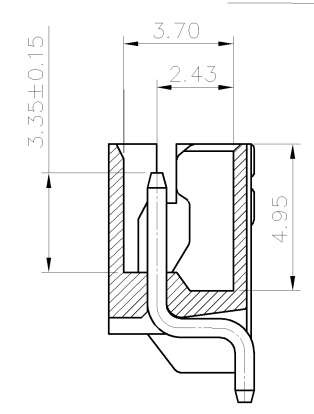
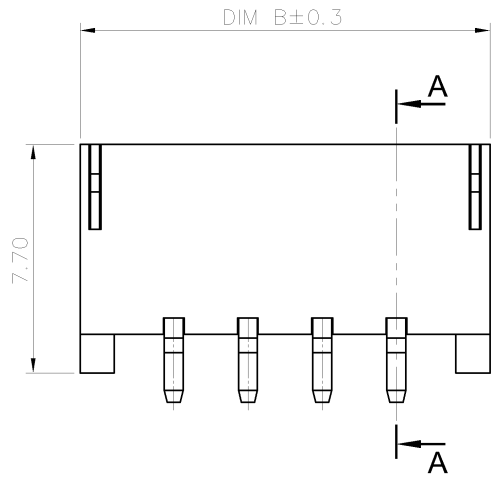
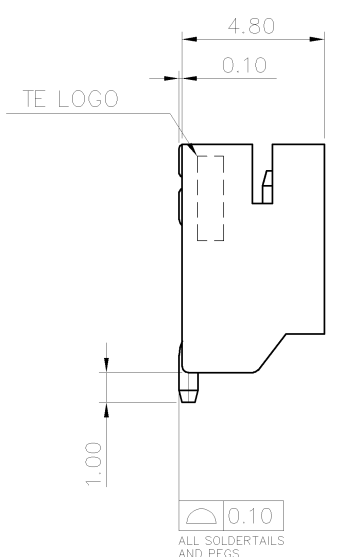
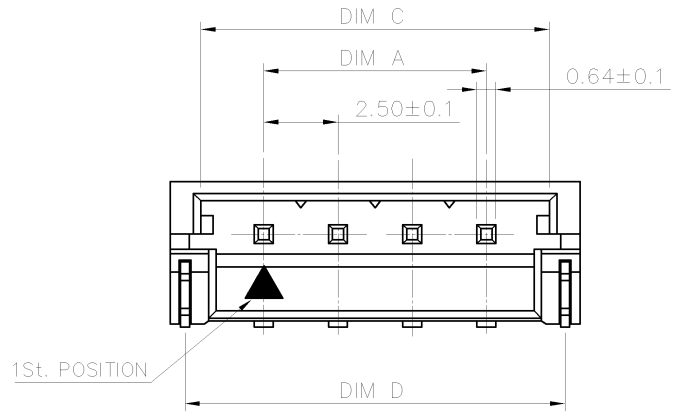


THIS DRAWING IS UNPUBLISHED. RELEASED FOR PUBLICATION  
 © COPYRIGHT - BY TYCO ELECTRONICS CORPORATION. ALL RIGHTS RESERVED.

LOC	DIST	REVISIONS					
DW	-	P	LTR	DESCRIPTION	DATE	DWN	APVD
		A1		REVISED (ECR-11-016281)	09AUG11	JL	WK



RECOMMENDED PCB LAYOUT

40.3	39.2	41.3	35.00	15	1-1775316-5
37.8	36.7	38.8	32.50	14	1-1775316-4
35.3	34.2	36.3	30.00	13	1-1775316-3
32.8	31.7	33.8	27.50	12	1-1775316-2
30.3	29.2	31.3	25.00	11	1-1775316-1
27.8	26.7	28.8	22.50	10	1-1775316-0
25.3	24.2	26.3	20.00	9	1775316-9
22.8	21.7	23.8	17.50	8	1775316-8
20.3	19.2	21.3	15.00	7	1775316-7
17.8	16.7	18.8	12.50	6	1775316-6
15.3	14.2	16.3	10.00	5	1775316-5
12.8	11.7	13.8	7.50	4	1775316-4
10.3	9.2	11.3	5.00	3	1775316-3
7.8	6.7	8.8	2.50	2	1775316-2
DIM D	DIM C	DIM B	DIM A	POS.	PART NUMBER

- NOTE:
- MATERIAL:  
HOUSING: PA9T, VIRGIN, UL 94V-0, COLOR: NATURAL.  
CONTACTS: BRASS.
  - FINISH:  
CONTACTS: 2.0µm [80µ"] MIN. MATTE-TIN OVER 1.27µm [50µ"] MIN. NICKEL ON ENTIRE CONTACT.
  - REFLOW SOLDER CAPABLE TO 260°C PER E TEST SPEC. 109-201, CONDITION B.

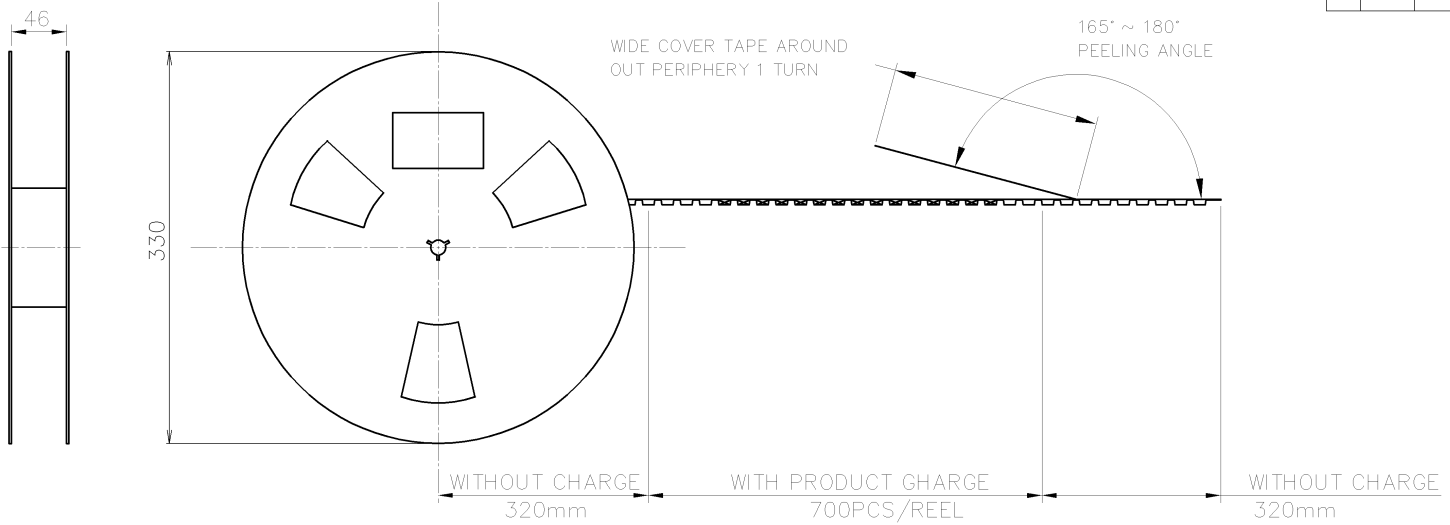


THIS DRAWING IS A CONTROLLED DOCUMENT.		DWN O. HU 10JAN2006	TE Connectivity			
DIMENSIONS: MM		CHK S. HOU 10JAN2006				
TOLERANCES UNLESS OTHERWISE SPECIFIED:		APVD W.J. KF 10JAN2006	NAME HPI CONN., 2.5MM PITCH R/A, SMT TYPE			
0 PLC ± - 1 PLC ± 0.25 2 PLC ± 0.15 3 PLC ± 0.05 4 PLC ± - ANGLES ± 3°		PRODUCT SPEC 108-57099	QUALIFICATION TEST REPORT			
MATERIAL SEE NOTE		501-57057	SIZE A3	CAGE CODE 00779	DRAWING NO C=1775316	RESTRICTED TO -
FINISH SEE NOTE		WEIGHT --	CUSTOMER DRAWING		SCALE -	SHEET 1 OF 2
					REV A1	

THIS DRAWING IS UNPUBLISHED. RELEASED FOR PUBLICATION  
 © COPYRIGHT - BY TYCO ELECTRONICS CORPORATION. ALL RIGHTS RESERVED.

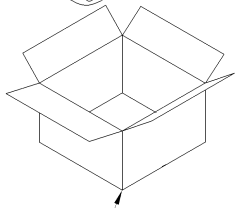
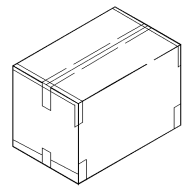
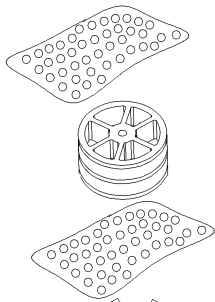
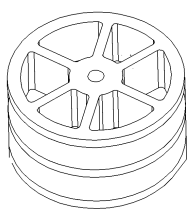
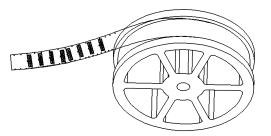
LOC	DW	DIST	REVISIONS					
			P	LTR	DESCRIPTION	DATE	DWN	APVD
					SEE SHEET 1.			

D

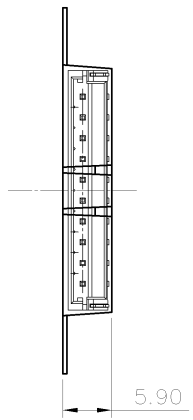
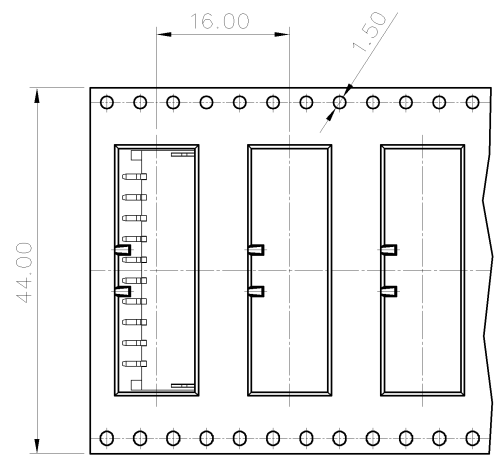


D

C



CARTON  
 335mm(L)\*335mm(W)\*160mm(H)



2,100	700	15	1-1775316-5
2,100	700	14	1-1775316-4
2,100	700	13	1-1775316-3
2,100	700	12	1-1775316-2
2,100	700	11	1-1775316-1
2,800	700	10	1-1775316-0
2,800	700	9	1775316-9
2,800	700	8	1775316-8
2,800	700	7	1775316-7
3,500	700	6	1775316-6
3,500	700	5	1775316-5
3,500	700	4	1775316-4
3,500	700	3	1775316-3
3,500	700	2	1775316-2
PCS/CARTON	PCS/REEL	POS.	PART NUMBER

B

A

THIS DRAWING IS A CONTROLLED DOCUMENT.

DIMENSIONS: MM	TOLERANCES UNLESS OTHERWISE SPECIFIED: 0 PLC ± - 1 PLC ± - 2 PLC ± - 3 PLC ± - 4 PLC ± - ANGLES ± -	DWN O. HU 10JAN2006	TE Connectivity <b>HPI CONN., 2.5MM PITCH R/A, SMT TYPE</b>
		CHK S. HOU 10JAN2006	
		APVD W.J. KE 10JAN2006	
		PRODUCT SPEC	
MATERIAL	FINISH	APPLICATION SPEC	NAME
		WEIGHT	SIZE
			CAGE CODE
			DRAWING NO
			RESTRICTED TO
			SCALE
			SHEET
			REV

CUSTOMER DRAWING  
 A3  
 ©=1775316  
 2 OF 2  
 A1

A