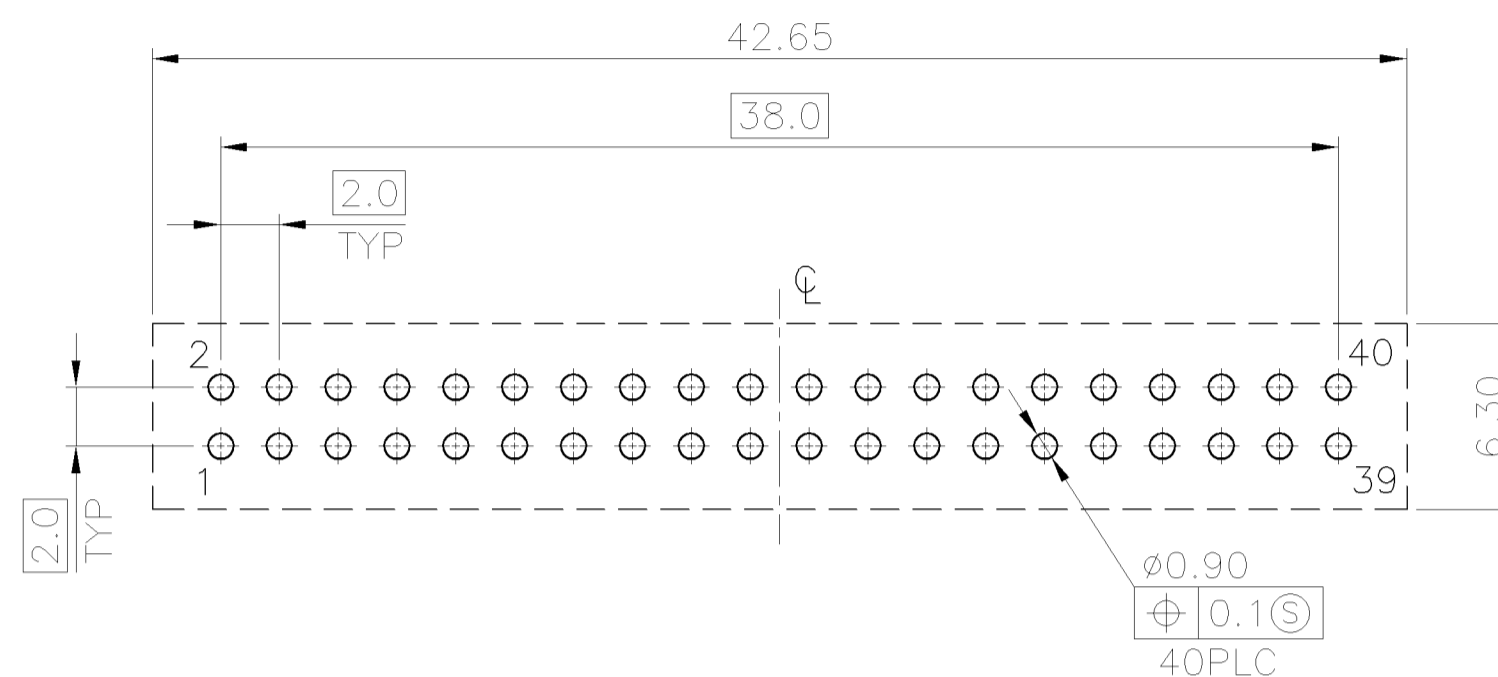
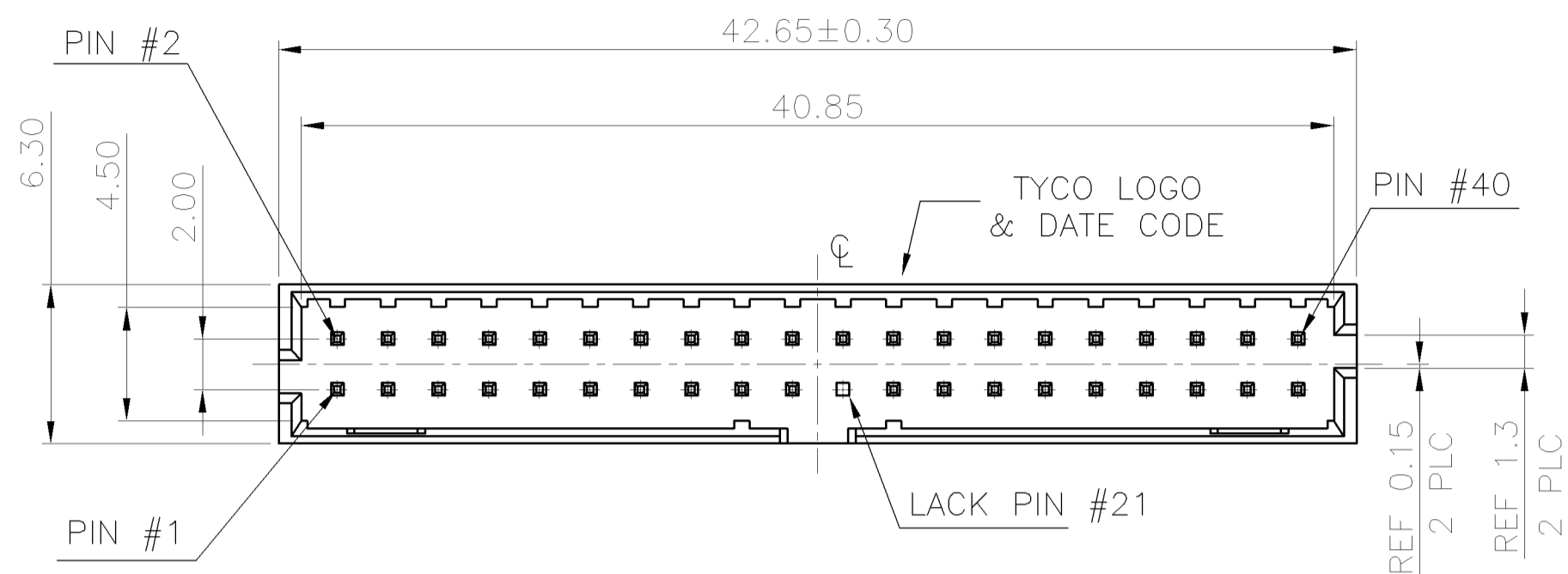
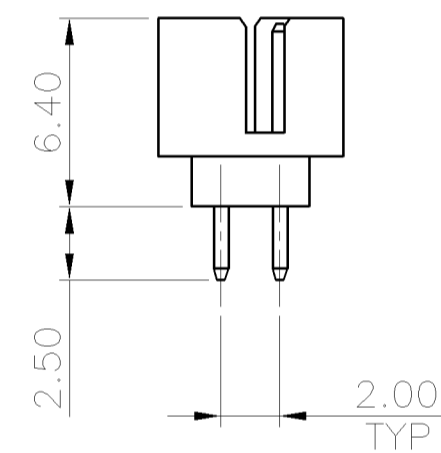
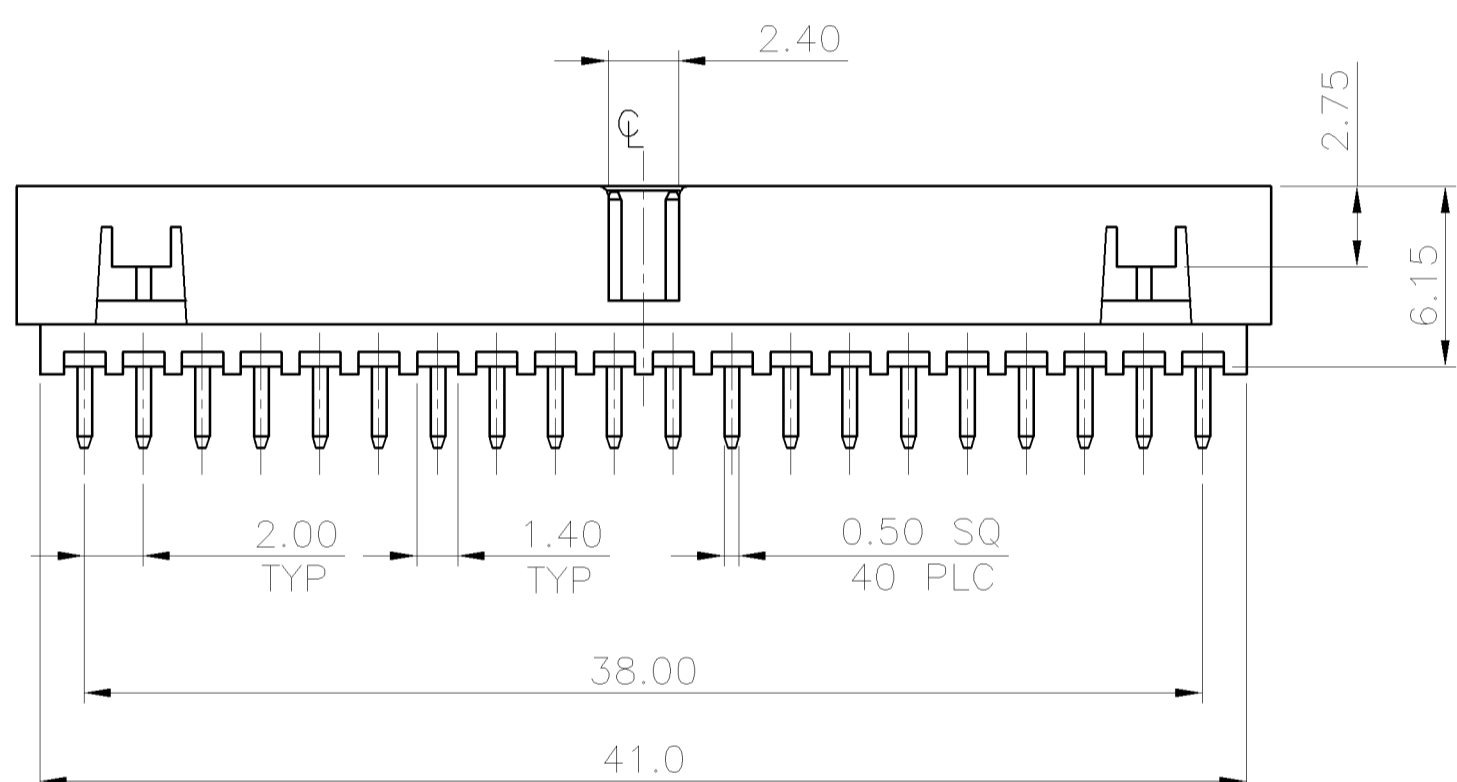


THIS DRAWING IS UNPUBLISHED. RELEASED FOR PUBLICATION
 © COPYRIGHT - BY TYCO ELECTRONICS CORPORATION. ALL RIGHTS RESERVED.

LOC	DIST	REVISIONS			
P	LTR	DESCRIPTION	DATE	DWN	APVD
DW	-	A	RELEASED	08AUG06	AW SH
		A1	REVISED, ECR-07-001616	30APR07	JL SH



RECOMMENDED P.C.B. LAYOUT
 TOLERANCE: ±0.05mm



NOTES:

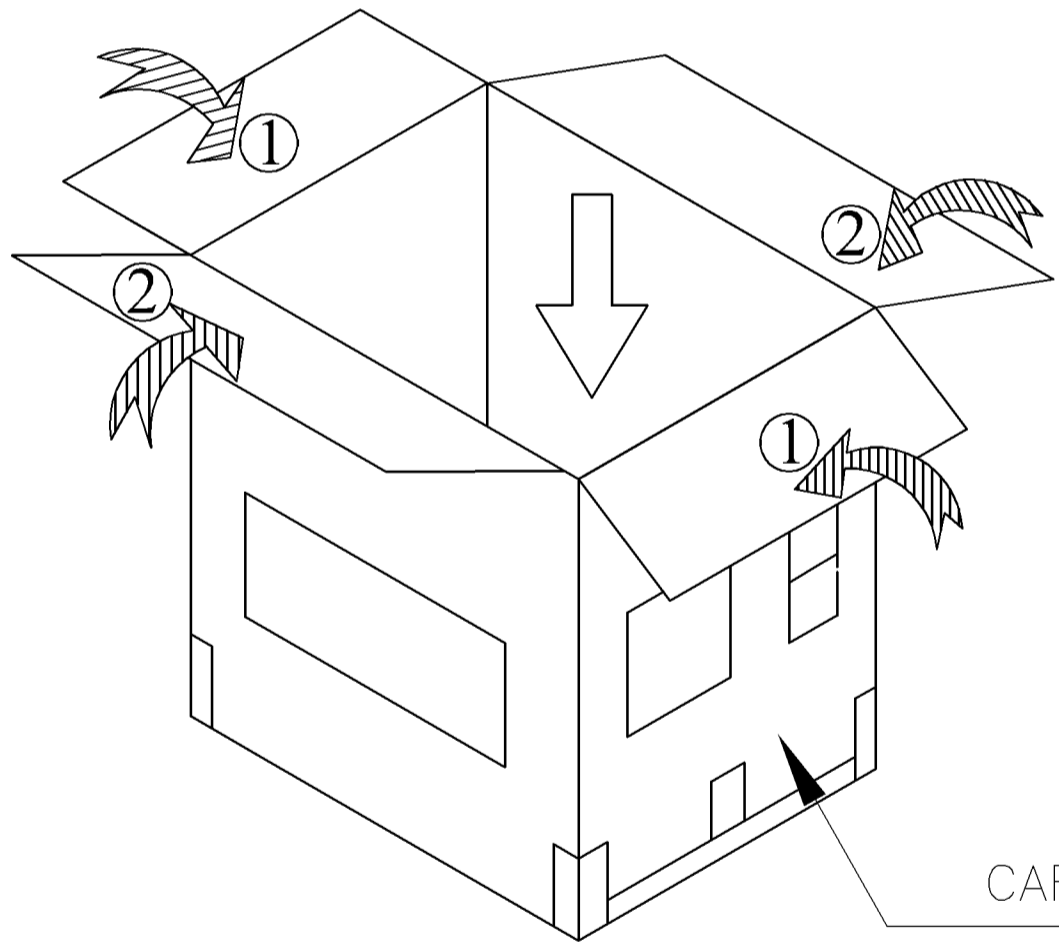
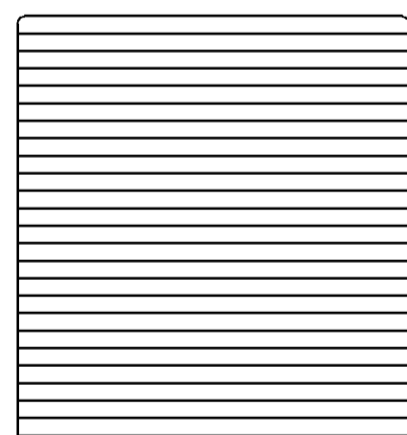
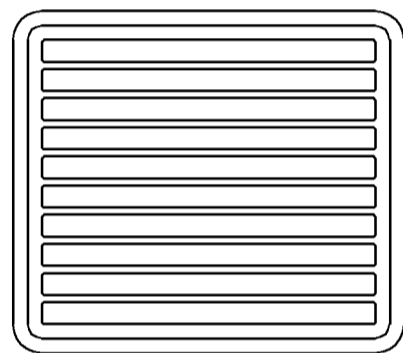
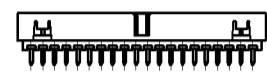
- MATERIAL:
HOUSING: PA6T WITH 30% GF, UL 94V-0, COLOR: BLACK.
CONTACTS: BRASS.
- FINISH:
CONTACTS: GOLD FLASH PLATING OVER
1.27um[50u"]MIN. NICKEL PLATED ON THE OVERALL.
- RECOMMENDED PCB THICKNESS: 1.6.
- WAVE SOLDER CAPABLE TO 265°C PER TYCO SPEC 109-202, CONDITION B.

1775283-1
 PART NUMBER

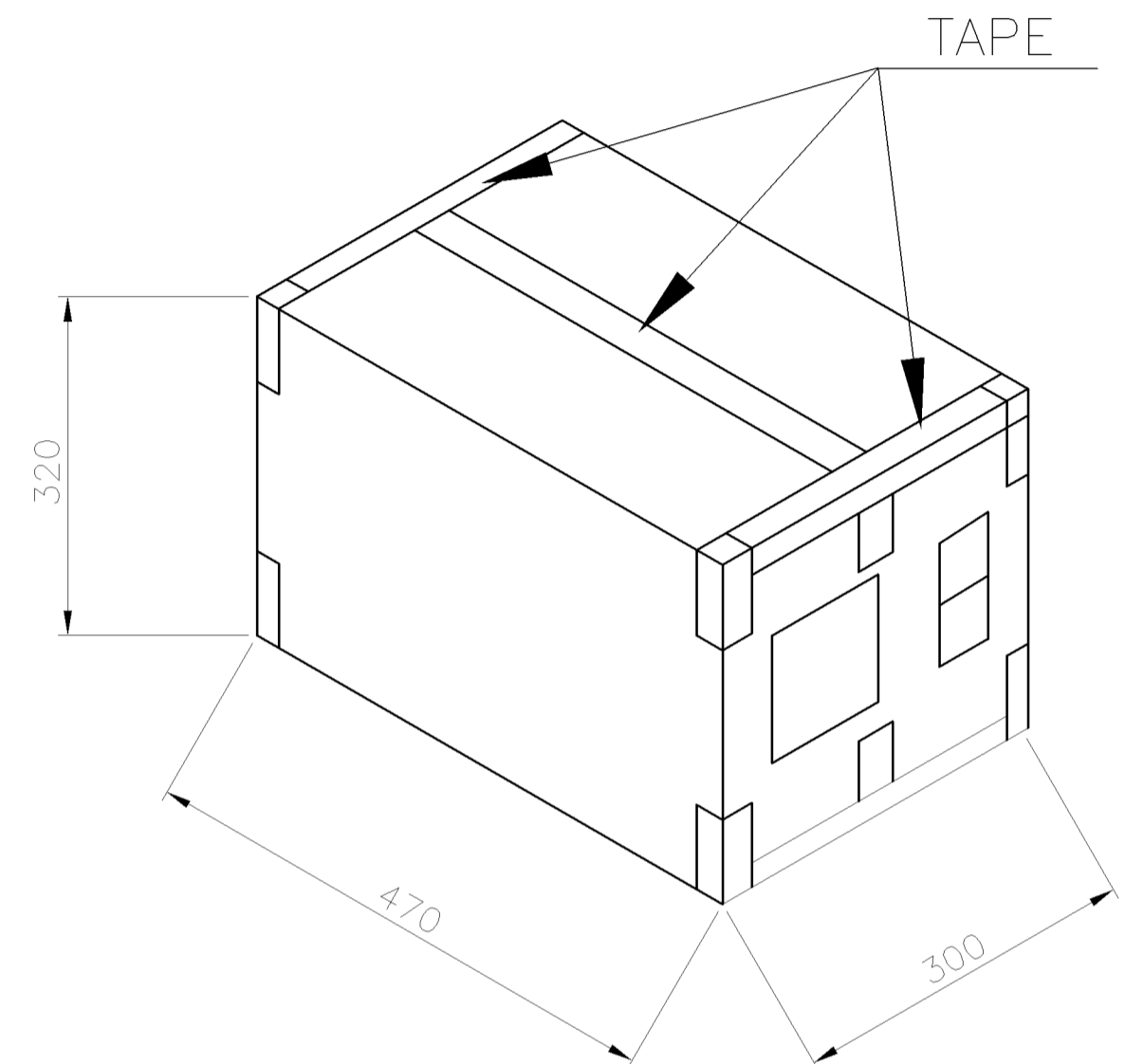
THIS DRAWING IS A CONTROLLED DOCUMENT.		DWN J. LEE 30APR2007	Tyco Electronics Corporation Taipei, Taiwan		
DIMENSIONS: MM		CHK S. HOU 30APR2007			
TOLERANCES UNLESS OTHERWISE SPECIFIED:		APVD W.J. KE 30APR2007	NAME		
0 PLC ± - 1 PLC ± 0.30 2 PLC ± 0.25 3 PLC ± - 4 PLC ± - ANGLES ± -		PRODUCT SPEC 108-57608	BOX HEADER, PITCH 2.0mm, VERTICAL, DIP		
MATERIAL SEE NOTE		QUALIFICATION TEST REPORT 501-57706	SIZE A3	CAGE CODE 00779	DRAWING NO C-1775283
FINISH SEE NOTE		WEIGHT 1.80 GRAMS	RESTRICTED TO -		
		CUSTOMER DRAWING	SCALE -	SHEET 1 OF 2	REV A1

THIS DRAWING IS UNPUBLISHED. RELEASED FOR PUBLICATION
 © COPYRIGHT BY TYCO ELECTRONICS CORPORATION. ALL RIGHTS RESERVED.

LOC DW	DIST —	REVISIONS			
P	LTR	DESCRIPTION	DATE	DWN	APVD
		SEE SHEET 1.			



CARTON



13.1 Kg	12.1 Kg	50	120	6000
G. WEIGHT / CARTON	N. WEIGHT / CARTON	TRAYS / CARTON	PCS / TRAY	PCS / CARTON

THIS DRAWING IS A CONTROLLED DOCUMENT.		DWN J. LEE 30APR2007	Tyco Electronics Corporation Taipei, Taiwan		
DIMENSIONS: MM		CHK S. HOU 30APR2007			
TOLERANCES UNLESS OTHERWISE SPECIFIED:		APVD W.J. KE 30APR2007	NAME BOX HEADER, PITCH 2.0mm, VERTICAL, DIP		
0 PLC ± - 1 PLC ± - 2 PLC ± - 3 PLC ± - 4 PLC ± - ANGLES ± -		PRODUCT SPEC —	SIZE A3		
MATERIAL		APPLICATION SPEC —	CAGE CODE 00779	DRAWING NO C-1775283	RESTRICTED TO —
FINISH		WEIGHT —	CUSTOMER DRAWING		
		SCALE —	SHEET 2 OF 2		REV A1