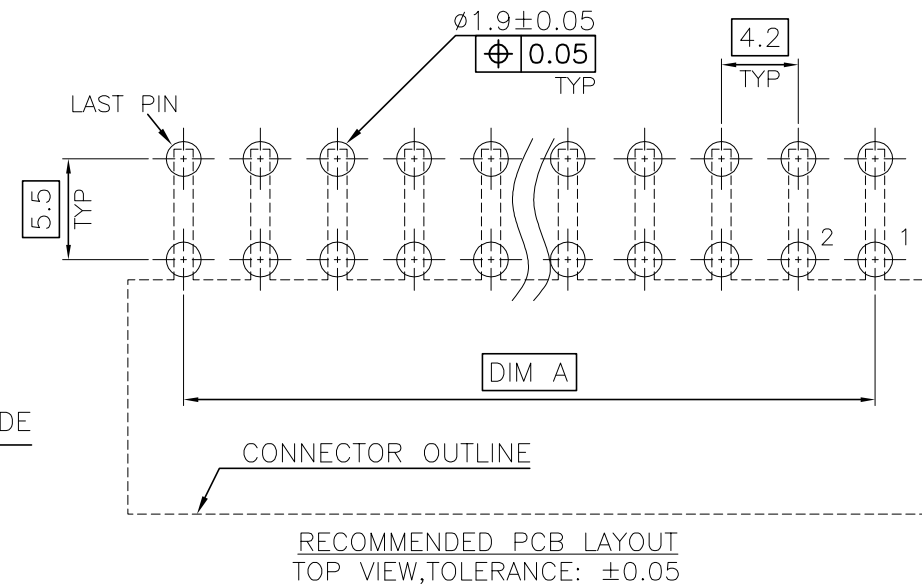
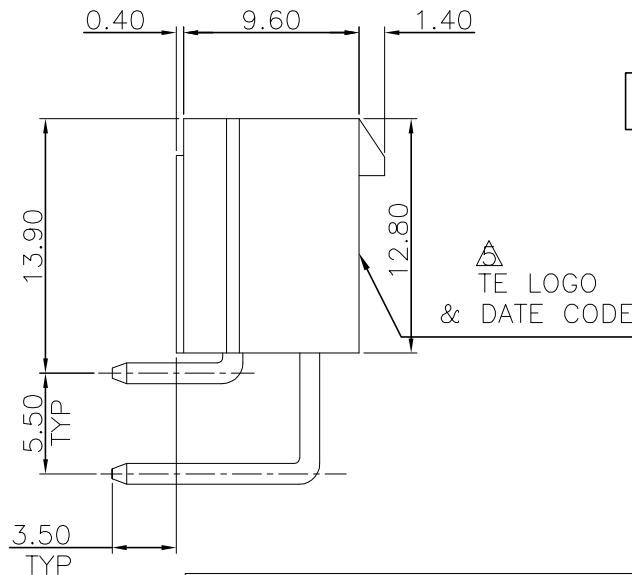
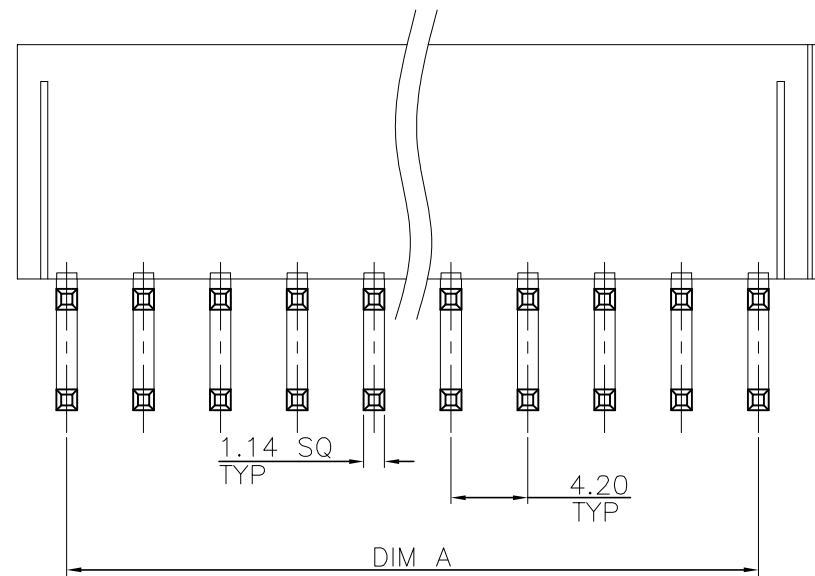
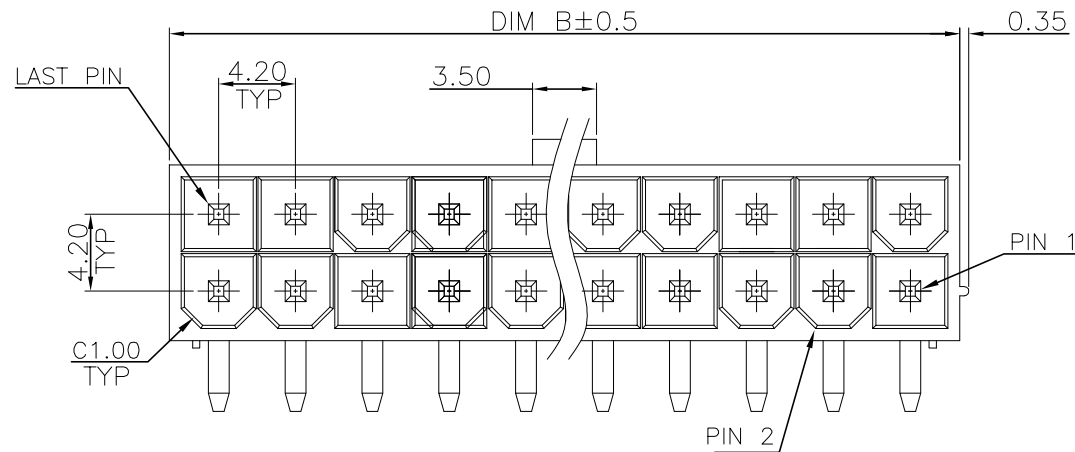


THIS DRAWING IS UNPUBLISHED. RELEASED FOR PUBLICATION
 © COPYRIGHT - ALL RIGHTS RESERVED.

LOC	DIST	REVISIONS			
P	LTR	DESCRIPTION	DATE	DWN	APVD
DW	/				
	D2	REVISED (ECR-11-006006)	23MAR11	JC	WK
	E	REVISED (ECR-12-009130)	30MAY12	MZ	YHM

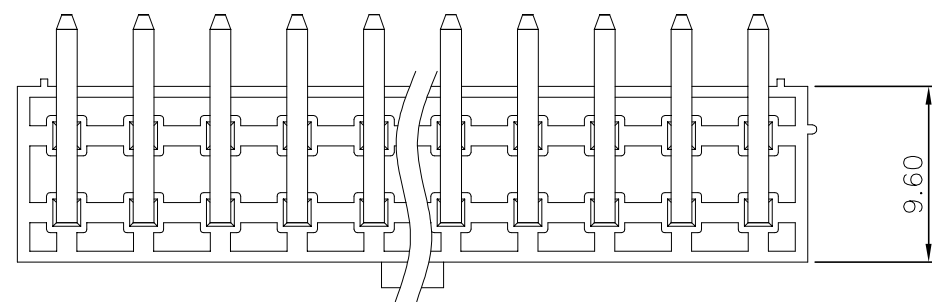
NOTES:

- MATERIAL:
HOUSING: PA46 OR 6T(SEE TABLE), UL 94V-0, COLOR: IVORY.
CONTACTS: BRASS.
 - FINISH:
CONTACTS: 2.54um [100u"] MIN. MATTE-TIN PLATED,
1.27um [50u"] MIN. NICKEL UNDERPLATED ALL OVER
 - RECOMMENDED PCB THICKNESS: 1.6.
 - WAVE SOLDER CAPABLE TO 265°C PER TE TEST SPEC.
109-202, CONDITION B.
- △ NO TE LOGO AND DATE CODE ON THE 4PIN POS PRODUCT.



WITHOUT POST

	HSG MAT'L	WEIGHT	DIM. B	DIM. A	POS.	PART NUMBER
	PA6T	9.82 g	52.00	46.20	24	2-1775119-4
	PA46	8.62 g	47.40	42.00	22	2-1775119-2
		7.83 g	43.20	37.80	20	2-1775119-0
	PA6T	7.37 g	39.20	33.60	18	1-1775119-8
		6.27 g	34.80	29.40	16	1-1775119-6
	PA46	5.49 g	30.60	25.20	14	1-1775119-4
		4.7 g	26.40	21.00	12	1-1775119-2
		3.92 g	22.20	16.80	10	1-1775119-0
		3.14 g	18.00	12.60	8	1775119-8
		2.35 g	13.80	8.40	6	1775119-6
	PA6T	1.57 g	9.60	4.20	4	1775119-4

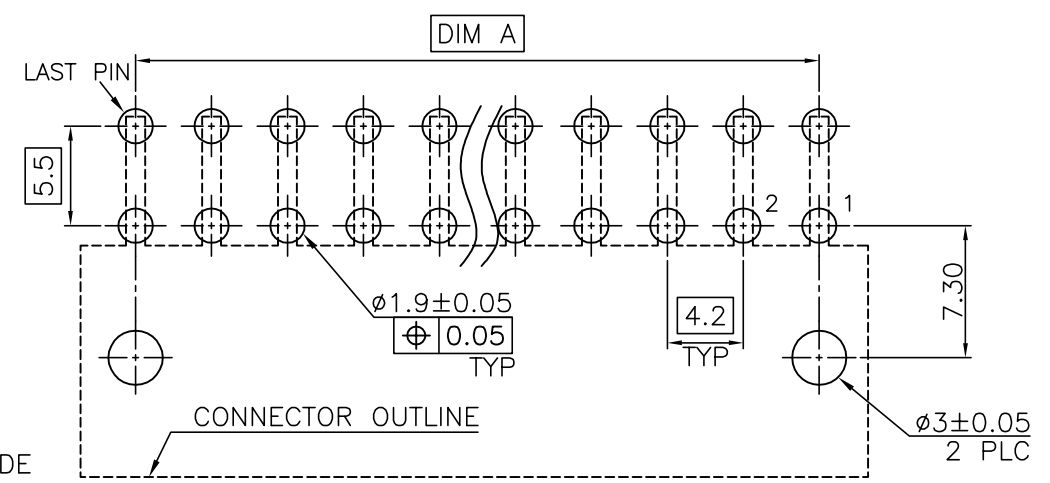
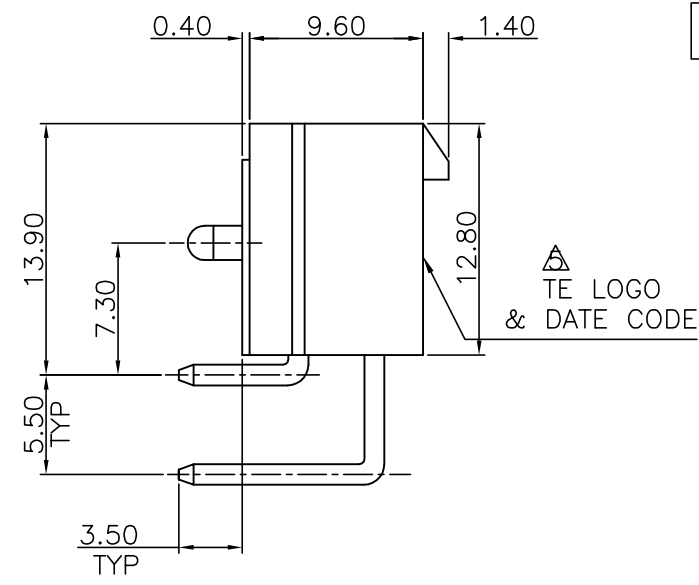
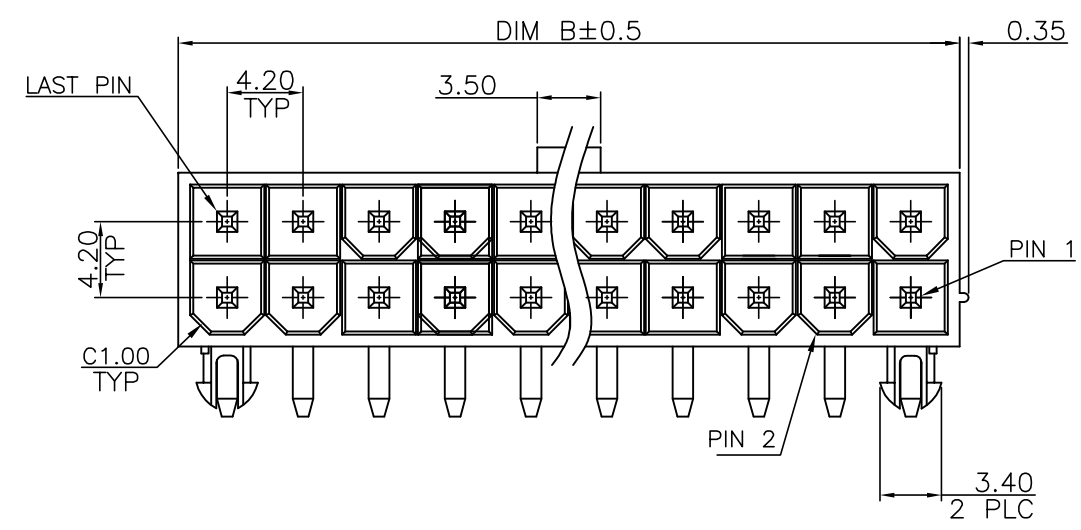


THIS DRAWING IS A CONTROLLED DOCUMENT.		DWN S. CHIEN 01DEC2008	Tyco Electronics Corporation Taipei, Taiwan		
DIMENSIONS: MM		CHK S. CHIEN 01DEC2008	NAME		
TOLERANCES UNLESS OTHERWISE SPECIFIED: 0 PLC ± - 1 PLC ± 0.30 2 PLC ± 0.25 3 PLC ± 0.20 4 PLC ± - ANGLES ± 3'		APVD W. KODAMA 01DEC2008	PRODUCT SPEC		
MATERIAL SEE NOTE		108-57560	ATX POWER CONNECTOR, RIGHT ANGLE, DIP TYPE		
FINISH SEE NOTE		QUALIFICATION TEST REPORT 501-57652	SIZE A3	CAGE CODE 00779	DRAWING NO C-1775119
		WEIGHT SEE TABLE	RESTRICTED TO		
		CUSTOMER DRAWING	SCALE	SHEET 1 OF 3	REV E

LOC DW	DIST	REVISIONS			
P	LTR	DESCRIPTION	DATE	DWN	APVD
		SEE SHEET 1			

NOTES:

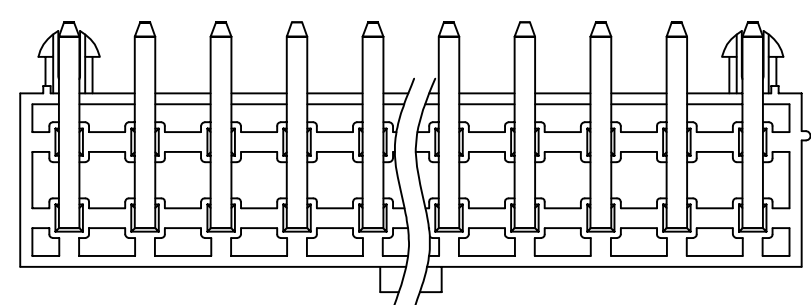
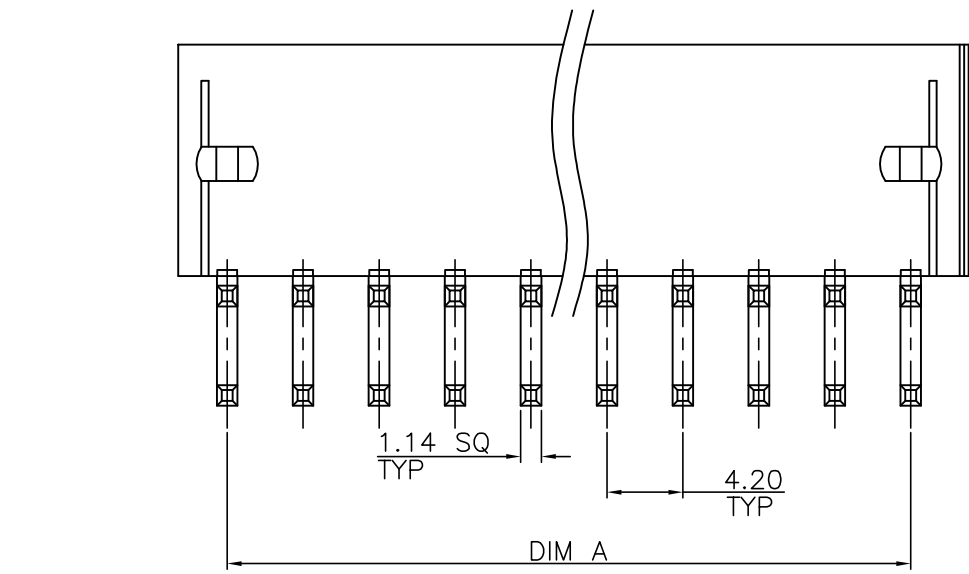
- MATERIAL:
HOUSING: PA46 WITH 30% GF, UL 94V-0, COLOR: IVORY.
CONTACTS: BRASS.
 - FINISH:
CONTACTS: 2.54um [100u"] MIN. MATTE-TIN PLATED,
1.27um [50u"] MIN. NICKEL UNDERPLATED ALL OVER.
 - RECOMMENED PCB THICKNESS: 1.6.
 - WAVE SOLDER CAPABLE TO 265°C PER TE TEST SPEC.
109-202, CONDITION B.
- △ NO TE LOGO AND DATE CODE ON THE 2PIN AND 4PIN POS PRODUCT.



RECOMMENDED PCB LAYOUT
TOP VIEW, TOLERANCE: ±0.05

WITH POST

OBSOLETE	9.42 g	51.60	46.20	24	4-1775119-1
	8.64 g	47.40	42.00	22	4-1775119-0
	7.85 g	43.20	37.80	20	3-1775119-9
	7.07 g	39.00	33.60	18	3-1775119-8
	6.29 g	34.80	29.40	16	3-1775119-7
	5.51 g	30.60	25.20	14	3-1775119-6
	4.72 g	26.40	21.00	12	3-1775119-5
	3.94 g	22.20	16.80	10	3-1775119-4
OBSOLETE	3.16 g	18.00	12.60	8	3-1775119-3
	2.37 g	13.80	8.40	6	3-1775119-2
	1.59 g	9.60	4.20	4	3-1775119-1
	0.80 g	5.4	N/A	2	3-1775119-0
HSG MAT'L	WEIGHT	DIM. B	DIM. A	POS.	PART NUMBER



THIS DRAWING IS A CONTROLLED DOCUMENT.

DIMENSIONS: MM	TOLERANCES UNLESS OTHERWISE SPECIFIED: 0 PLC ± - 1 PLC ± 0.30 2 PLC ± 0.25 3 PLC ± 0.20 4 PLC ± - ANGLES ± 3°	DWN	Tyco Electronics Corporation Tyco Electronics Taipei, Taiwan		
MATERIAL SEE NOTE	FINISH SEE NOTE	CHK	NAME ATX POWER CONNECTOR, RIGHT ANGLE, DIP TYPE		
		APVD	SIZE	CAGE CODE	DRAWING NO
		PRODUCT SPEC	A3	00779	C-1775119
		QUALIFICATION TEST REPORT	RESTRICTED TO		
		WEIGHT	SCALE	SHEET	REV
		SEE TABLE	-	2 OF 3	E

CUSTOMER DRAWING

4

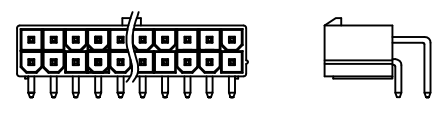
3

2

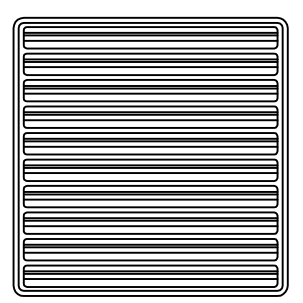
1

THIS DRAWING IS UNPUBLISHED. RELEASED FOR PUBLICATION
 © COPYRIGHT - ALL RIGHTS RESERVED.

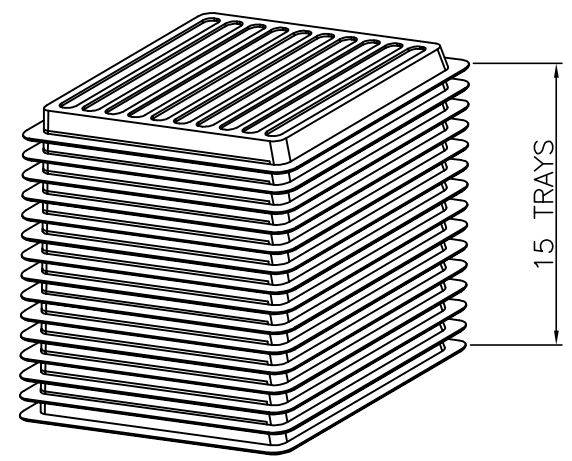
LOC	DIST	REVISIONS					
DW		P	LTR	DESCRIPTION	DATE	DWN	APVD
				SEE SHEET 1			



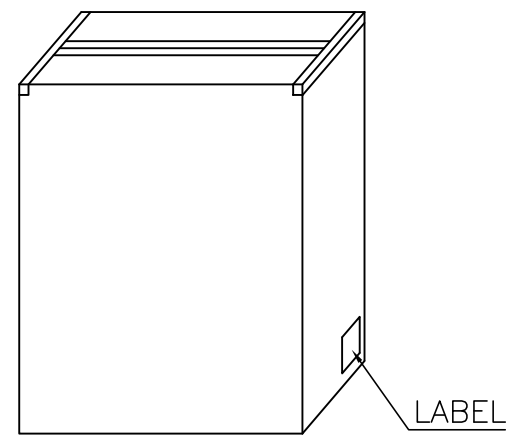
PRODUCT.



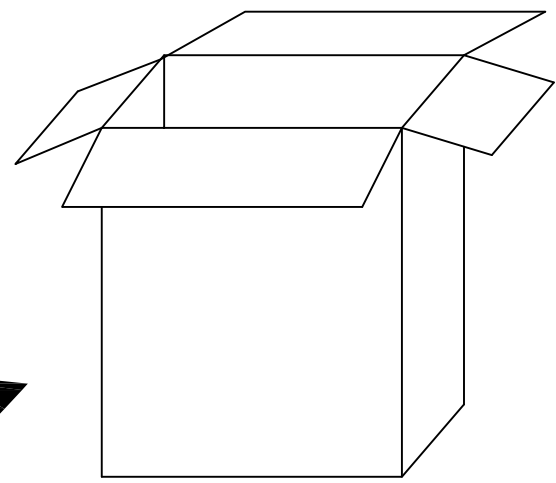
TRAY LAYOUT



15 TRAYS



LABEL



SHIPPING CARTON

NOTES:

- 1. DIMENSION:
TRAY: 273 X 269 X 20 mm
SHIPPING CARTON: 283 X 279 X 305 mm
- 2. QUANTITY:
(SEE TABLE)
- 3. WEIGHT:
(SEE TABLE)

GROSS WEIGHT	NET WEIGHT	PCS/CARTON	PCS/TRAY	PART NUMBER	
6.6 KG	5.6 KG	600	40	4-1775119-1	
7.5 KG	6.5 KG	750	50	4-1775119-0	
6.9 KG	5.9 KG	750	50	3-1775119-9	
7.3 KG	6.3 KG	900	60	3-1775119-8	
6.6 KG	5.6 KG	900	60	3-1775119-7	
6.8 KG	5.8 KG	1050	70	3-1775119-6	
7.4 KG	6.4 KG	1350	90	3-1775119-5	
6.9 KG	5.9 KG	1500	100	3-1775119-4	
OBSOLETE	7.1 KG	6.1 KG	1950	130	3-1775119-3
7.1 KG	6.1 KG	2550	170	3-1775119-2	
6.7 KG	5.7 KG	3600	240	3-1775119-1	
6.1 KG	5.1 KG	6300	320	3-1775119-0	
6.9 KG	5.9 KG	600	40	2-1775119-4	
7.5 KG	6.5 KG	750	50	2-1775119-2	
6.9 KG	5.9 KG	750	50	2-1775119-0	
7.6 KG	6.6 KG	900	60	1-1775119-8	
6.6 KG	5.6 KG	900	60	1-1775119-6	
7.5 KG	6.5 KG	1050	70	1-1775119-4	
OBSOLETE	8.4 KG	7.4 KG	1350	90	1-1775119-2
8.1 KG	7.1 KG	1500	100	1-1775119-0	
OBSOLETE	8.7 KG	7.7 KG	1950	130	1775119-8
OBSOLETE	9.0 KG	8.0 KG	2550	170	1775119-6
OBSOLETE	6.8 KG	5.8 KG	3600	240	1775119-4

THIS DRAWING IS A CONTROLLED DOCUMENT.		DWN	Tyco Electronics Corporation Tyco Electronics Taipei, Taiwan		
DIMENSIONS: MM		CHK	NAME		
TOLERANCES UNLESS OTHERWISE SPECIFIED:		APVD	ATX POWER CONNECTOR, RIGHT ANGLE, DIP TYPE		
0 PLC ±		PRODUCT SPEC	-		
1 PLC ±		QUALIFICATION TEST REPORT	-		
2 PLC ±		WEIGHT	-		
3 PLC ±		CUSTOMER DRAWING	SIZE	CAGE CODE	DRAWING NO
4 PLC ±			A3	00779	1775119
ANGLES ±			RESTRICTED TO		
FINISH			-		
MATERIAL			SCALE	SHEET	REV
			-	3 of 3	E