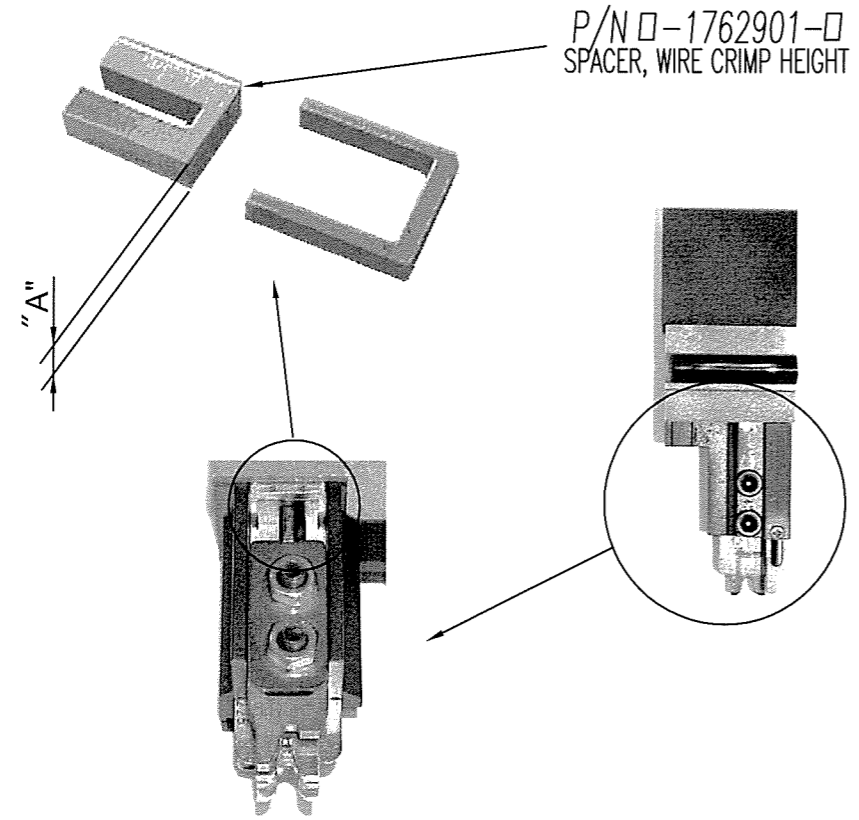


1762901
DWG NO

THIS DRAWING IS A CONTROLLED DOCUMENT FOR AMP. IT IS SUBJECT TO CHANGE AND THE COMPANY ASSUMES NO RESPONSIBILITY FOR THE LATEST REVISION. CONTACTED FOR THE LATEST REVISION.

THIS INFORMATION IS CONFIDENTIAL AND IS DISCLOSED TO YOU ON CONDITION THAT NO FURTHER DISCLOSURE IS MADE BY YOU TO OTHER THAN AMP PERSONNEL WITHOUT WRITTEN AUTHORIZATION FROM AMP INCORPORATED, HARRISBURG, PA.

NOTE 1. :
NOTE 2. :



P/N □-1762901-□
SPACER, WIRE CRIMP HEIGHT

USED ON

SPACER P/N	"A" SIZE	NOTES
4-1762901-1	3.50	
4-1762901-0	3.45	
3-1762901-9	3.40	
3-1762901-8	3.35	
3-1762901-7	3.30	
3-1762901-6	3.25	
3-1762901-5	3.20	
3-1762901-4	3.15	
3-1762901-3	3.10	
3-1762901-2	3.05	
3-1762901-1	3.00	
3-1762901-0	2.95	
2-1762901-9	2.90	
2-1762901-8	2.85	
2-1762901-7	2.80	
2-1762901-6	2.75	
2-1762901-5	2.70	
2-1762901-4	2.65	
2-1762901-3	2.60	
2-1762901-2	2.55	
2-1762901-1	2.50	
2-1762901-0	2.45	
1-1762901-9	2.40	
1-1762901-8	2.35	
1-1762901-7	2.30	
1-1762901-6	2.25	
1-1762901-5	2.20	
1-1762901-4	2.15	
1-1762901-3	2.10	
1-1762901-2	2.05	
1-1762901-1	2.00	
1-1762901-0	1.95	
1762901-9	1.90	
1762901-8	1.85	
1762901-7	1.80	
1762901-6	1.75	
1762901-5	1.70	
1762901-4	1.65	
1762901-3	1.60	
1762901-2	1.55	
1762901-1	1.50	

MATERIAL		HEAT TREAT		FINISH	
---		---		---	
DR 30 JUN 05 K.MARUYAMA	APP 30 JUN 05 S. YABE	Tyco Electronics AMP K.K. Kawasaki, Japan			
CHK 30 JUN 05 K.MARUYAMA	REL 30 JUN 05 S. YABE				
名称 (NAME) (SPACER, WIRE CRIMP HEIGHT) ワイヤークリンプハイトスペーサー					
SCALE	SIZE	DRAWING NO		SHEET	REV
---	A3	1762901		1 of 1	A

THIRD ANGLE PROJECTION.
DIMENSIONS IN MILLIMETERS.
DO NOT SCALE PRINT.

TOLERANCES UNLESS OTHERWISE SPECIFIED.

ANGLES ±0°30'

UP TO 6 ±0.1 120 TO 315 ±0.5
6 TO 30 ±0.2 315 TO 1000 ±0.8
30 TO 120 ±0.3 OVER 1000 ±1.2

REMOVE BURRS, BRAKE SHARP EDGES
R0.4 MAX.

A	RELEASED	30 JUN 05	K.M	S.Y	
P	LTR	REVISION RECORD	ECN	DATE	DWN/APVD

LOC
J
DIST