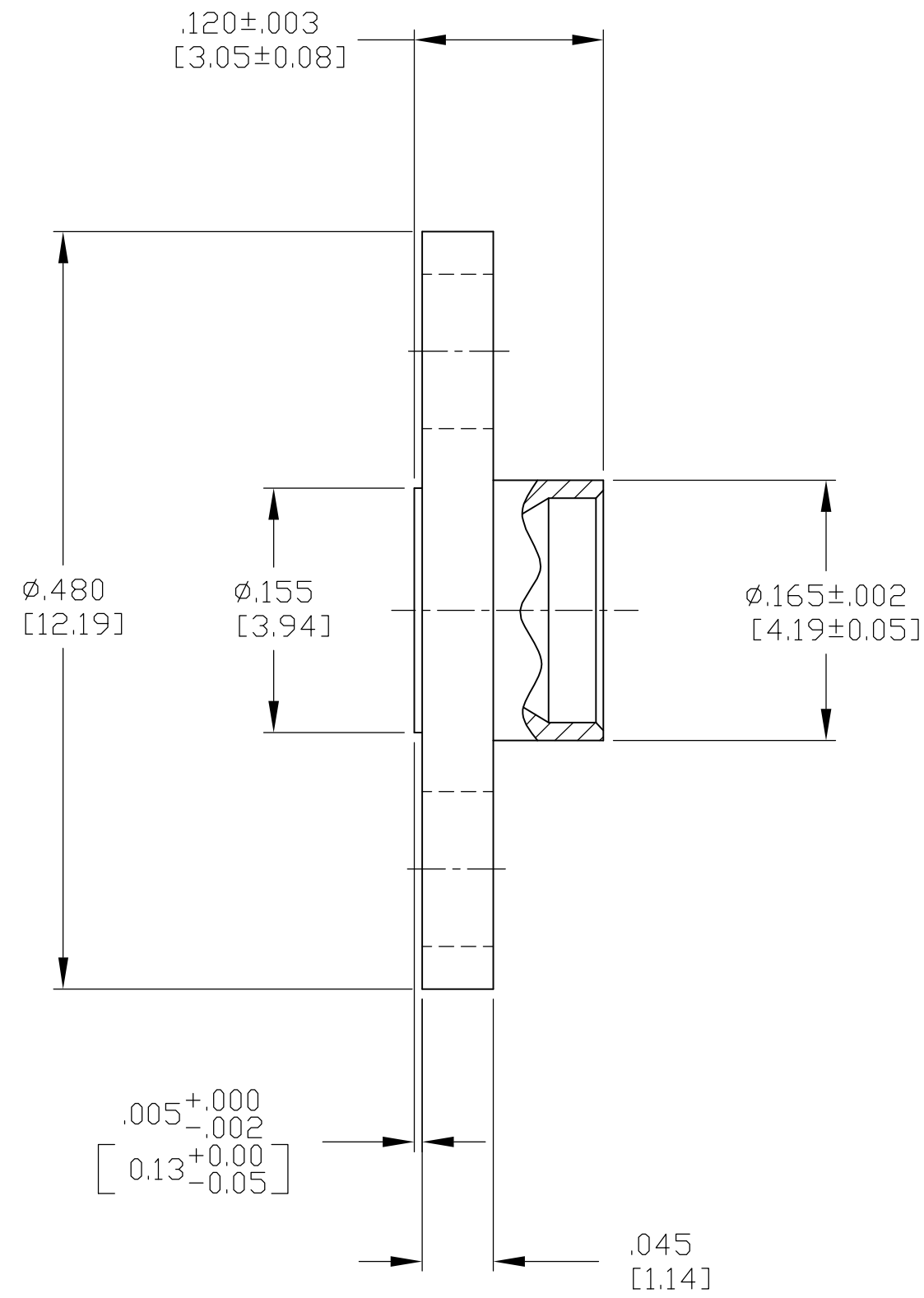
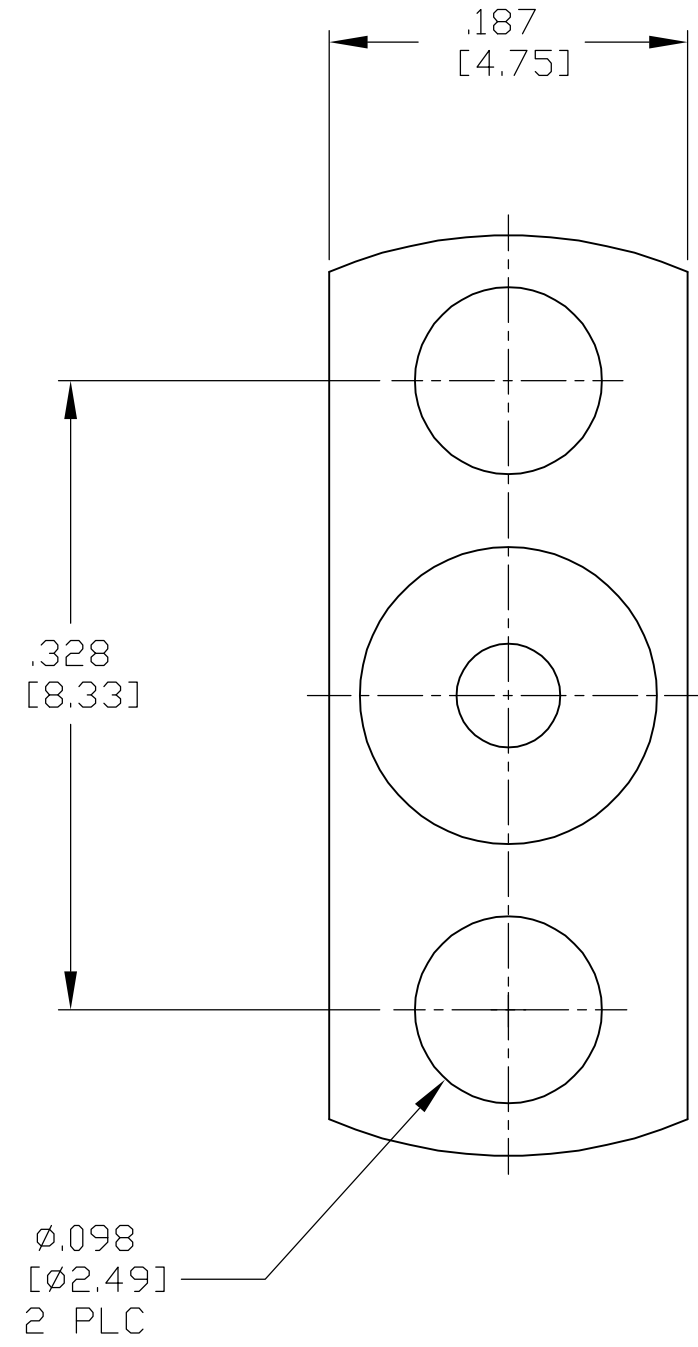


THIS DRAWING IS UNPUBLISHED. RELEASED FOR PUBLICATION
 © COPYRIGHT BY TYCO ELECTRONICS CORPORATION. ALL RIGHTS RESERVED.

LOC	DIST	REVISIONS			
P	LTR	DESCRIPTION	DATE	DWN	APVD
X0	DF	A	RELEASED	4-18-05	CT BM

- 1 STAINLESS STEEL PER ASTM-A-582
- 2 PASSIVATION PER AMS QQ-P-35
- 3. SMP INTERFACE PER MIL-STD-348A, FIGURE 326-4
- 4. DSCC REFERENCE PART NUMBER: 94007ZSP-3S



2	1	1757025-1
FINISH	MATERIAL	PART NO.

THIS DRAWING IS A CONTROLLED DOCUMENT.		DWN B. MOYER 12APR05	Tyco Electronics Corporation Harrisburg, Pa 17105-3608													
DIMENSIONS: INCHES		CHK C.C.THOMAS 4-18-05	AMP													
TOLERANCES UNLESS OTHERWISE SPECIFIED:		APVD B. MOYER 4-18-05														
<table border="1"> <tr><td>0 PLC</td><td>± -</td></tr> <tr><td>1 PLC</td><td>± -</td></tr> <tr><td>2 PLC</td><td>± -</td></tr> <tr><td>3 PLC</td><td>± .005 (.13)</td></tr> <tr><td>4 PLC</td><td>± -</td></tr> <tr><td>ANGLES</td><td>± 1°</td></tr> </table>		0 PLC	± -	1 PLC	± -	2 PLC	± -	3 PLC	± .005 (.13)	4 PLC	± -	ANGLES	± 1°	PRODUCT SPEC -	NAME HOUSING SHROUD, SMOOTH BORE, SMP	
0 PLC	± -															
1 PLC	± -															
2 PLC	± -															
3 PLC	± .005 (.13)															
4 PLC	± -															
ANGLES	± 1°															
MATERIAL SEE TABLE		FINISH SEE TABLE	APPLICATION SPEC -	RESTRICTED TO -												
WEIGHT -		SCALE 10:1	CAGE CODE A2 00779	DRAWING NO. C=1757025												
CUSTOMER DRAWING		SCALE 10:1	SHEET 1 OF 1	REV A												

1757025