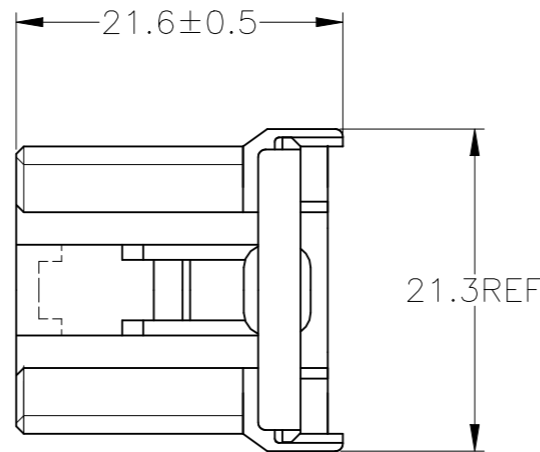
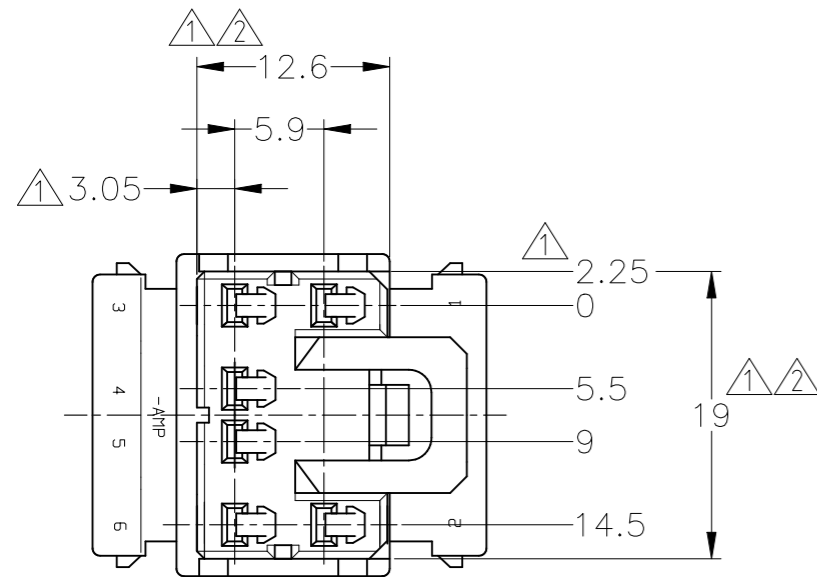


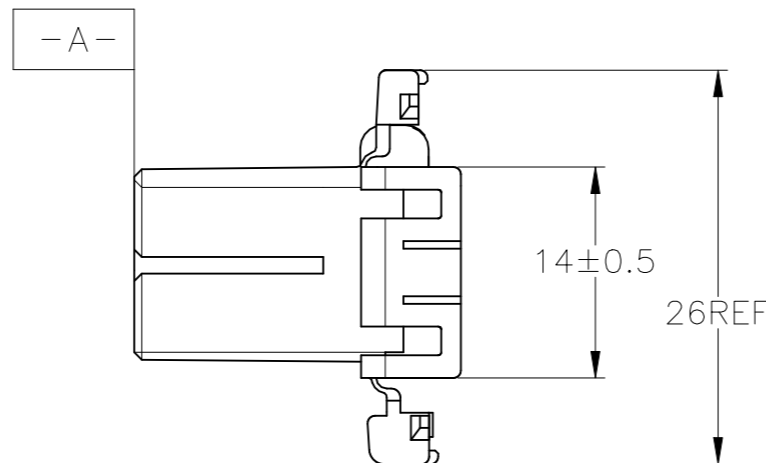
REVISIONS

| P | LTR | DESCRIPTION | DATE | DWN | APVD |
|---|-----|-------------|---------------|-----------|-------|
| | A3 | REVISED | ECR-23-185274 | 04SEP2023 | AG RK |



- △ MUST BE KEPT BETWEEN [-A-] AND 2
- △ TO BE MATED WITH THE CAP HOUSING SMOOTHLY
- 3. APPLIED RECEPTACLE CONTACT PART NUMBER; 173630 AND 173631
- 4. APPLIED CAP HOUSING; 175657

- △ [-A-] 面より2mmの範囲で測定
- △ 相手ハウジングと所定の機能を満足して嵌合できること
- 3. 内装するリセプタクルコンタクト型番173630 及び 173631
- 4. 嵌合相手ハウジング型番; 175657



| | | |
|----------|---------------|------------------|
| OBSOLETE | 青 (BLUE) | 175658-5 |
| OBSOLETE | 緑 (GREEN) | 175658-4 |
| | 自然色 (NATURAL) | 175658-1 |
| | 色 (COLOR) | 型番 (PART NUMBER) |

THIS DRAWING IS A CONTROLLED DOCUMENT.

| DIMENSIONS: 単位: 耗 mm | TOLERANCES UNLESS OTHERWISE SPECIFIED: 一般公差 |
|----------------------------|---------------------------------------------------|
| | 0 PLC ± - |
| | 1 PLC ± - |
| | 2 PLC ± - |
| | 3 PLC ± - |
| | 4 PLC ± - |
| | ANGLES ± - |

| TOLERANCES UNLESS OTHERWISE SPECIFIED: 一般公差 | |
|------------------------------------------------|--------------|
| 10 ≥ | : ±0.2 |
| 30 ≥ | > 10 : ±0.25 |
| 100 ≥ | > 30 : ±0.3 |
| ANGLE : ±3° | |

| MATERIAL 材料 | FINISH 仕上 |
|----------------|--------------|
| PBT | - |

| | | |
|------------------|-------------|-----------|
| DWN | T.SHINOHARA | 13DEC2012 |
| CHK | K.BETSUI | 13DEC2012 |
| APVD | K.BUTSUI | 13DEC2012 |
| PRODUCT SPEC | 製品規格 | 108-5264 |
| APPLICATION SPEC | 取付適用規格 | - |
| WEIGHT | 0.000000 | |

| | | | |
|-----------------------------------------------------------------------------------------------------|-----------|------------------|-----------------|
| | | | |
| TE Connectivity | | | |
| 070 SERIES MULTI-LOCK CONNECTOR 6POSITION PLUG HOUSING (DOUBLE ROW TYPE) | | | |
| SIZE | CAGE CODE | DRAWING NO 番号 | RESTRICTED TO |
| A3 | 00779 | C-175658 | - |
| CUSTOMER DRAWING | | SCALE 尺度 | SHEET 1 OF 1 |
| | | 2:1 | REV A3 |