

THIS DRAWING IS UNPUBLISHED.
DIFFUSION RESTREINTE

RELEASED FOR PUBLICATION
LIBRE A LA DIFFUSION

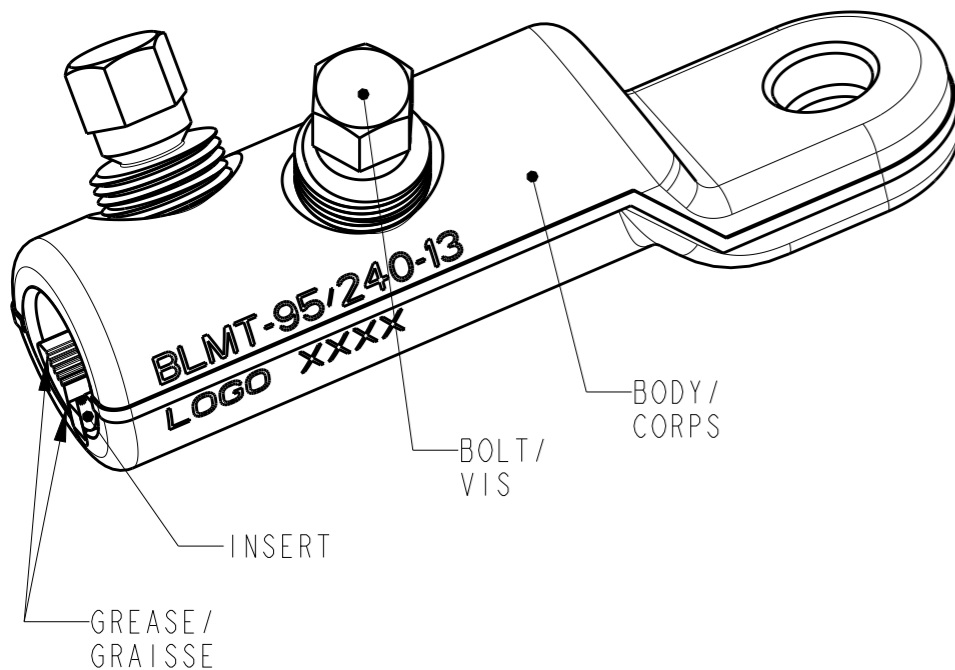
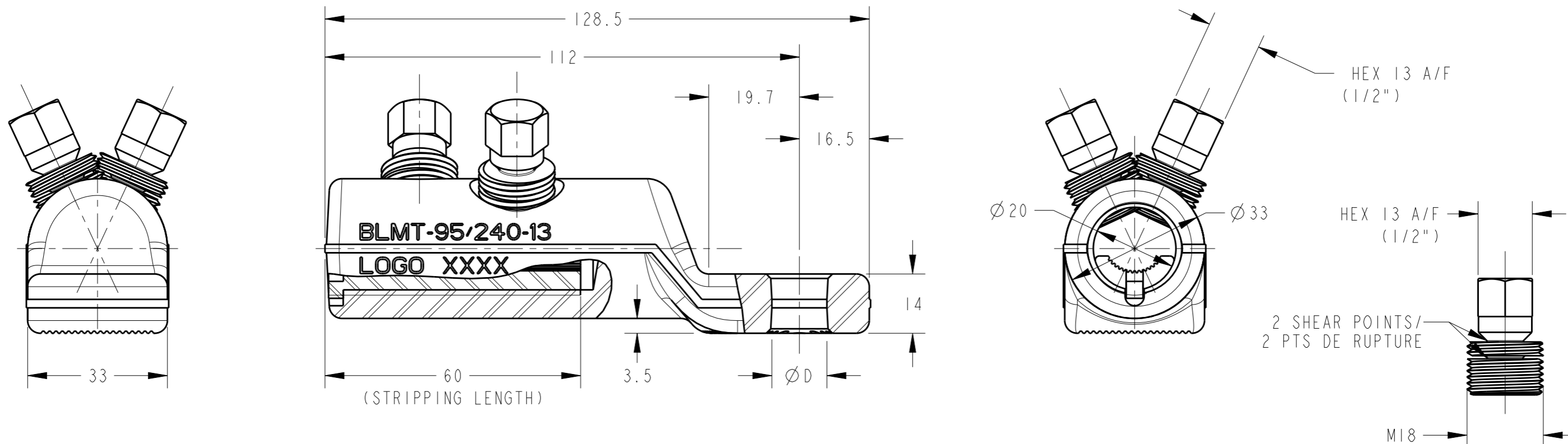
© COPYRIGHT 20 BY -

ALL RIGHTS RESERVED.
TOUS DROITS RESERVES

REVISIONS

P	LTR REV	DESCRIPTION MODIFICATIONS	DATE	DWN DESS.	APVD APP.
	D	ECR-13-018746	02DEC2013	BP	NA
	E	ECR-16-002876 (UPDATE BODY CHAMFERS)	29FEB2016	BM	AG
	F	ECR-20-002913 HEAD REDUCED TO 13	27JAN2020	NB	BM

BLMT-95/240-21	21	1756148-3
BLMT-95/240-17	17	E01991-000
BLMT-95/240-13	13	E44865-000
DESCRIPTION	ØD	TCPN



	AL				CU		
	ROUND STRANDED /Rond câblé /RM	ROUND SOLID /Rond solide /RE	SECTOR STRANDED /Sectoral câblé /SM	SECTOR SOLID /Sectoral câblé /SE	ROUND STRANDED /Rond câblé /RM	SECTOR STRANDED /Sectoral câblé /SM	ROUND FLEXIBLE /Circ. souple
CONDUCTOR CROSS-SECTION /Section conducteur /Querschnittsbereich mm ²	70-240	95-300	95-150 (185-240 with rounding)	95-150 (185 with 90°)	70-240	95-150 (185-240 with rounding)	95 150 (class 5)
CONDUCTOR DIAMETER /Diamètre conducteur /Leiterdurchmesser mm	Ø9.3-Ø19.2	Ø10.5-Ø19	-	-	Ø9.3-Ø19.2	-	Ø13-Ø14.3 (95 ²) Ø16.5-Ø19 (150 ²)

TOLERANCES UNLESS OTHERWISE SPECIFIED
TOLERANCES NON SPECIFIEES: -

THIS DRAWING IS A CONTROLLED DOCUMENT.
CE PLAN EST UN DOCUMENT CONTROLE PAR TYCO ELECTRONICS CORPORATION
IL EST SUSCEPTIBLE D'ETRE REVISE. CONTACTER LE SERVICE
TECHNIQUE POUR OBTENIR LA DERNIERE REVISION.

DIMENSIONS: mm

TOLERANCES UNLESS OTHERWISE SPECIFIED
TOLERANCES NON SPECIFIEES (SUIV NB DE DECIMALES):
0 PLC/DEC: ±0
1 PLC/DEC: ±0
2 PLC/DEC: ±0
3 PLC/DEC: ±0
4 PLC/DEC: ±0
ANGLES ±-

MATERIAL MATIERE: AL ALLOY

FINISH FINITION: TINNED

DWN/DESSINE: 27JAN2020
A. SABARAD

CHK/VERIFIE: A. GUICHARD

APVD/APPROUVE: N. ALMEIDA

PRODUCT SPEC SPEC. PRODUIT: -

APPLICATION SPEC SPEC. APPLICATION: -

WEIGHT MASSE APPROX.: 220g

SIZE FORMAT: A3

CAGE CODE: -

DRAWING NO No PLAN: C=1756148

RESTRICTED TO RESERVE A

CUSTOMER DRAWING /PLAN CLIENT

UNIQUEMENT POUR REFERENCE

SCALE ECHELLE: 1:1

SHEET FEUILLE: 1 OF DE 1

REV: F

STE TE Connectivity

NAME TITRE: BLMT-95/240-13
BLMT-95/240-17
BLMT-95/240-21