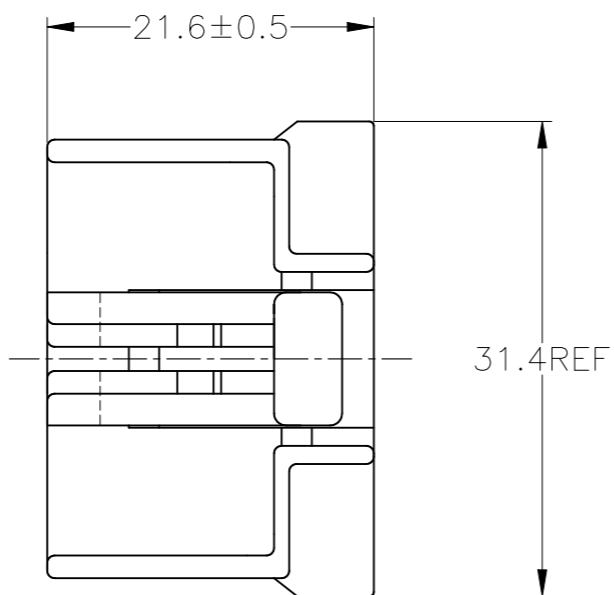
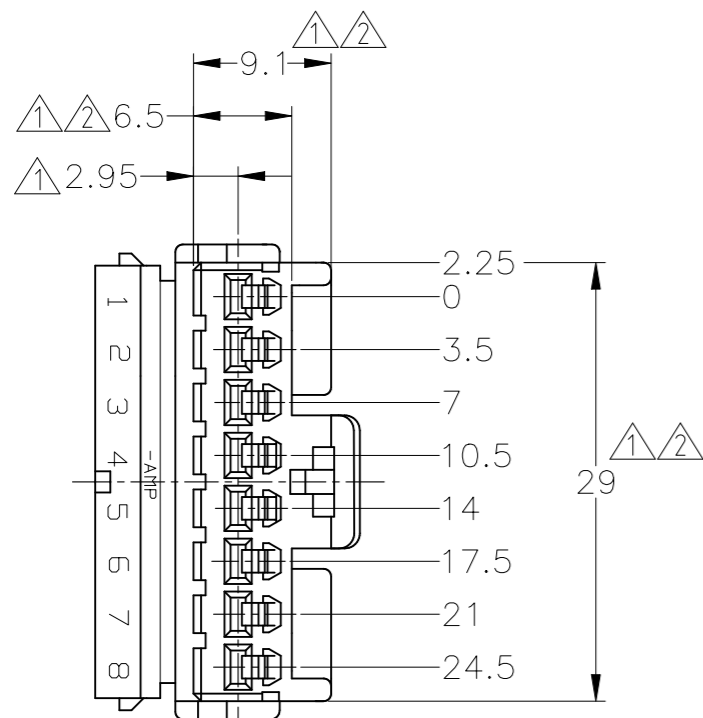
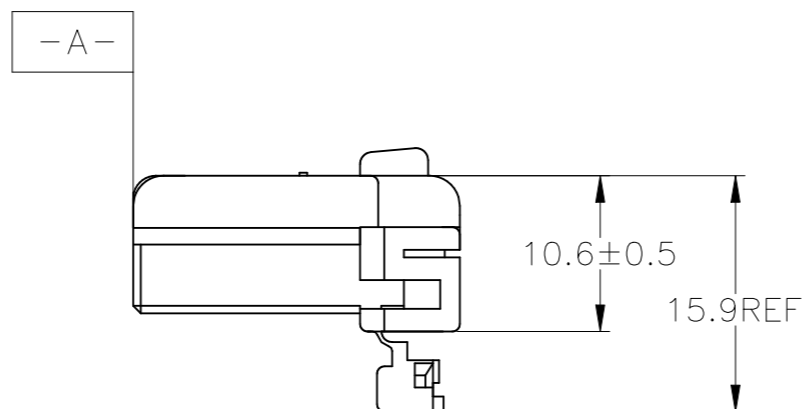


REVISIONS 変更					
P	LTR	DESCRIPTION	DATE	DWN	APVD
	A1	REDRAWN W/CHANGE ECR-12-021403	13DEC2012	TS	KB
	A2	REVISED PER ECR-22-154022	24NOV2022	RK	MT



△ MUST BE KEPT BETWEEN [-A-] AND 2
 △ TO BE MATED WITH THE CAP HOUSING SMOOTHLY
 3. APPLIED RECEPTACLE CONTACT PART NUMBER; 173630 AND 173631

△ [-A-] 面より2mmの範囲で測定
 △ 相手ハウジングと所定の機能を満足して嵌合できること
 3. 内装するリセプタクルコンタクト型番173630 及び 173631



OBSOLETE	黒 (BLACK)	174924-2
	自然色 (NATURAL)	174924-1
	色 (COLOR)	型番 (PART NUMBER)

TOLERANCES UNLESS OTHERWISE SPECIFIED:
一般公差

10 _±	: ±0.2
30 _±	> 10 : ±0.25
100 _±	> 30 : ±0.3
ANGLE : ±3°	

THIS DRAWING IS A CONTROLLED DOCUMENT.

DIMENSIONS: 単位: 耗 mm	TOLERANCES UNLESS OTHERWISE SPECIFIED: 一般公差
	0 PLC ± - 1 PLC ± - 2 PLC ± - 3 PLC ± - 4 PLC ± - ANGLES ± -
MATERIAL 材料 PBT	FINISH 仕上 -

DWN T.SHINOHARA	13DEC2012
CHK K.BETSUI	13DEC2012
APVD K.BUTSUI	13DEC2012
PRODUCT SPEC 製品規格 108-5264	NAME 名称
APPLICATION SPEC 取付適用規格	SIZE
WEIGHT -	CAGE CODE A300779

STE TE Connectivity			
070 SERIES MULTI-LOCK CONNECTOR 8POSITION PLUG HOUSING			
DRAWING NO 番号 C-174924	RESTRICTED TO		
CUSTOMER DRAWING	SCALE 尺度 2:1	SHEET 1 OF 1	REV A2