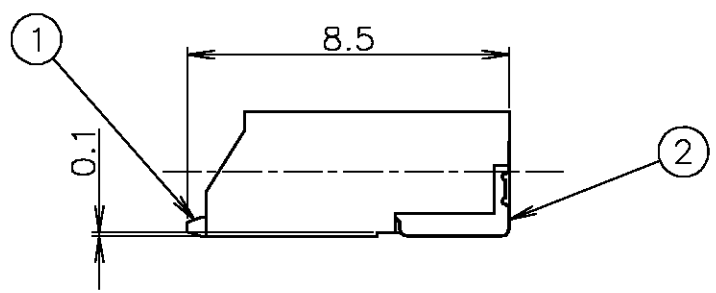
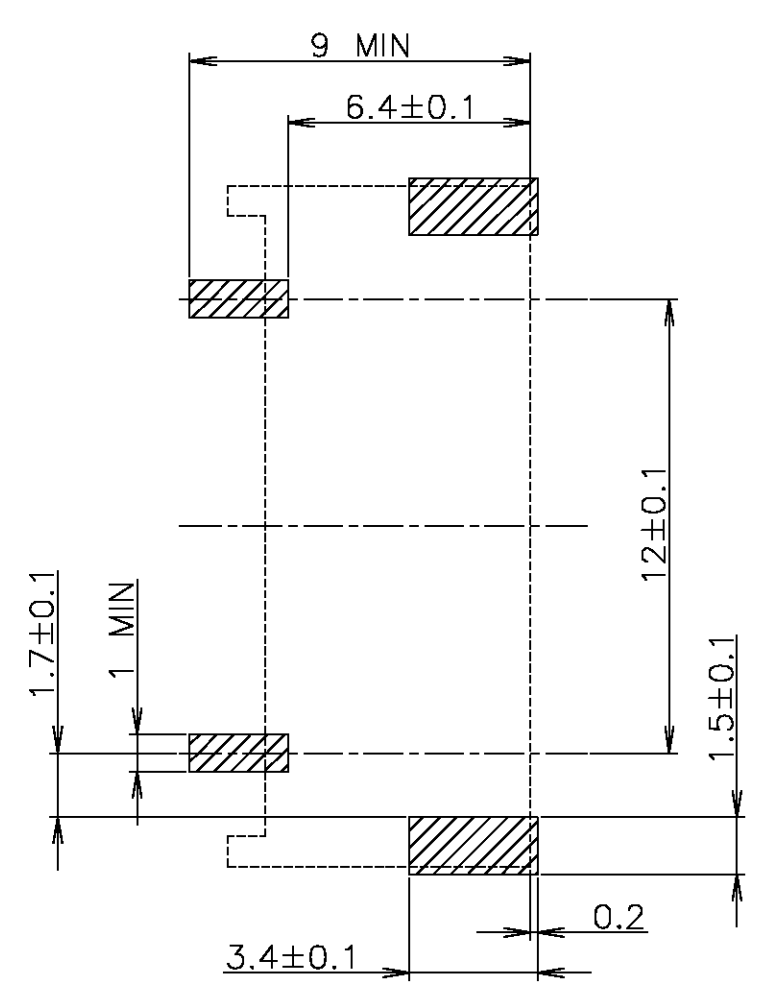
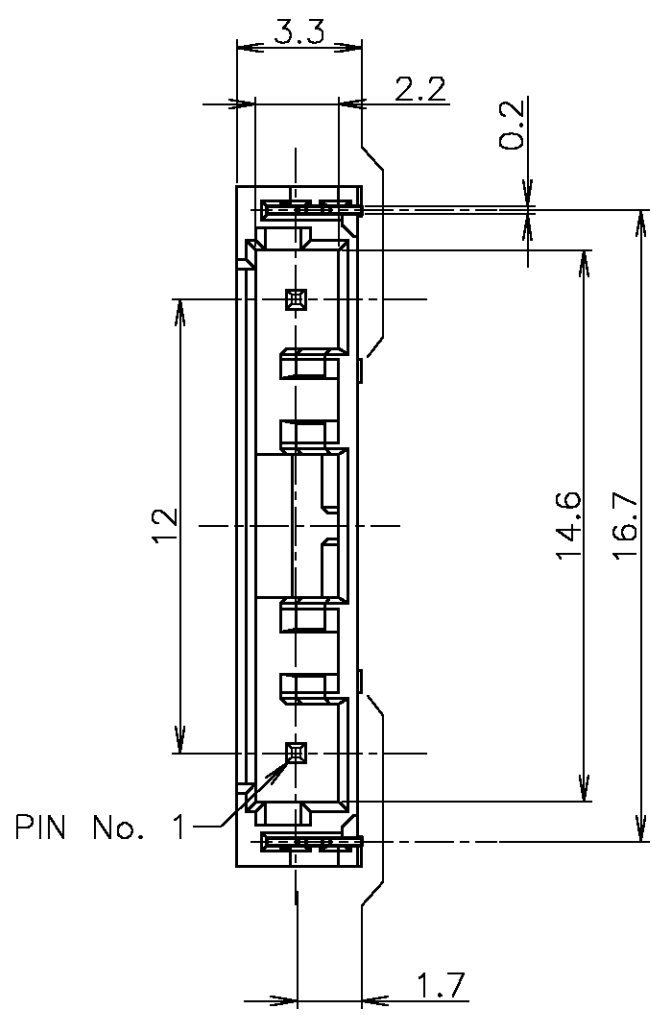
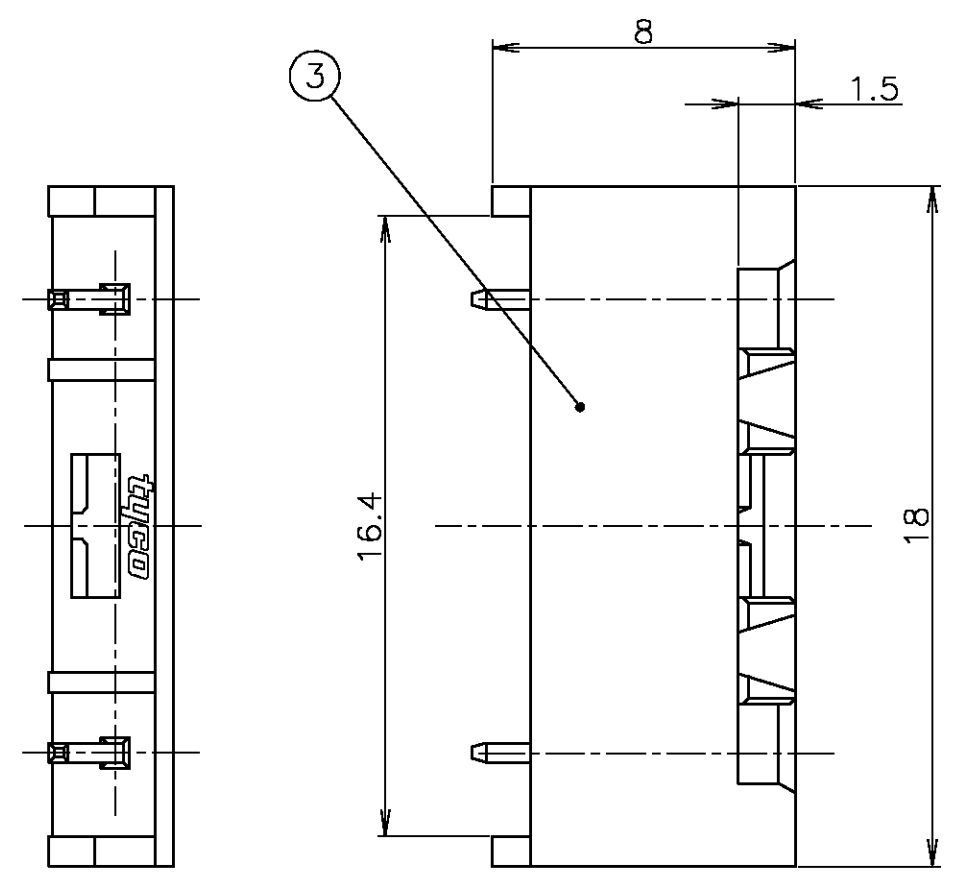


THIS DRAWING IS UNPUBLISHED. RELEASED FOR PUBLICATION
 © COPYRIGHT 2004 BY TYCO ELECTRONICS CORPORATION. ALL RIGHTS RESERVED.

LOC	DIST	REVISIONS			DATE	DWN	APVD
J	/	P	LTR	DESCRIPTION			
		0		RELEASED (FJB0-0845-04)	11AUG04	T.F	H.M



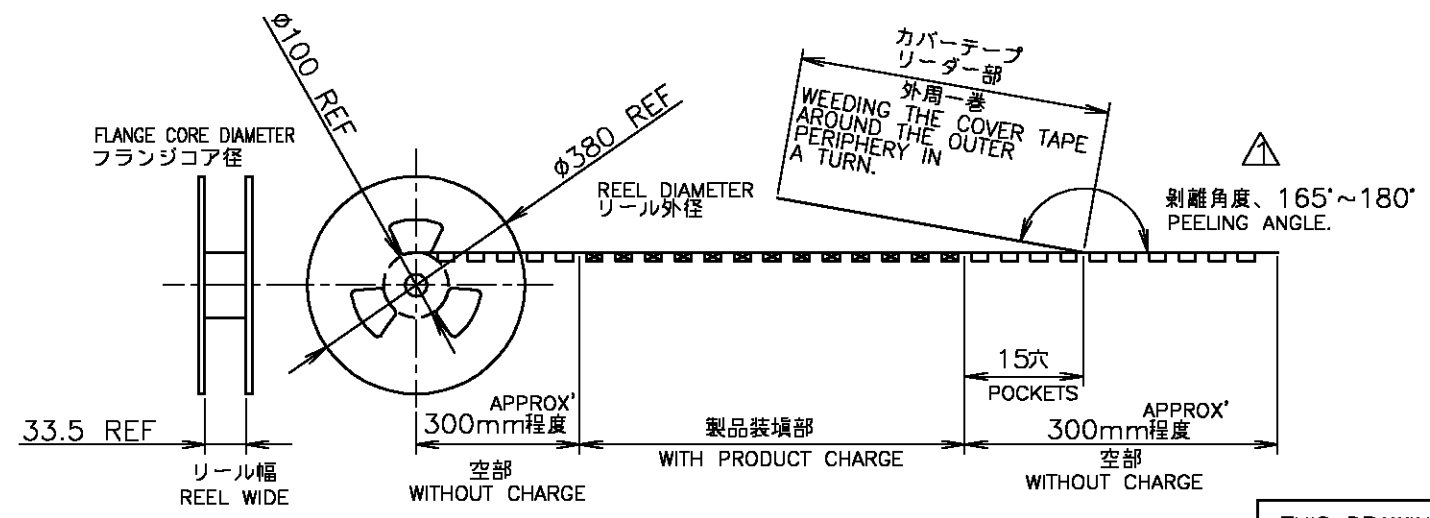
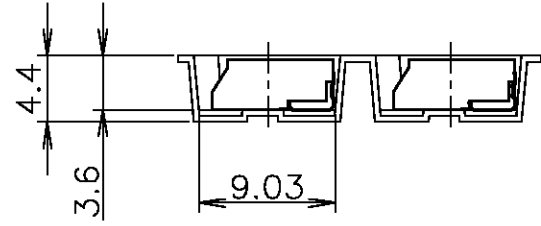
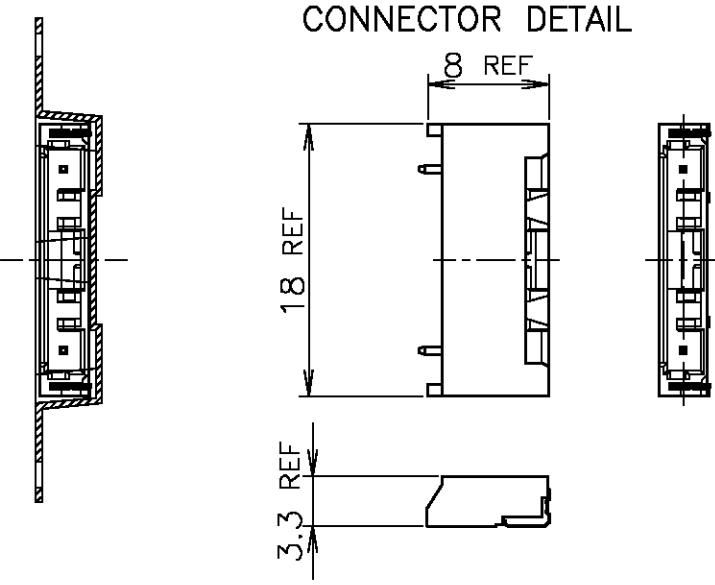
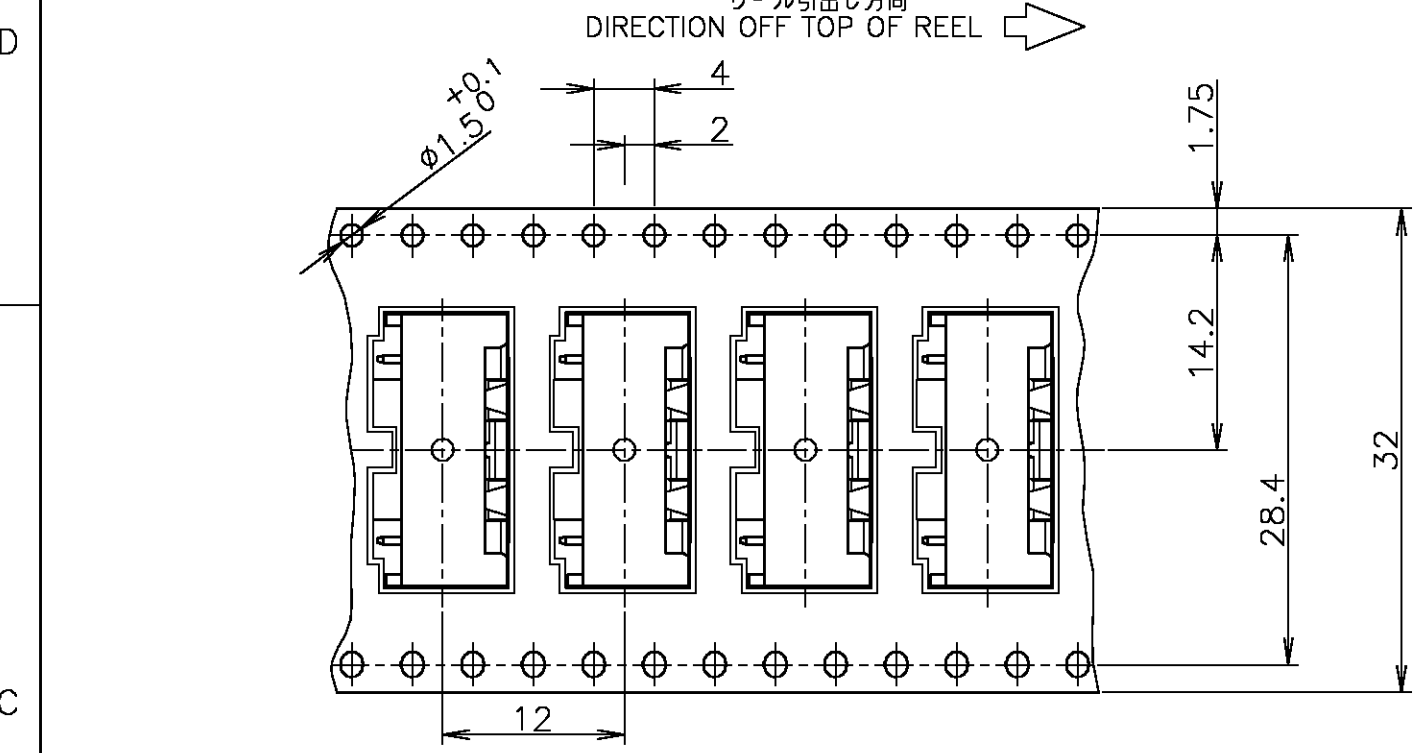
REFERENCE PCB LAYOUT (Tolerance: ±0.05)
 (PCB THICKNESS: 1.60±0.05)

2	黄銅・鍍めつき BRASS, TIN	黄銅・鍍めつき BRASS, TIN	6T ナイロン UL94V-0 6T NYLON UL94V-0	1747531-1
極数 POS	① コンタクト CONTACT	② ペグ PEG	③ ハウジング HOUSING	アッセンブリ 型番 ASSY P/N
	材料・仕上げ MATERIAL, FINISH			

THIS DRAWING IS A CONTROLLED DOCUMENT.		DWN T. FUMIKURA 11AUG04	Tyco Electronics AMP K.K. Kawasaki, Japan																			
DIMENSIONS: 単位: 桁 mm		CHK H. MURAMATSU 11AUG04	NAME H. MURAMATSU 11AUG04																			
TOLERANCES UNLESS OTHERWISE SPECIFIED: 一般公差		PRODUCT SPEC 製品規格																				
<table border="1"> <tr><td>0</td><td>PLZ</td><td>±0.3</td></tr> <tr><td>1</td><td>PLC</td><td>±-</td></tr> <tr><td>2</td><td>PLC</td><td>±-</td></tr> <tr><td>3</td><td>PLC</td><td>±-</td></tr> <tr><td>4</td><td>PLC</td><td>±-</td></tr> <tr><td colspan="2">ANGLES</td><td>±3'</td></tr> </table>		0	PLZ	±0.3	1	PLC	±-	2	PLC	±-	3	PLC	±-	4	PLC	±-	ANGLES		±3'	APPLICATION SPEC 取付適用規格		
0	PLZ	±0.3																				
1	PLC	±-																				
2	PLC	±-																				
3	PLC	±-																				
4	PLC	±-																				
ANGLES		±3'																				
MATERIAL 材料 SEE NOTE		FINISH 仕上 SEE NOTE																				
		WEIGHT	SIZE A3	CAGE CODE 00779																		
		DRAWING NO C-1747531		RESTRICTED TO 番号																		
CUSTOMER DRAWING		SCALE 尺度 5:1	SHEET 1 OF 2	REV 0																		

THIS DRAWING IS UNPUBLISHED. RELEASED FOR PUBLICATION
 © COPYRIGHT 2004 BY TYCO ELECTRONICS CORPORATION. ALL RIGHTS RESERVED.

LOC	DIST	REVISIONS		
		P	LTR	DESCRIPTION
J	/	-	-	SEE SHEET 1
				DATE
				DWN
				APVD



THIS DRAWING IS A CONTROLLED DOCUMENT.		DWN	Tyco Electronics AMP K.K. Kawasaki, Japan	
DIMENSIONS: 単位: 耗 mm		CHK	NAME 名称	
TOLERANCES UNLESS OTHERWISE SPECIFIED: 一般公差		APVD	BACK LIGHT CONN. 12mm PITCH 2POS. HDR ASSY WITH LOCK SMT TYPE	
0 PLC ± 0.3		PRODUCT SPEC	SIZE	CAGE CODE
1 PLC ± 0.3		製品規格	A3	00779
2 PLC ± 0.3		APPLICATION SPEC	DRAWING NO	REV
3 PLC ± 0.3		取付適用規格	C=1747531	0
4 PLC ± 0.3		WEIGHT	RESTRICTED TO	
ANGLES ± 5'		CUSTOMER DRAWING	SCALE 尺度 2:1	SHEET 2 OF 2
MATERIAL 材料 SEE NOTE	FINISH 仕上 SEE NOTE			