

4

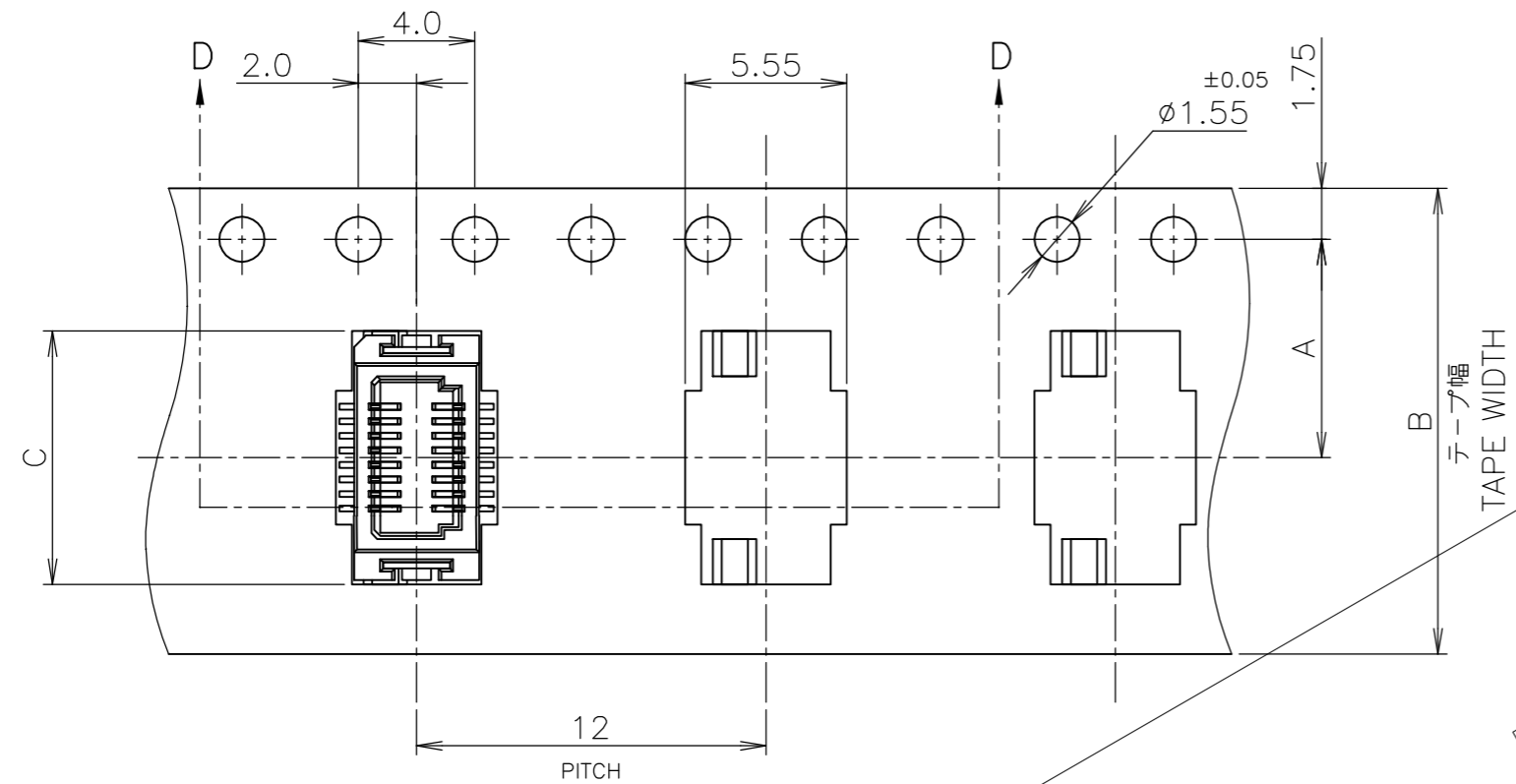
3

2

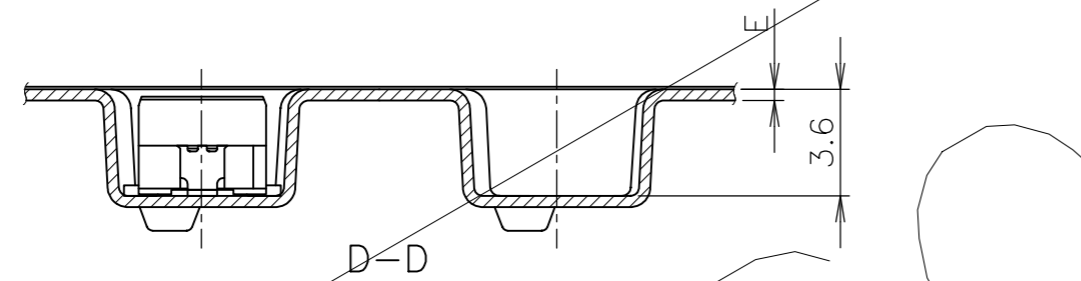
1

THIS DRAWING IS UNPUBLISHED. RELEASED FOR PUBLICATION APR ,2004.
 © COPYRIGHT 2004 By - ALL RIGHTS RESERVED.

| REVISIONS | | | | |
|-----------|-----|------------------------|-----------|---------|
| P | LTR | DESCRIPTION | DATE | APVD |
| | A2 | RELEASED ECO-18-008173 | 28MAY2018 | R.L H.L |

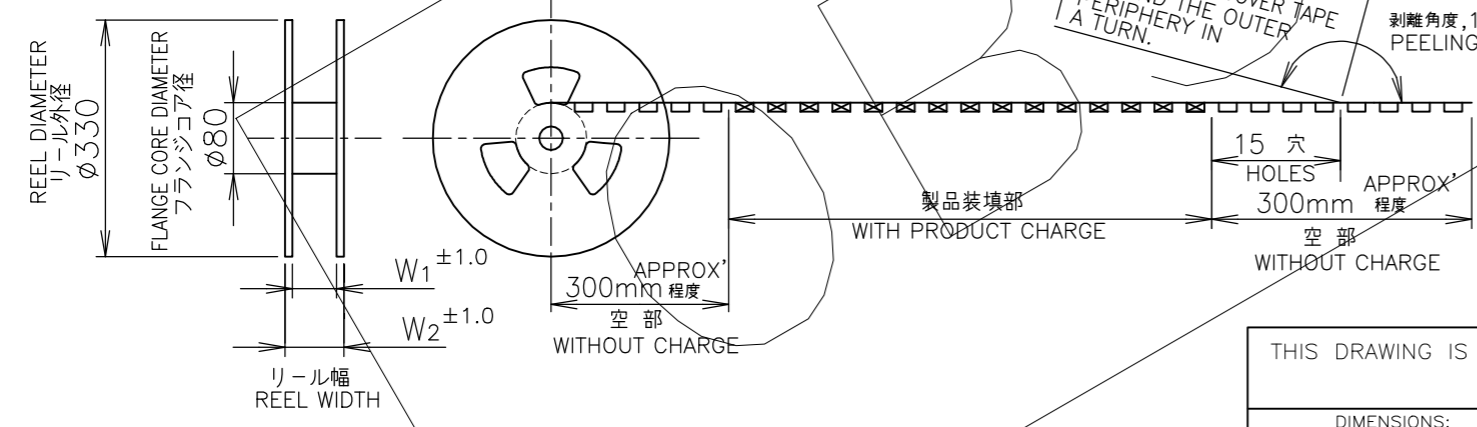


引出し方向
TOP OF REEL



カバーテープ
外周一巻
WEEDING AROUND THE COVER TAPE PERIPHERY IN A TURN.
剥離角度, 165°~180°
PEELING ANGLE.

鉛フリー
LEAD FREE



THIS DRAWING IS A CONTROLLED DOCUMENT.

| DIMENSIONS: 単位: 耗 MM | TOLERANCES UNLESS OTHERWISE SPECIFIED: 一般公差 |
|----------------------------|---|
| | 0 PLC ± 0.3 |
| | 1 PLC ± 0.3 |
| | 2 PLC ± 0.3 |
| | 3 PLC ± 0.3 |
| | 4 PLC ± 0.3 |
| | ANGLES ± 3' |

MATERIAL 材料 FINISH 仕上

| | | |
|--|--|------------------------|
| INSTRUCTION SHEET 取扱説明書 411-5808 | WIRE RANGE 包含電線断面積 | INSULATION DIA 被覆外径 |
| DWN Y.NAKAZAWA 23APR04 | TE Connectivity Ltd. | |
| CHK T.KUSUHARA 23APR04 | | |
| APVD H.MURAMATSU 23APR04 | NAME 名称 | |
| PRODUCT SPEC 製品規格 108-5496 | 0.5mm PITCH FINE MATE CONN. TAB ASSEMBLY WITH KEY (H=4.5) | |
| APPLICATION SPEC 取付適用規格 | SIZE A3 | CAGE CODE 00779 |
| WEIGHT | DRAWING NO 番号 C-1747038 | RESTRICTED TO |
| CUSTOMER DRAWING | SCALE 尺度 4:1 | SHEET 1 of 2 |
| | | REV A2 |

4

3

2

1

THIS DRAWING IS UNPUBLISHED.

RELEASED FOR PUBLICATION

APR ,2004.

© COPYRIGHT 2004 By -

ALL RIGHTS RESERVED.

REVISIONS

変更

| P | LTR | DESCRIPTION | DATE | DWN | APVD |
|---|-----|-------------|------|-----|------|
| - | - | SEE SHEET 1 | - | - | - |

D

D

C

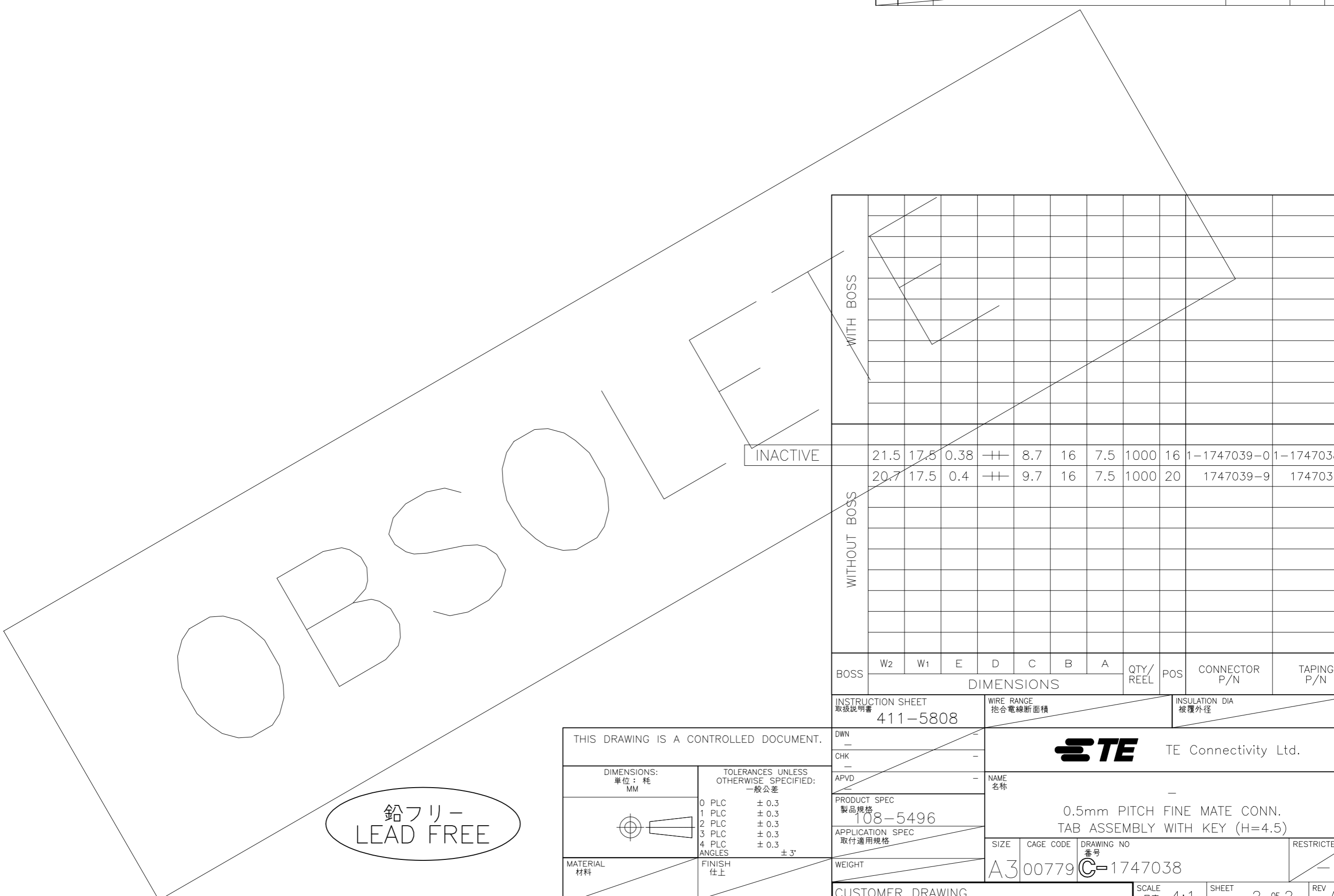
C

B

B

A

A



| BOSS | DIMENSIONS | | | | | | | QTY/ REEL | POS | CONNECTOR P/N | TAPING P/N |
|--------------|------------|------|------|----|-----|----|-----|--------------|-----|------------------|---------------|
| | W2 | W1 | E | D | C | B | A | | | | |
| WITH BOSS | 21.5 | 17.5 | 0.38 | ++ | 8.7 | 16 | 7.5 | 1000 | 16 | 1-1747039-0 | 1-1747038-0 |
| WITHOUT BOSS | 20.7 | 17.5 | 0.4 | ++ | 9.7 | 16 | 7.5 | 1000 | 20 | 1747039-9 | 1747038-9 |

INACTIVE

WITH BOSS

WITHOUT BOSS

鉛フリー
LEAD FREE

THIS DRAWING IS A CONTROLLED DOCUMENT.

| | |
|----------------------------|---|
| DIMENSIONS: 単位: 耗 MM | TOLERANCES UNLESS OTHERWISE SPECIFIED: 一般公差 |
| | 0 PLC ± 0.3 |
| | 1 PLC ± 0.3 |
| | 2 PLC ± 0.3 |
| | 3 PLC ± 0.3 |
| | 4 PLC ± 0.3 |
| | ANGLES ± 3' |

MATERIAL
材料

FINISH
仕上

DWN -

CHK -

APVD -

PRODUCT SPEC
製品規格

108-5496

APPLICATION SPEC
取付適用規格

WEIGHT

CUSTOMER DRAWING

INSTRUCTION SHEET
取扱説明書
411-5808

WIRE RANGE
包含電線断面積

INSULATION DIA
被覆外径

STE TE Connectivity Ltd.

NAME
名称

0.5mm PITCH FINE MATE CONN.
TAB ASSEMBLY WITH KEY (H=4.5)

| | | | |
|------|-----------|------------------|---------------|
| SIZE | CAGE CODE | DRAWING NO 番号 | RESTRICTED TO |
| A3 | 00779 | C-1747038 | - |

SCALE
尺度 4:1 SHEET 2 OF 2 REV A2