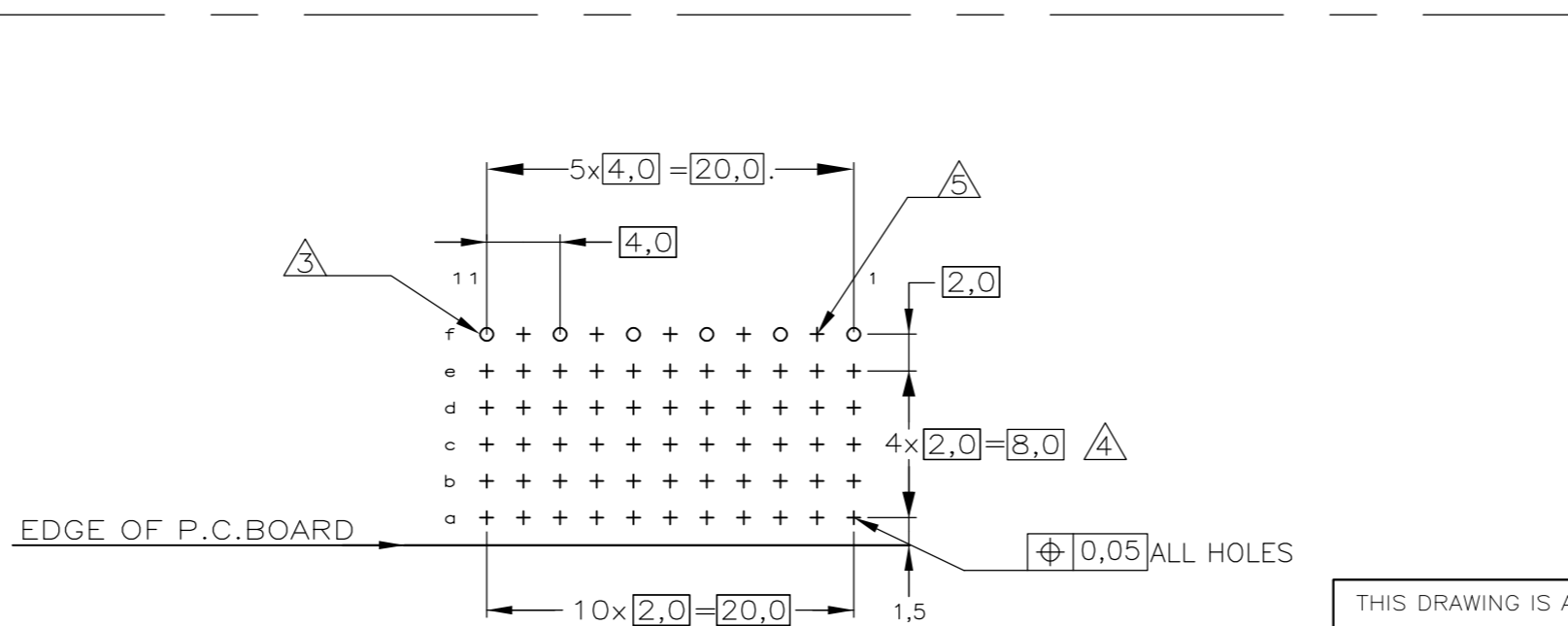
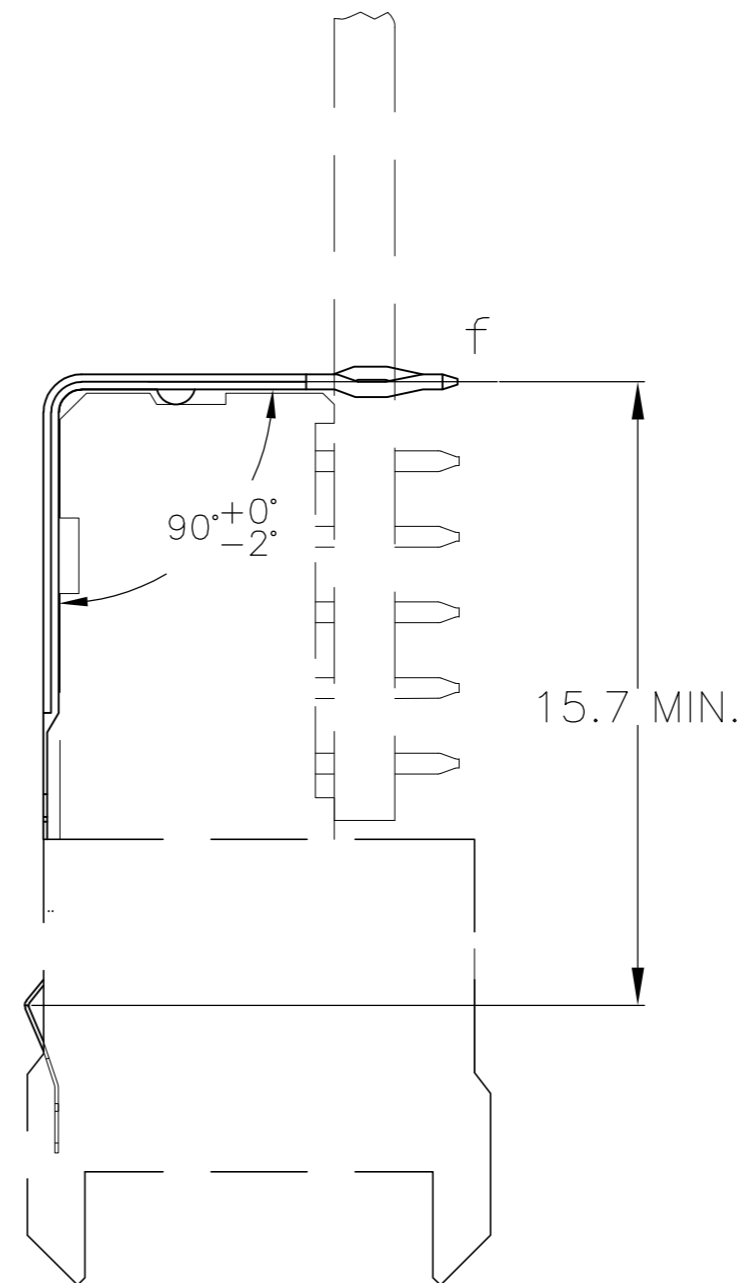
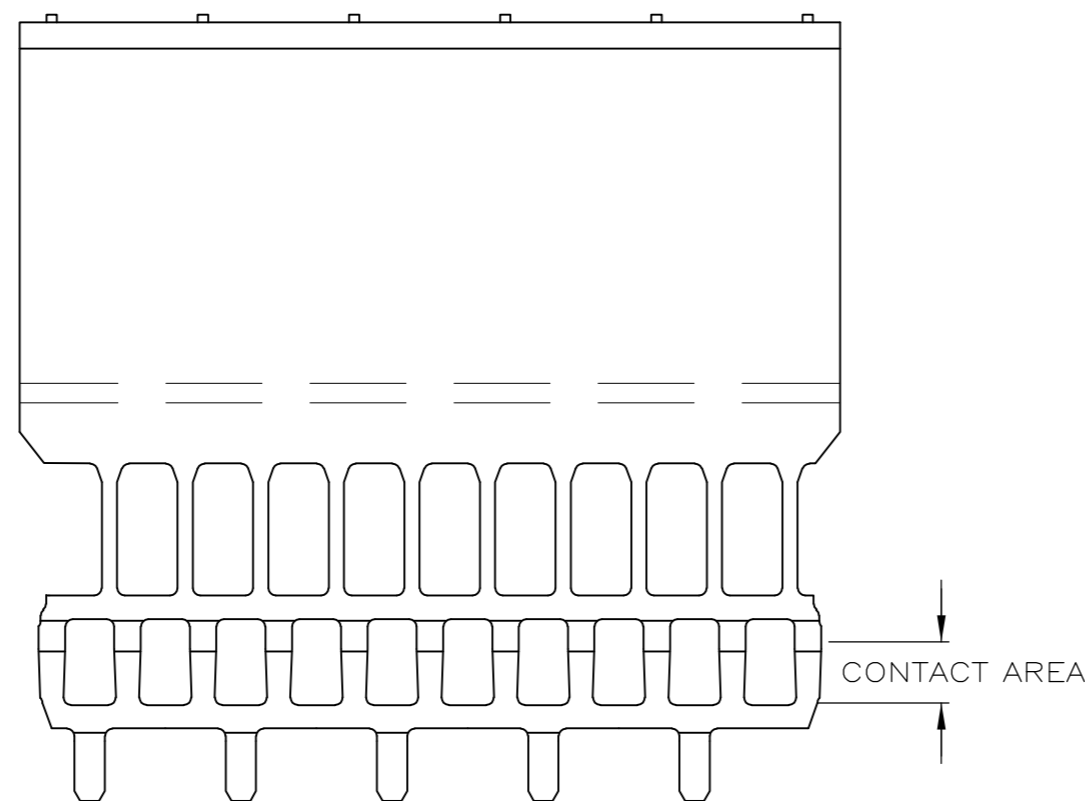
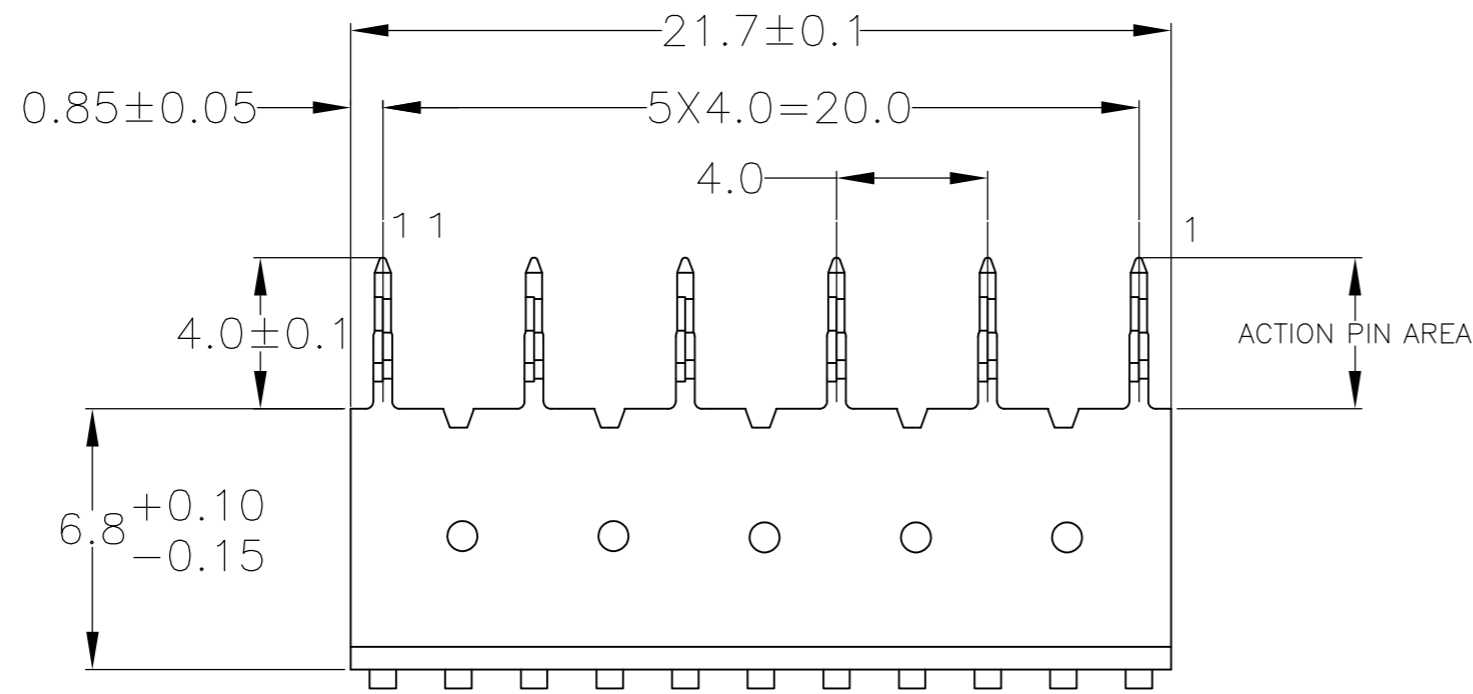


THIS DRAWING IS UNPUBLISHED. RELEASED FOR PUBLICATION
 © COPYRIGHT BY TYCO ELECTRONICS CORPORATION. ALL RIGHTS RESERVED.

LOC	DIST	REVISIONS					
J	-	P	LTR	DESCRIPTION	DATE	DWN	APVD
		01		REVISED ECR-06-004802	28FEB06	T.K	K.K
		02		REVISED PER ECO-09-024927	07NOV09	KK	AEG



P.C.B. HOLE DIM. ACTION PIN
 FIN. HOLE : 0,55 TO 0,65 mm
 OTHER REQUIREMENTS: SEE APPLICATION SPECIFICATION 114-19029

COMPONENT SIDE AS SHOWN
 RECOMMENDED PCB-HOLE LAY-OUT

NOTES:

- ⚠️ PLATING:
 CONTACT AREA: 0,76 μm Au MIN. OVER 1,27 μm Ni MIN.
 ACTION PIN : 0,5 μm SnPb MIN. (NO CONVERSION TO LEADFREE)
 REMAINDER : Ni
- ⚠️ MATERIAL; PHOSPHORBRONZE.
- ⚠️ ROW "f" 6 PLATED THROUGH HOLES FOR UPBERSHIELD
- ⚠️ HOLE PATTERN FOR FEMALE CONNECTOR TYPE C
 55 PLATED-THROUGH HOLES AT 2x2mm SQUARE GRID
- ⚠️ ROW "f" 5 PLATED THROUGH HOLES FOR LOWERSHIELD
- ⚠️ PLATING:
 CONTACT AREA: 0,76 μm Au MIN. OVER 1,27 μm Ni MIN.
 ACTION PIN : 0,5 μm Sn MIN.
 REMAINDER : Ni
- ⚠️ OBSOLETE PARTS: OBSOLETE CIS STREAMLINING PER D.RENAUD/D.SINISI

⚠️ OBSOLETE	⚠️	⚠️	1746987-2
⚠️	⚠️	⚠️	1746987-1
FINISH	MATERIAL	PART NUMBER	

THIS DRAWING IS A CONTROLLED DOCUMENT.		DWN T.KATANO 31MAY04	Tyco Electronics AMP K.K. Kawasaki, Japan	
DIMENSIONS: 単位: 純 mm		CHK T.KIMURA 31MAY04	NAME Z-PACK 2mm HM GROUND RETURN UPPER SHIELD TYPE C/M	
TOLERANCES UNLESS OTHERWISE SPECIFIED: 一般公差 ±0.3		APVD K.IKEGAMI 31MAY04	DRAWING NO 114-19029	
0-PLC ± 1-PLC ± 2-PLC ± 3-PLC ± 4-PLC ± ANGLES ± 3°		PRODUCT SPEC 108-19082	SIZE A2	RESTRICTED TO -
MATERIAL 材料		APPLICATION SPEC 取付適用規格	CAGE CODE 00779	SCALE 尺度 5:1
FINISH 仕上		WEIGHT -	DRAWING NO C=1746987	SHEET 1 OF 1
CUSTOMER DRAWING			REV 02	