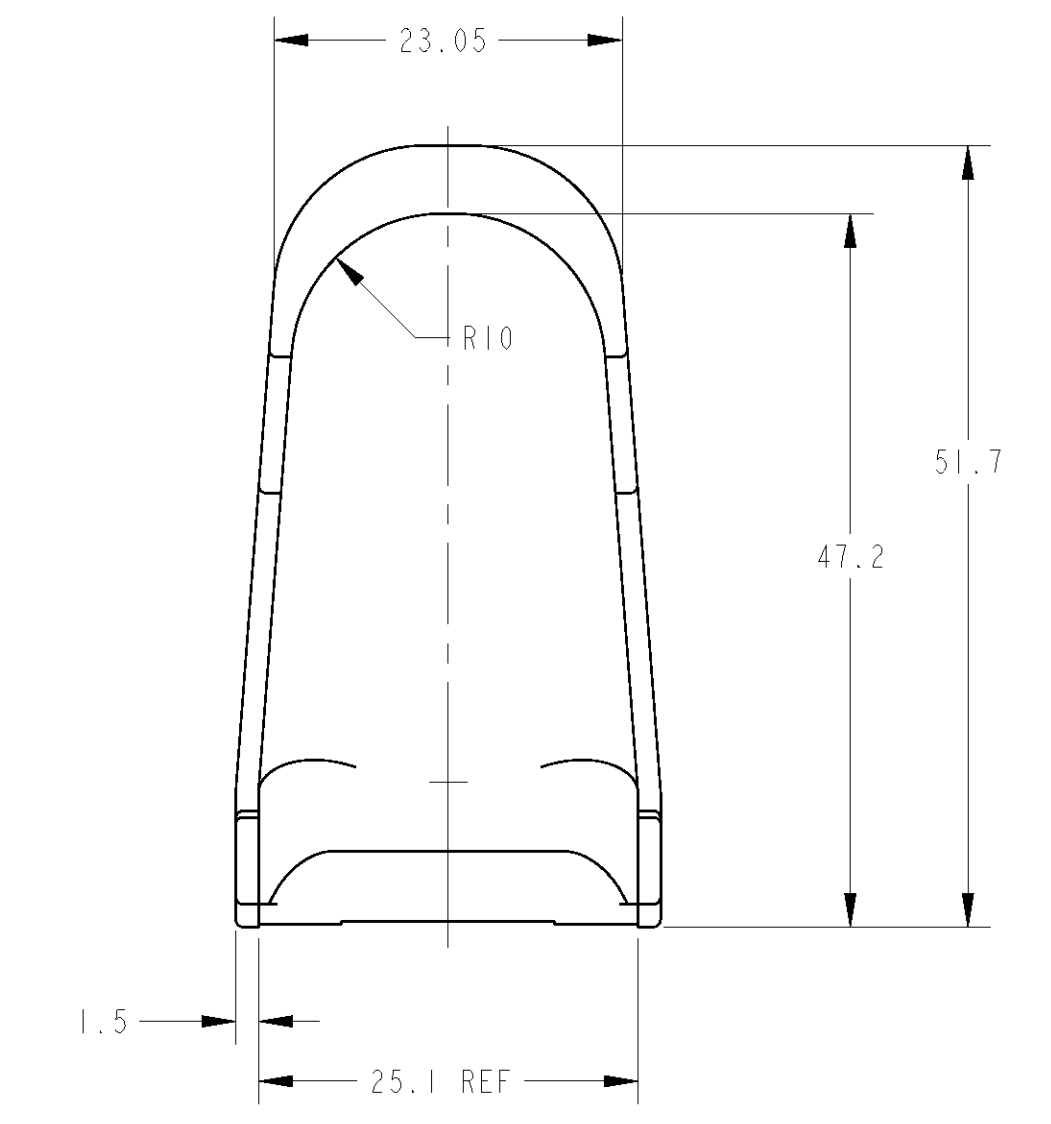
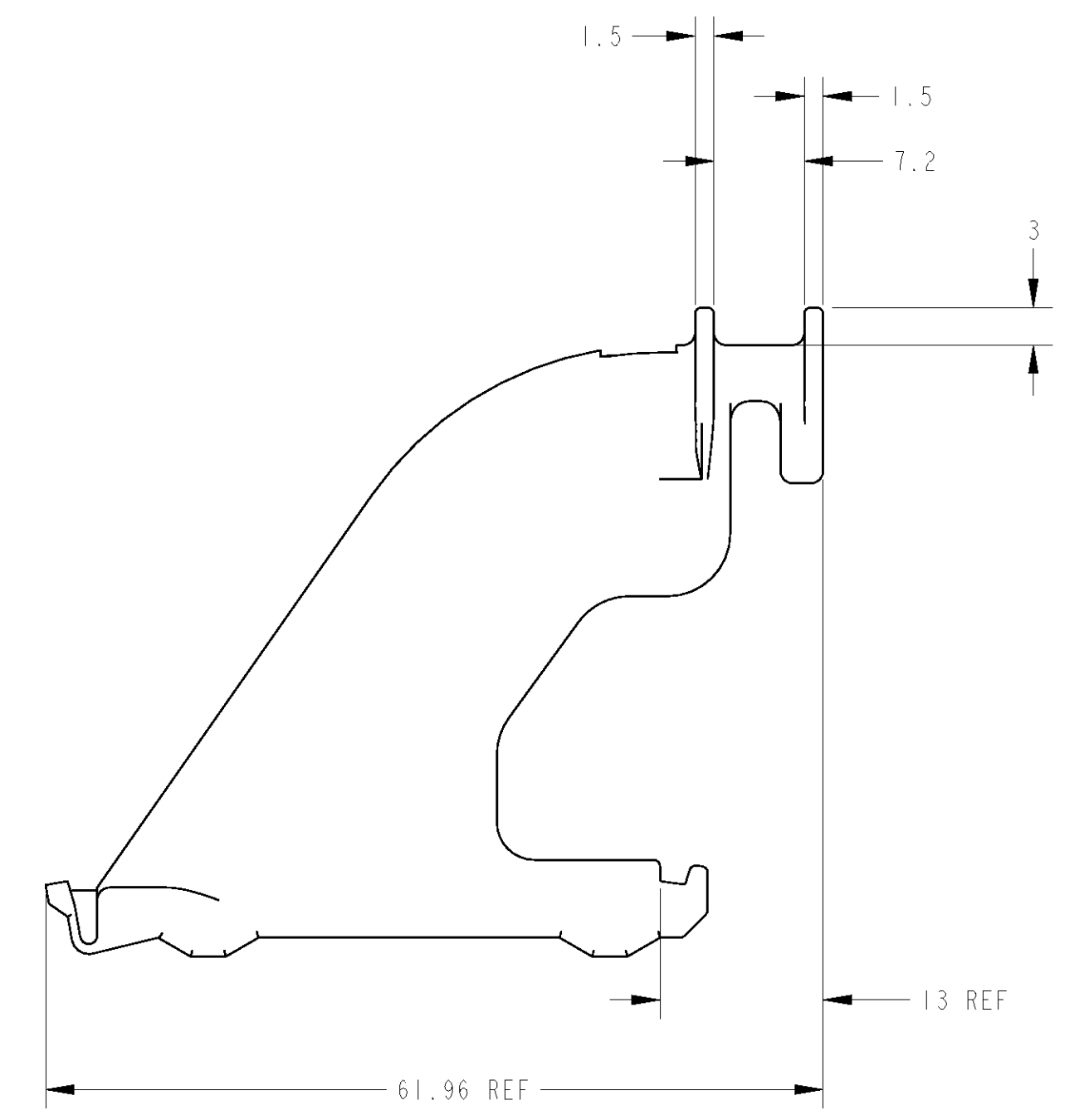
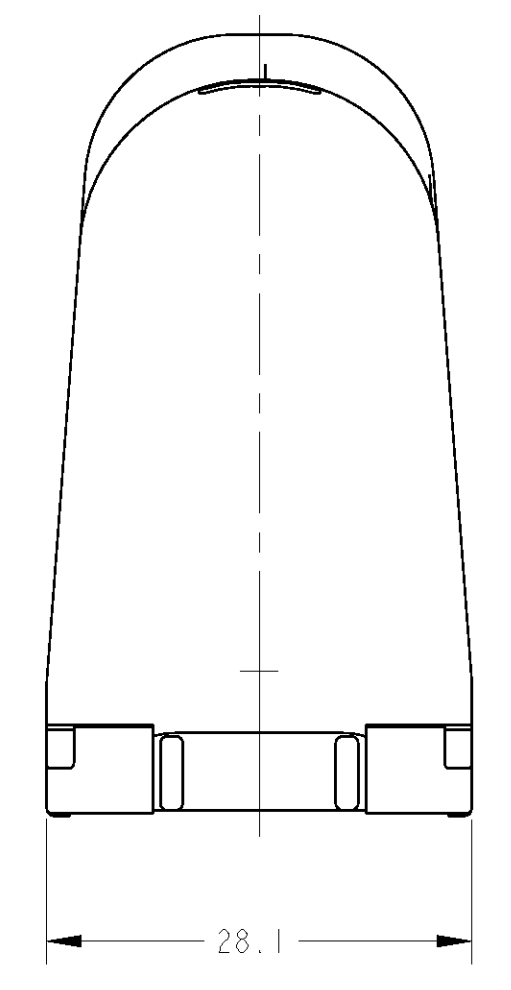
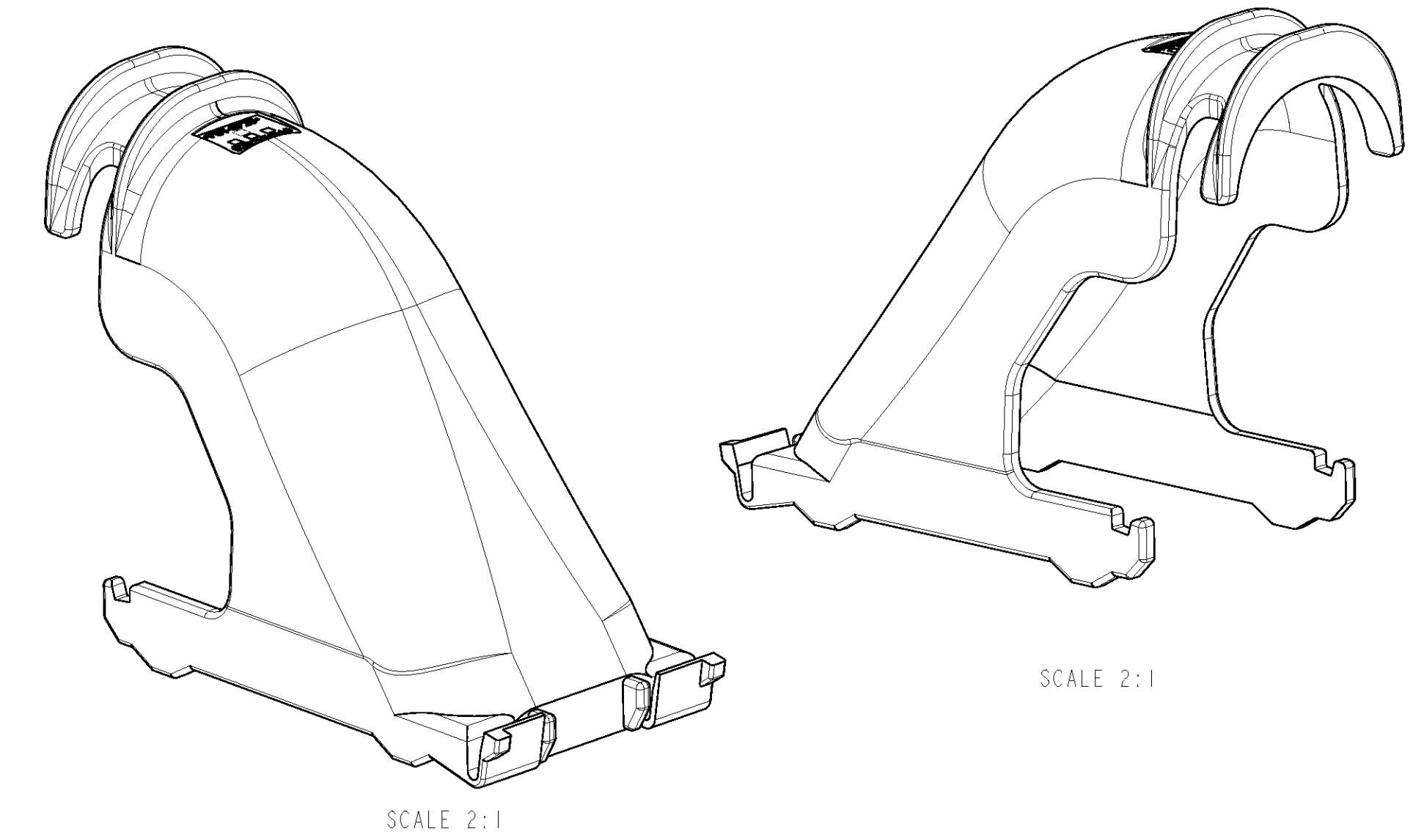
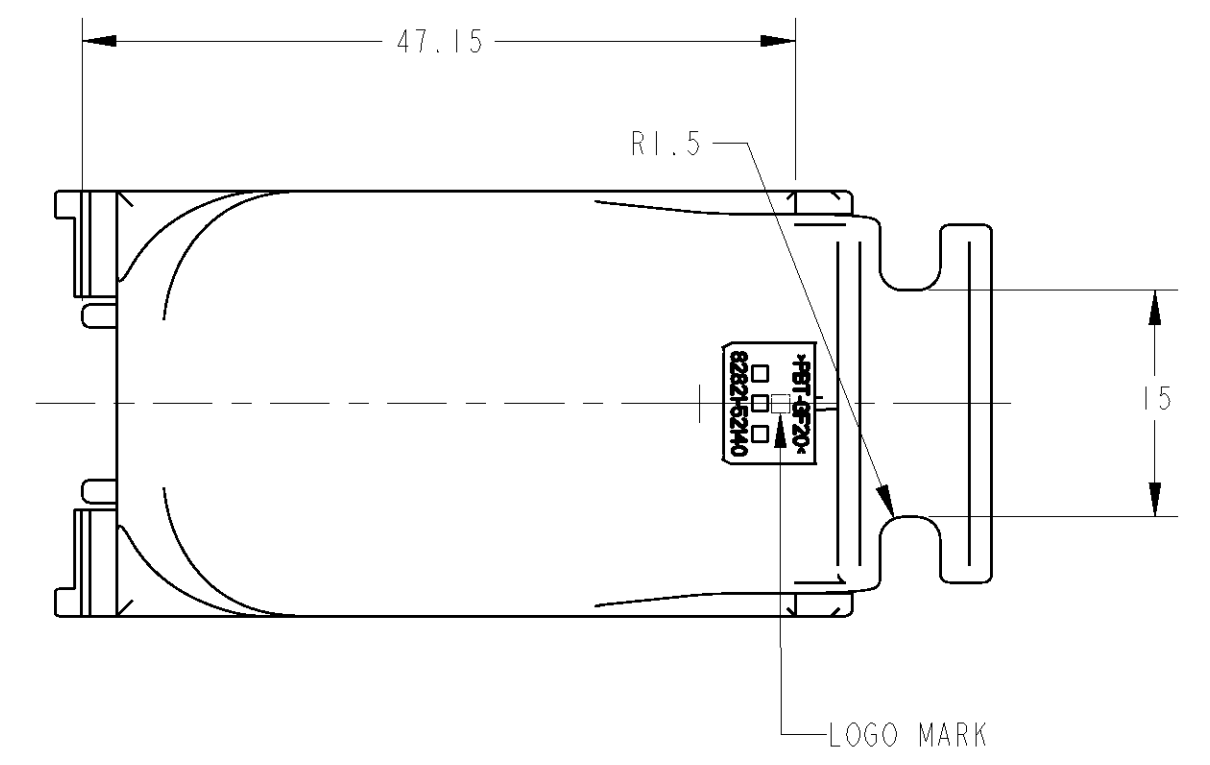


REV. NO.		REVISIONS			
REV.	DATE	DESCRIPTION	DATE	DWN.	APVD.
A	03SEP07	RELEASED	03SEP07	SS	HY
B	20APR10	REVISED ECR-10-007503	20APR10	TS	KB



- MATING CONNECTOR P/N: 1612283, 1747140
 - HANDLING OF THIS PART SHOULD FOLLOW INSTRUCTION SHEET NO. 411-78084
 - ASSEMBLY BY CUSTOMER.
1. 嵌合相手型番: 1612283, 1747140
 2. 本製品の取扱説明書NO. 411-78084に従うこと
 3. ワイヤカバーは顧客にて組立てられる。

PAPER BOX タンボール箱	PLASTIC BAG ビニール袋	BLACK	1746817-1
OUTER 外装	INNER 内装	COLOR	P/N
PACKING STYLE 梱包形態			

DIMENSIONS: mm		TOLERANCES UNLESS OTHERWISE SPECIFIED: ±0.5		DWN: S. SHISHIKURA 03SEP07		E.C.W: K. SAKAMAKI 03SEP07		APVD: H. YAMAGAMI 03SEP07		NAME: Tyco Electronics Tyco Electronics Corporation Kawasaki, Japan	
MATERIAL: PBT GF20		FINISH: SEE TABLE		WEIGHT: 8.6g		SIZE: A		CAGE CODE: 00779		DRAWING NO: C=1746817	
CUSTOMER DRAWING										SCALE: 2:1 SHEET 1 OF 1 REV B	