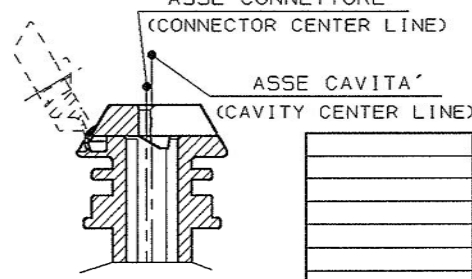
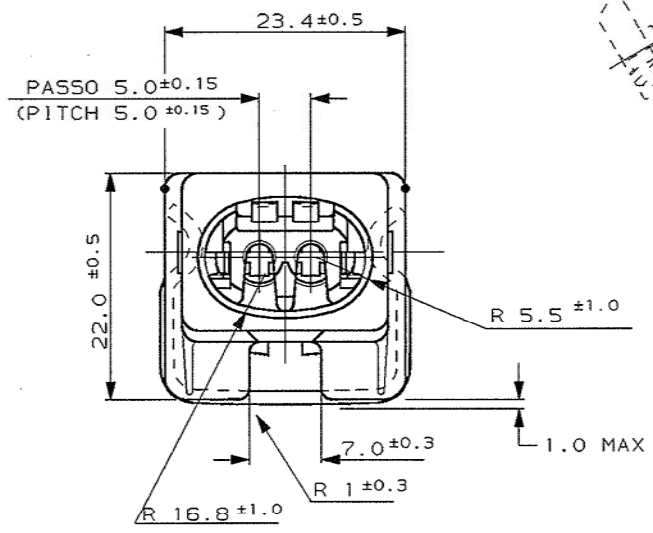
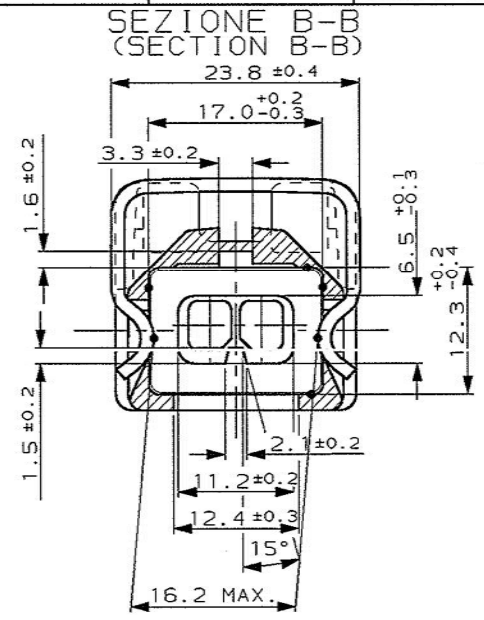
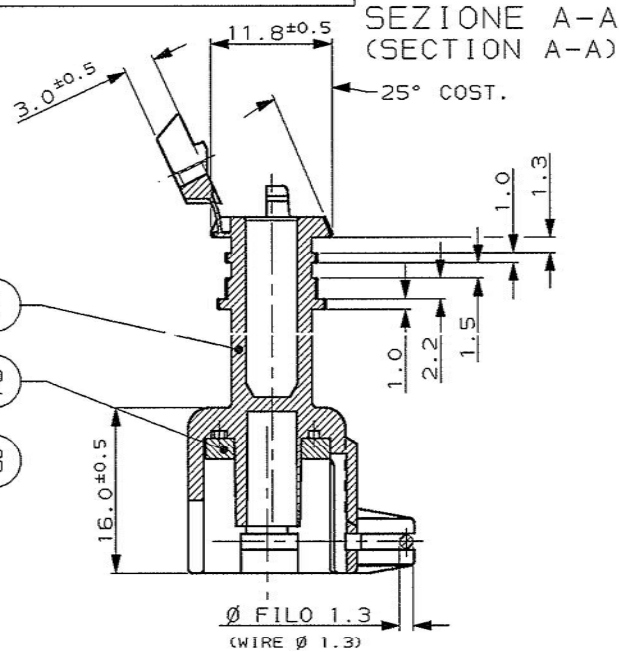
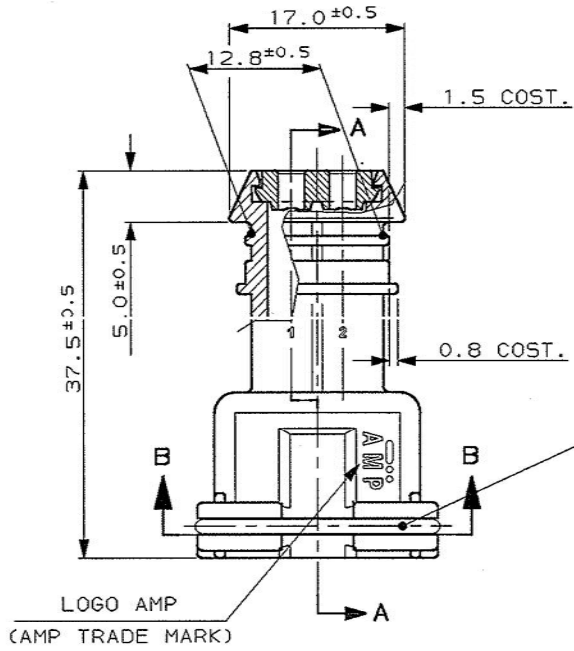


CONNETTORE TIPO A (CON MOLLA DI RITEGNO ESTERNA)
CONNECTOR TYPE A (WITH EXTERNAL SPRING)

SCALA NON IMPEGNATIVA
(DO NOT SCALE)
DIMENSIONI IN mm
(DIMENSIONS IN mm)

METRIC

PROIEZIONE EUROPEA
(EUROPEAN PROJECTION)



		3	//////	ACCIAIO INOX (STAINLESS STEEL)	MOLLA (SPRING)
		2	NATURALE (CLEAR)	GOMMA SILICONICA (SILICONE RUBBER)	GUARNIZIONE (SEALING)
		1	//////	PA 6.6	BLOCCETTO (HOUSING)
ARANCIONE (ORANGE)	NUMERO (PART N°)	1745027-1			
COLORE (COLOR)	N° (ITEM)	FINITURA / COLORE (FINISH / COLOUR)	MATERIALE (MATERIAL)	DESCRIZIONE (DESCRIPTION)	
		CUSTOMER DWG. FOR REFERENCE ONLY		DISEGNO PER CLIENTE SOLO PER RIFERIMENTO	
THIS DRAWING IS UNPUBLISHED		RELEASE FOR PUBLICATION		19	
© COPYRIGHT 19 BY AMP INCORPORATED, HARRISBURG, PA. ALL INTERNATIONAL RIGHT RESERVED. AMP PRODUCTS MAY BE COVERED BY U.S. AND FOREIGN PATENT AND/OR PATENT PENDING					
TOLLERANZE: SE NON DIVERSAMENTE SPECIFICATO (TOLERANCES, UNLESS OTHERWISE SPECIFIED)	DIAH. ISOLANTE (INS. DIA. RANGE)	RANGO FILO (WIRE RANGE)	SCALA (SCALE)		
± 0.3			---		
ANGOLI (ANGLES)	± 2°		TE Connectivity		
B ECO-15-014464	M.P. 2015	7007	DIS. 17 SEPT 04		
A1 REVISED PER ECR-07-012055	M.G. 2007	28-5	CONT. M. PALMA		
A FIRST ISSUE ET00-0191-04	M.P. 2004	17-3	R. MARTINI		
REV. (REV. NO.)	REVISIONI (REVISION RECORD)	DIS. (DR)	DATA (DATE)	APP. (APP.)	DESCRIZIONE (DESCRIPTION)
					2 POS. SPLASH PROOF CONN. ASS'Y with CLOSED CAVITIES
				LOC. SIZE (LWS NO)	REV. FOGLIO (SHEET)
				I A3 C-1745027	B 1 01 (CF) 1

DISTRIBUZIONE (PRINT DIST.)