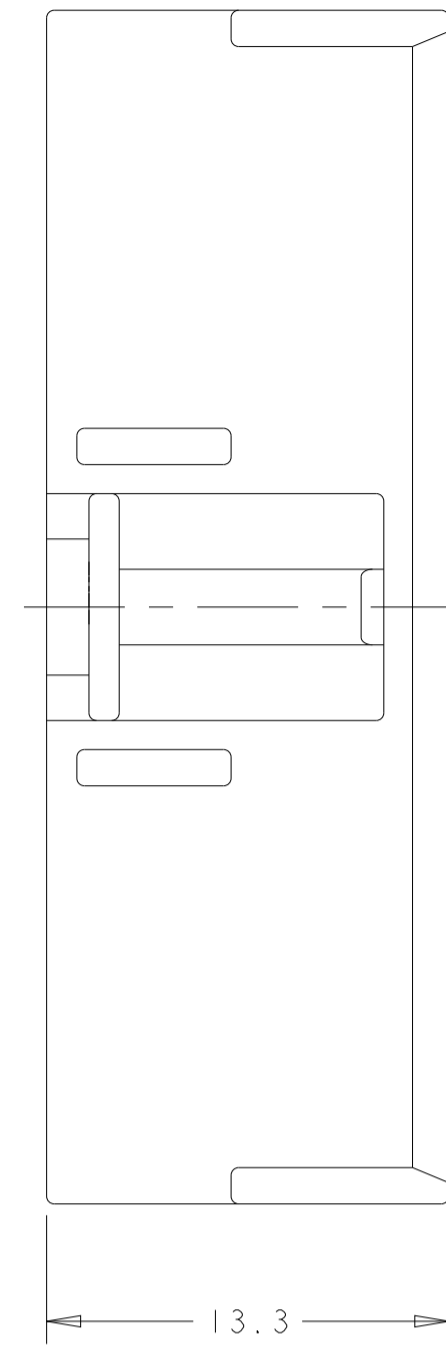
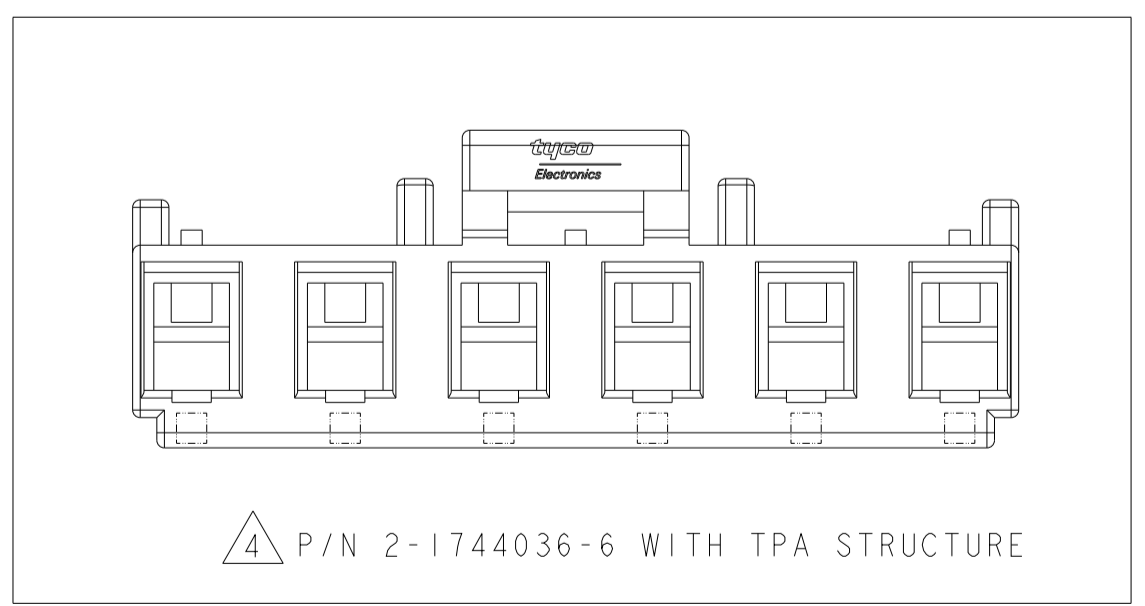
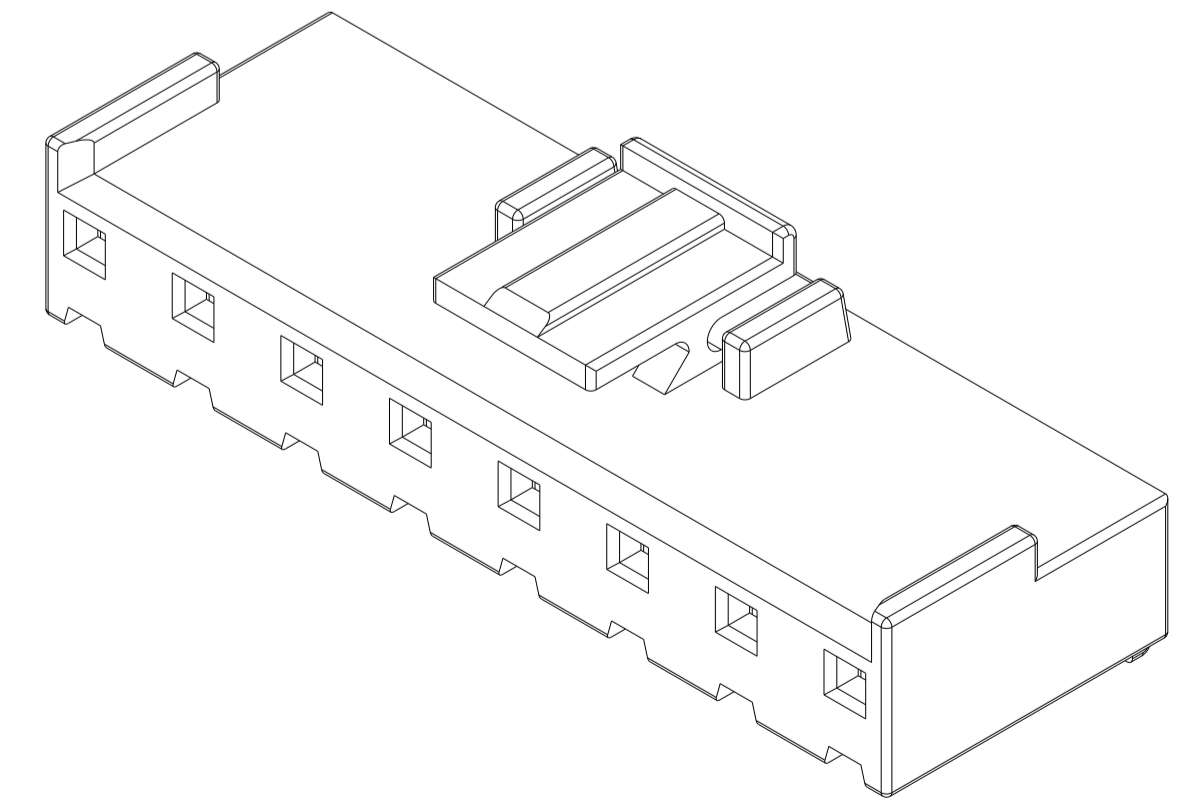
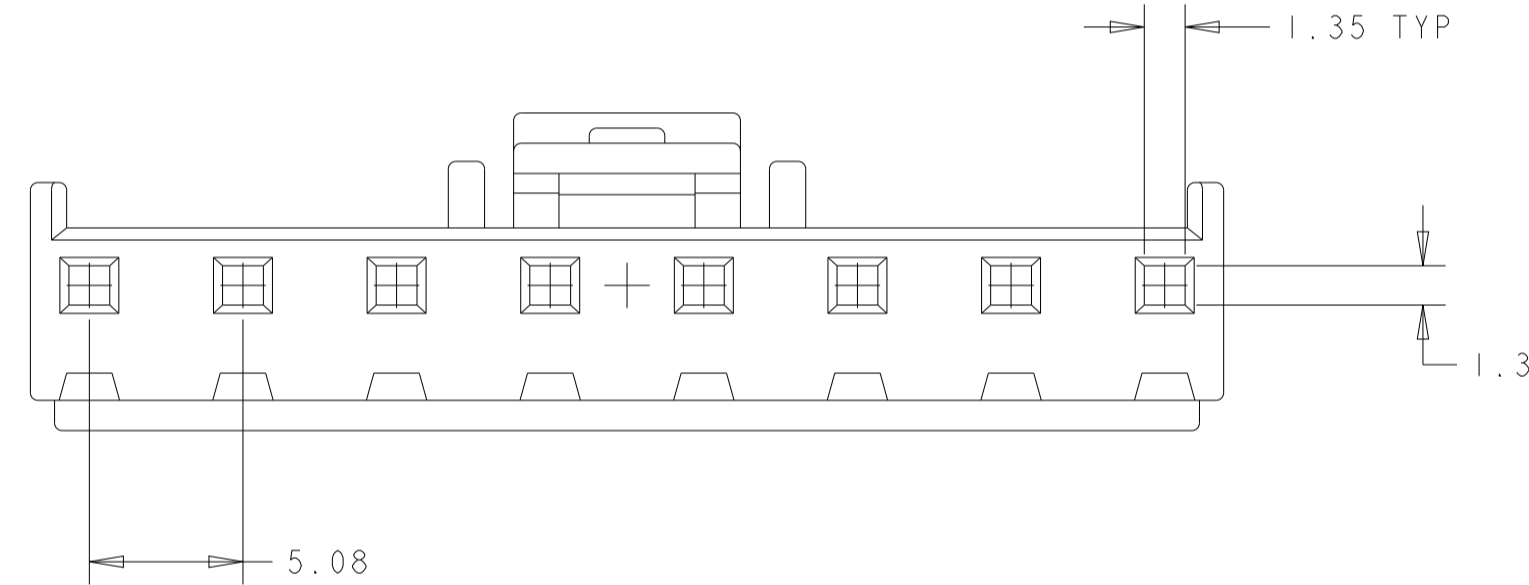
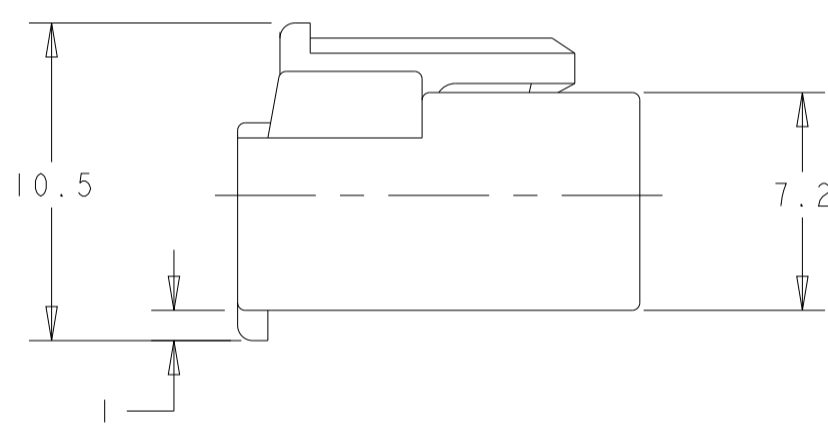
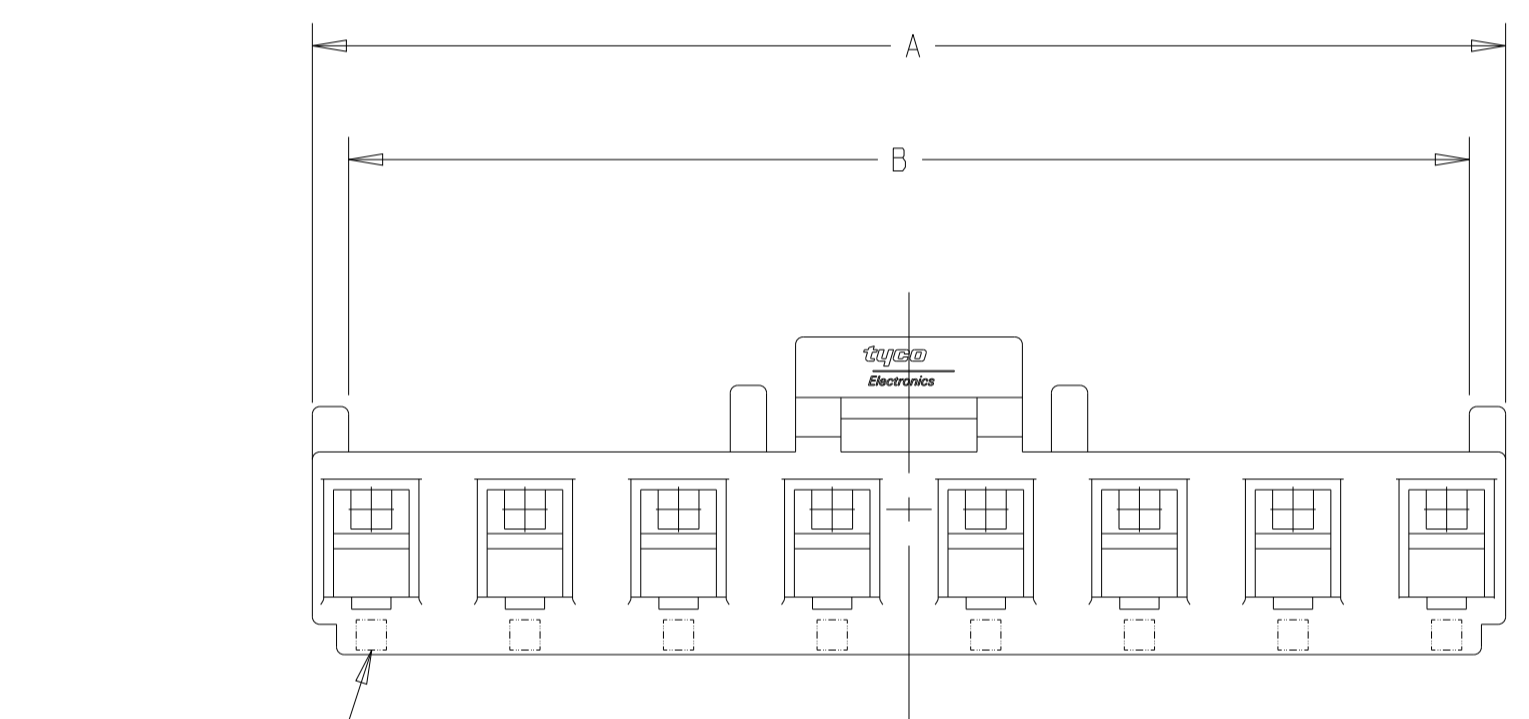


REVISIONS				
P	LTN	DESCRIPTION	DATE	DWN APVD
R		REVISED PER ECR-23-165705	18AUG2023	WH LC



- △ MATERIAL : NYLON, UL94V-0, COLOR: NATURAL ;
- 2. APPLICABLE CONTACT P/N: 1123721-2 ;
- 3. MATING CONN. P/N: □ -1744037- □ ;
- △ P/N WITH TPA STRUCTURE ;



26.90	29.30	6	2-1744036-6
57.38	59.78	12	1-1744036-2
52.28	54.70	11	1-1744036-1
47.22	49.62	10	1-1744036-0
42.14	44.54	9	1744036-9
37.06	39.46	8	1744036-8
31.98	34.38	7	1744036-7
26.90	29.30	6	1744036-6
21.82	24.22	5	1744036-5
16.74	19.14	4	1744036-4
11.66	14.06	3	1744036-3
6.58	8.98	2	1744036-2
DIM B	DIM A	CKT	PART NO.

THIS DRAWING IS A CONTROLLED DOCUMENT. DWN K. WHITAKER 07OCT2004  
 CHK D. BOSSI 07OCT2004

**STE** TE Connectivity

NAME: RECEPTACLE, ECONOMY POWER, .200 CENTERLINE

PRODUCT SPEC: 108-5609  
 APPLICATION SPEC: 114-5253

SIZE: A1 CAGE CODE: 100779 DRAWING NO: 1744036

MATERIAL: - FINISH: - WEIGHT: - CUSTOMER DRAWING

SCALE: N/A SHEET 1 OF 1 REV R