

4

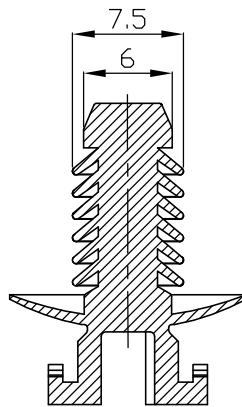
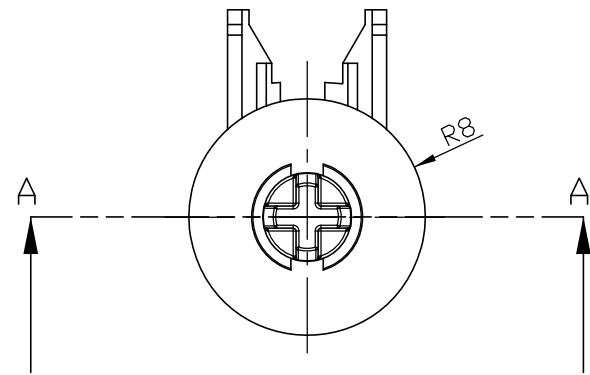
3

2

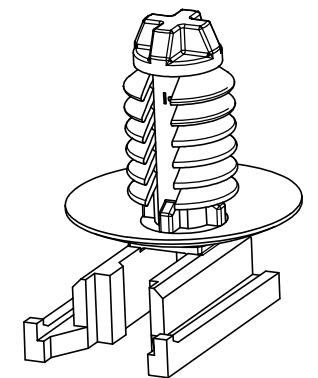
1

THIS DRAWING IS UNPUBLISHED. RELEASED FOR PUBLICATION
© COPYRIGHT BY TYCO ELECTRONICS CORPORATION, ALL RIGHTS RESERVED.

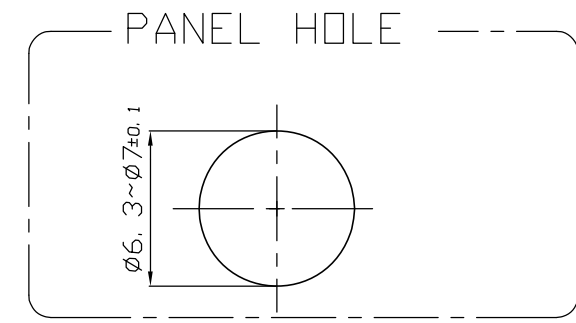
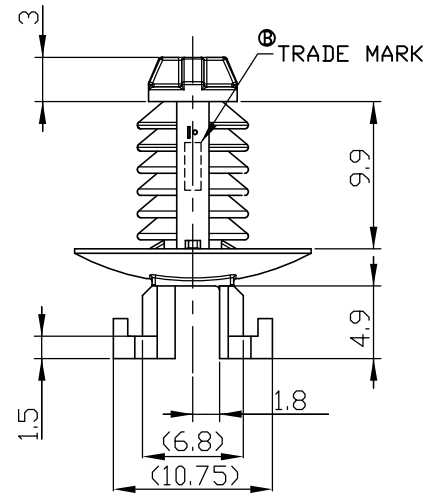
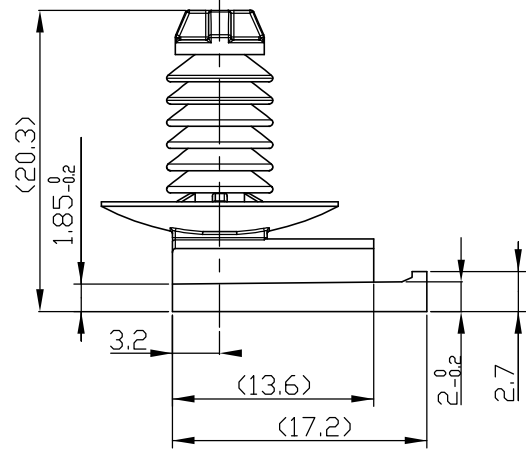
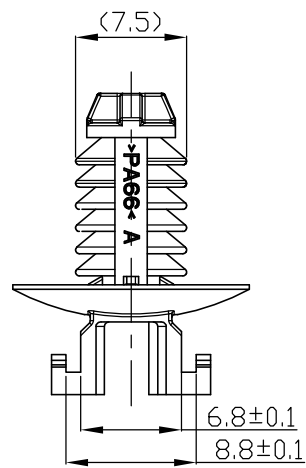
LOC	DIST	REVISIONS					
		P	LTR	DESCRIPTION	DATE	DWN	APVD
DS	-	B		REVISED (ECR-10-024376)	08/DEC/'10	SJ	HG



SECTION A-A



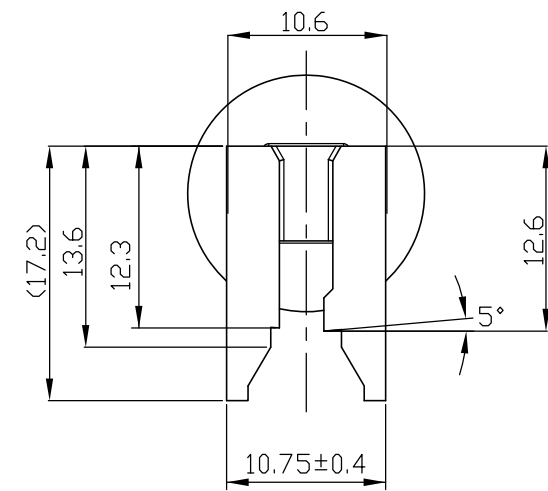
ISO VIEW



PANEL THICKNESS: 0.7~2.5mm

NOTE

1. GENERAL TOLERANCE: ±0.3, ±3°
2. NO WEATHERABILITY TEST IS REQUIRED
3. RECOMMEND HOLE SIZE :φ6.3~φ7.0
4. RECOMMEND PANEL THICKNESS :0.7~2.5t



1743752-2	CLIP HSG	PA 66 (0-1573063-1)	BLACK
P/N	DESCRIPTION	MATERIAL	COLOR

<small>THIS DRAWING IS A CONTROLLED DOCUMENT FOR TYCO ELECTRONICS CORPORATION IT IS SUBJECT TO CHANGE AND THE CONTROLLING ENGINEERING ORGANIZATION SHOULD BE CONTACTED FOR THE LATEST REVISION.</small>		DWN SJ CHOI CHK JW JUNG APVD HG CHO PRODUCT SPEC APPLICATION SPEC WEIGHT CUSTOMER DRAWING
DIMENSIONS: MM	TOLERANCES UNLESS OTHERWISE SPECIFIED:	NAME
	0 PLC ± 1 PLC ± 2 PLC ± 3 PLC ± 4 PLC ± ANGLES ±	TREE CLIP HSG FOR MQS CONNECTOR (φ7 HOLE & 6.3mm HEXAGON HOLE)
	MATERIAL SEE TABLE	FINISH
		SIZE CAGE CODE DRAWING NO RESTRICTED TO A3 00779 C-1743752 -
		SCALE 2/1 SHEET 1 OF 1 REV B

