

THIS DRAWING IS UNPUBLISHED. RELEASED FOR PUBLICATION
 © COPYRIGHT BY TYCO ELECTRONICS CORPORATION. ALL RIGHTS RESERVED.

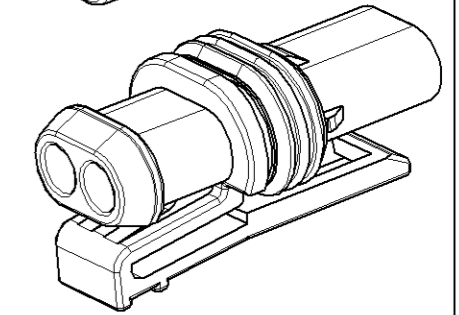
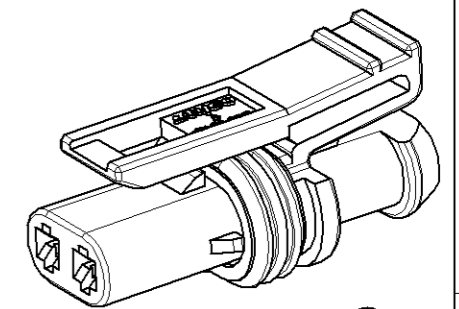
LOC	DIST	REVISIONS			
P	LTR	DESCRIPTION	DATE	DWN	APVD
DS		RELEASED	03.SEP.'07	CH	JK

<TABLE 2>

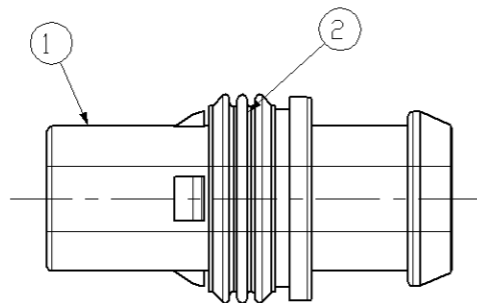
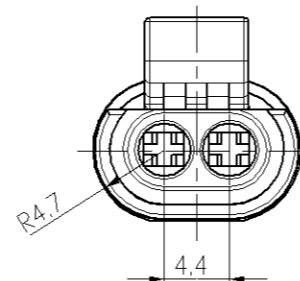
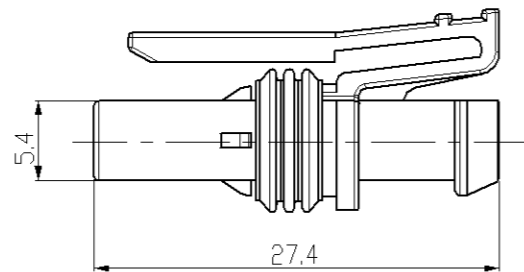
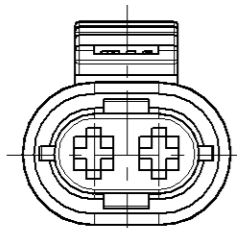
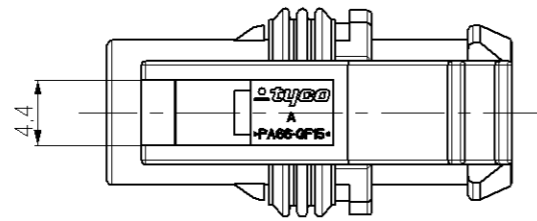
TYPE	WIRE SIZE(mm ²)	PART NO.	WIRE INSULATION DIAMETER(mm)	COLOR
MTII	0.35~0.5	964971-1	1.2~1.6	RED
	0.5~0.75	963530-1	1.4~1.9	GRAY
	1.0	964972-1	1.9~2.1	YELLOW
		963531-1	CAVITY PLUG	WHITE

<TABLE 1>

TYPE	PART NO.	WIRE SIZE(mm)	Insulation DIA(mm)	Applicable WIRE	FINISH
MTII	0-962875-1	0.2~0.5	1.2~1.6	AVSSXF 0.5 Max	CuSn4
	0-962875-3				CuSn4(GOLD)
	0-962876-1	0.5~1.0	1.4~2.1	AVSSXF 0.85 Max	CuSn4
	0-962876-3				CuSn4(GOLD)



3D VIEW



NOTE

- 1. GENERAL TOLERANCE:±0.3, ±3°
- 2. APPLICABLE RECEPTACLE CONTACT P/N:<TABLE 1>
- 3. APPLICABLE WIRE SEAL P/N:<TABLE 2>

ASSY P/N
1743695-2

NO	FINISH/COLOR	MATERIAL	DESCRIPTION	Q'TY
②	RED ORANGE	SILICONE	MTII SEALED 2P INNER SEAL	1
①	BLACK	PA66-GF15	MTII SEALED 2P PLUG HSG	1

THIS DRAWING IS A CONTROLLED DOCUMENT FOR TYCO ELECTRONICS CORPORATION IT IS SUBJECT TO CHANGE AND THE CONTROLLING ENGINEERING ORGANIZATION SHOULD BE CONTACTED FOR THE LATEST REVISION.		DWN CH PARK	 AMP KOREA kyungson, koreo	
DIMENSIONS: MM		CHK YM CHOI		
 3rd ANGLE PROJECTION		APVD JK SDNG	MTII SEALED 2P ASS'Y FOR HOOD SWITCH	
TOLERANCES UNLESS OTHERWISE SPECIFIED:		PRODUCT SPEC	SIZE	CAGE CODE
0 PLC ±		APPLICATION SPEC	A3	00779
1 PLC ±		WEIGHT	DRAWING NO	RESTRICTED TO
2 PLC ±		1743695		
3 PLC ±		CUSTOMER DRAWING		
4 PLC ±		SCALE 2:1		
ANGLES ±		SHEET 1 OF 1		
MATERIAL SEE TABLE		REV A		