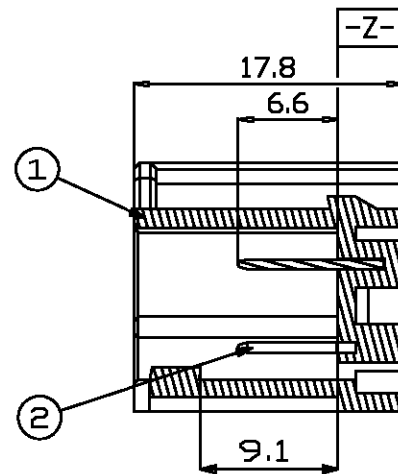
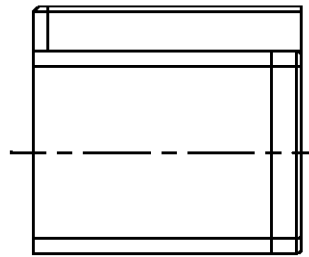
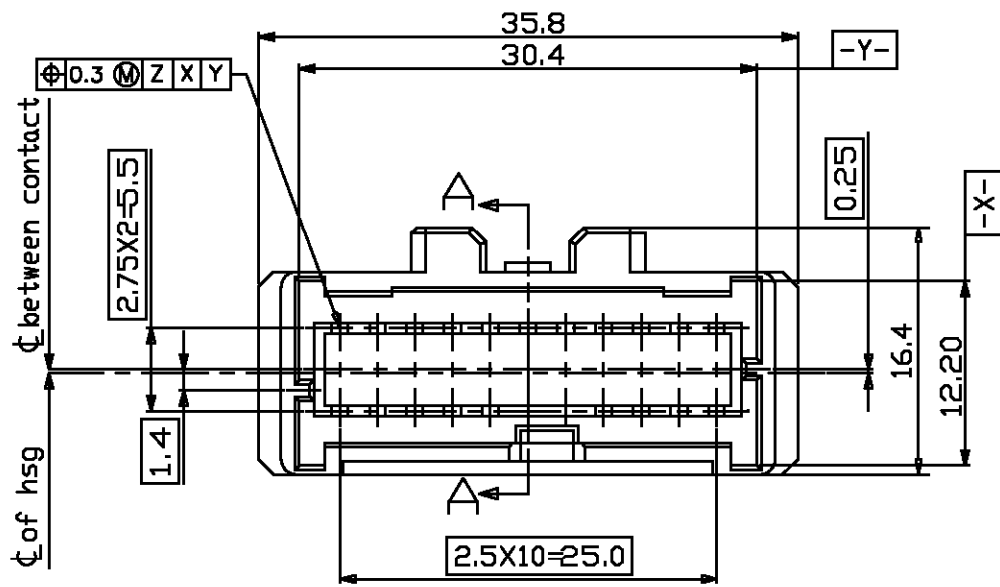
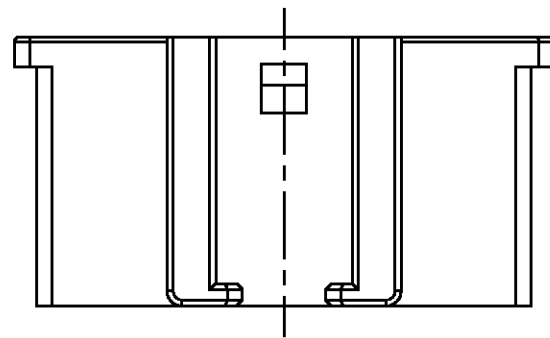


TAB ASS'Y LAYOUT(Scale 1/1)

TYPE				
	<u>1743690-1</u> (5-6,5-4) -NATURAL	<u>1743690-2</u> (3-4-4,5-4)-BLACK	<u>1743690-5</u> (11,5-4)-YELLOW	<u>1743690-8</u> (11,9)-BLUE



SECTION A-A

NOTES.

1. THE MATING PLUG P/N : 936473-X
2. APPLIED CLIP: 090 CLIP TYPE
3. TAB CONTACT RETENSION FORCE: Min 6.0 kgf

NO	DESCRIPTION	MATERIAL	COLOR	Q'TY	ASSY NO	DESCRIPTION
2	TAB (9P)	BRASS		1	0-1743690-8	CAP ASSY FOR 040III 20P JOINTER
2	TAB (11P)	BRASS		1	0-1743690-5	CAP ASSY FOR 040III 20P JOINTER
2	TAB (6P)	BRASS			0-1743690-2	CAP ASSY FOR 040III 20P JOINTER
2	TAB (5P)	BRASS		1	0-1743690-1	CAP ASSY FOR 040III 20P JOINTER
2	TAB (4P)	BRASS		1		
2	TAB (3P)	BRASS				
1	CAP HSG FOR 040III 20P JOINTER	PBT (TRIBIT 1503)	BLUE	1		
1	CAP HSG FOR 040III 20P JOINTER	PBT (TRIBIT 1503)	YELLOW	1		
1	CAP HSG FOR 040III 20P JOINTER	PBT (TRIBIT 1503)	BLACK		1	
1	CAP HSG FOR 040III 20P JOINTER	PBT (TRIBIT 1503)	NATURAL			1

<small>THIS DRAWING IS A CONTROLLED DOCUMENT FOR TYCO ELECTRONICS CORPORATION. IT IS SUBJECT TO CHANGE AND THE CONTROLLING ENGINEERING ORGANIZATION SHOULD BE CONTACTED FOR THE LATEST REVISION.</small>	
DIMENSIONS: Minm	TOLERANCES UNLESS OTHERWISE SPECIFIED:
	0 PLC ± 0.3 1 PLC 2 PLC 3 PLC 4 PLC ANGLES ± 3°
MATERIAL SEE TABLE	FINISH

DWN SB LEE		AMP KOREA, kyungsan, korea	
CHK KT LIM		NAME	
APVD JK SONG	PRODUCT SPEC -	CAP ASS'Y FOR 040III 20P JOINTER CONN'R(PITCH 2.5)	
APPLICATION SPEC -	SIZE A3	CAGE CODE 00779	DRAWING NO C=1743690
WEIGHT -	CUSTOMER DRAWING		RESTRICTED TO -
SCALE 2/1		SHEET 1 OF 1	REV A