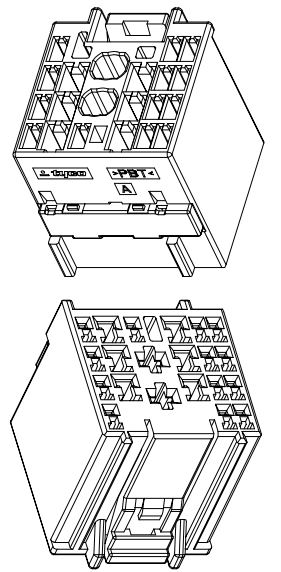
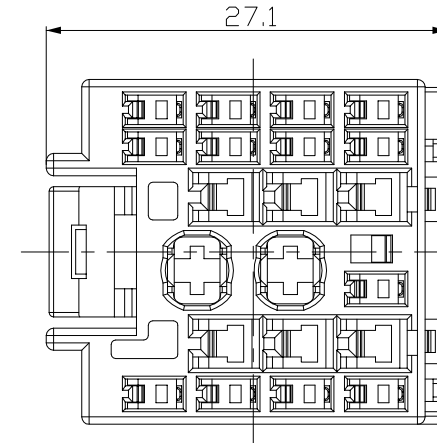
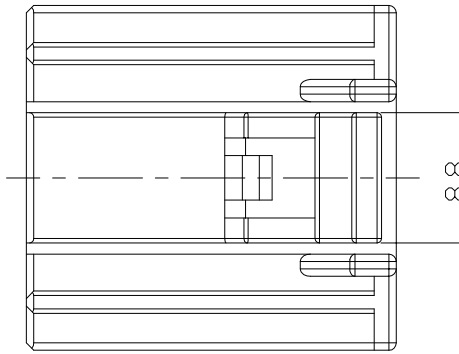
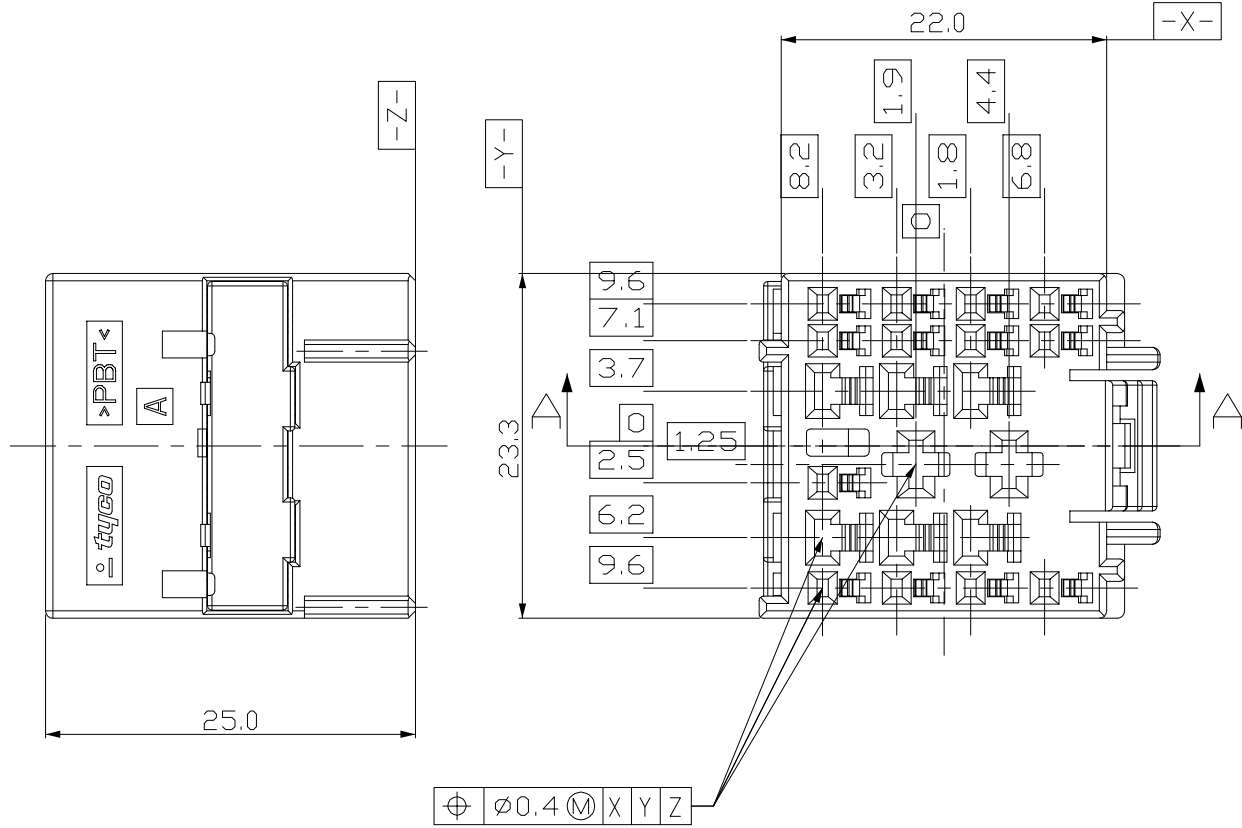


THIS DRAWING IS UNPUBLISHED. RELEASED FOR PUBLICATION
 © COPYRIGHT BY TYCO ELECTRONICS CORPORATION, ALL RIGHTS RESERVED.

REVISIONS

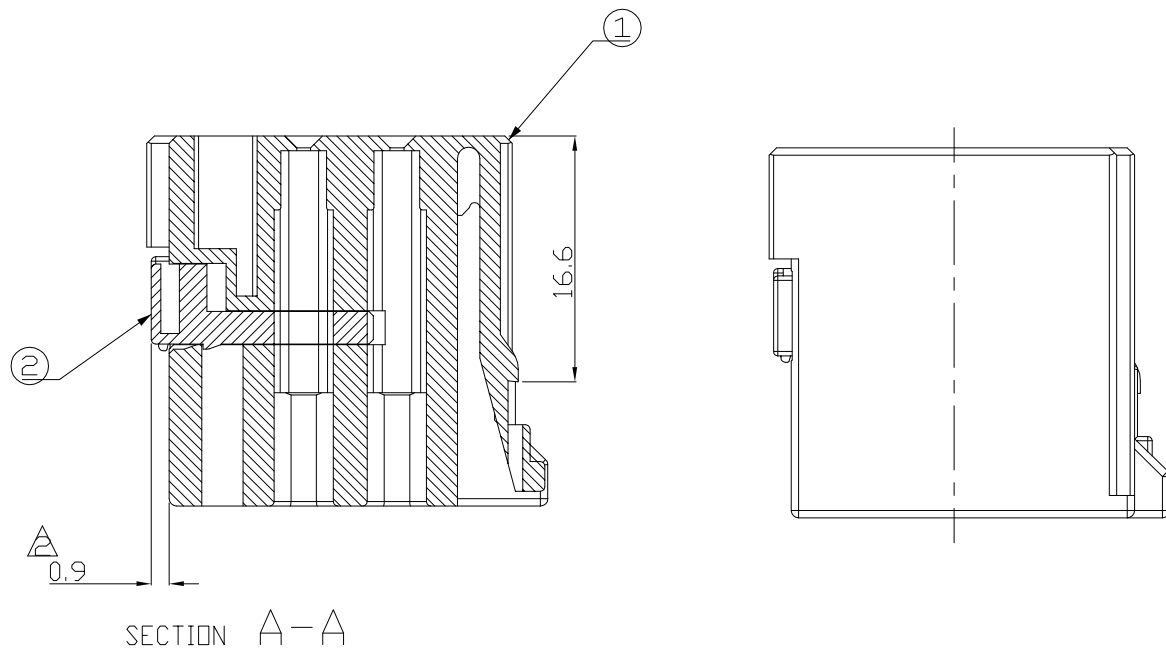
P	LTR	DESCRIPTION	DATE	DWN	APVD
	A1	RELEASED (ECR-16-006296)	29.APR.'16	JM	JW



3D VIEW
SCALE 1:1

- NOTE
 1. GENERAL TOLERANCE ± 0.3 , $\pm 3^\circ$
 2. CONDITION OF DELIVERY : DBL IN 1ST LOCKING POSITION
 3. APPLIED REC. CONTACT P/N : TABLE 2
 4. APPLICABLE CAP PART NO. : 0-1743677-1

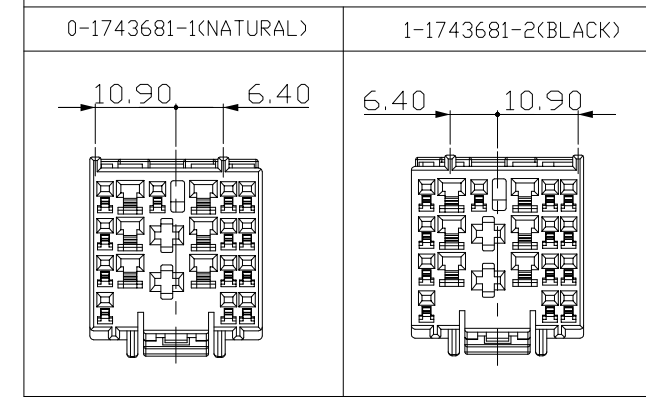
$\oplus \varnothing 0.4 \text{ (M)} \text{ X Y Z}$



(TABLE 2.)

	PART NO.	WIRE SIZE (mm)
.040	0-316836-1	0.3 ~ 0.85
	0-368085-1	0.3 ~ 0.5
	1-368085-1	
.090	0-368084-1	0.85 ~ 1.25
	1-368084-1	
	0-368083-1	2.0
	1-368083-1	
MCP	1-968880-1	0.2 ~ 0.5
	1-968849-1	0.5 ~ 1.0
	1-968851-1	1.0 ~ 2.5
	1-968853-1	2.5 ~ 4.0

SHAPE OF CONVERSION TYPE (TABLE 1.)



① 1-1743680-2
 0-1743680-1
 ASSY P/N

NO.	P/N	DESCRIPTION	MATERIAL	COLOR	Q'TY
②	0-1743682-8	DBL HSG	PBT	BLUE	1 1
①	1-1743681-2	PLUG HSG	PBT	BLACK	1 -
①	0-1743681-1	PLUG HSG	PBT	NATURAL	- 1

THIS DRAWING IS A CONTROLLED DOCUMENT FOR TYCO ELECTRONICS CORPORATION
 IT IS SUBJECT TO CHANGE AND THE CONTROLLING ENGINEERING ORGANIZATION
 SHOULD BE CONTACTED FOR THE LATEST REVISION.

DIMENSIONS: MM	TOLERANCES UNLESS OTHERWISE SPECIFIED:	DWN JM JEON
	0 PLC \pm	CHK -
	1 PLC \pm	APVD JW JUNG
	2 PLC \pm	PRODUCT SPEC -
	3 PLC \pm	APPLICATION SPEC -
	4 PLC \pm	WEIGHT -
MATERIAL SEE TABLE	FINISH -	CUSTOMER DRAWING
	ANGLES \pm	SCALE 2/1

TE TE Connectivity

NAME
040/090/MCP HYB 42P PLUG ASSY
for DOOR TO BODY

SIZE CAGE CODE DRAWING NO RESTRICTED TO
 A3 00779 C-1743680 -

SHEET 1 OF 1 REV A1