

REVISIONS				
P	LTR	DESCRIPTION	DATE	APVD
A2		REVISED (ECR-16-013399)	21SEP2016	SJ JW

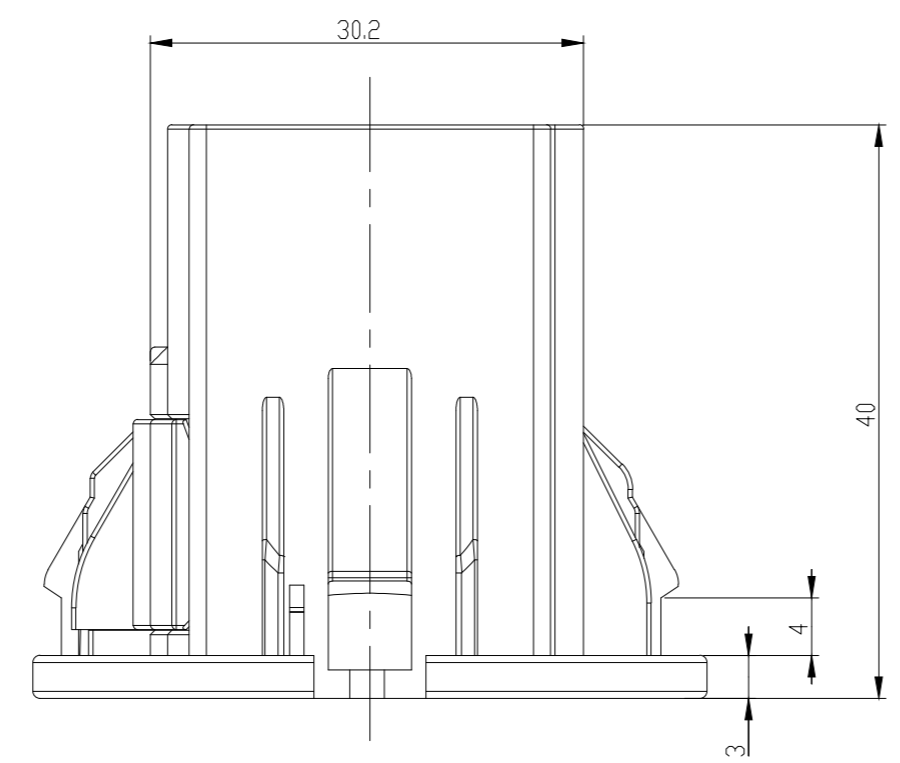
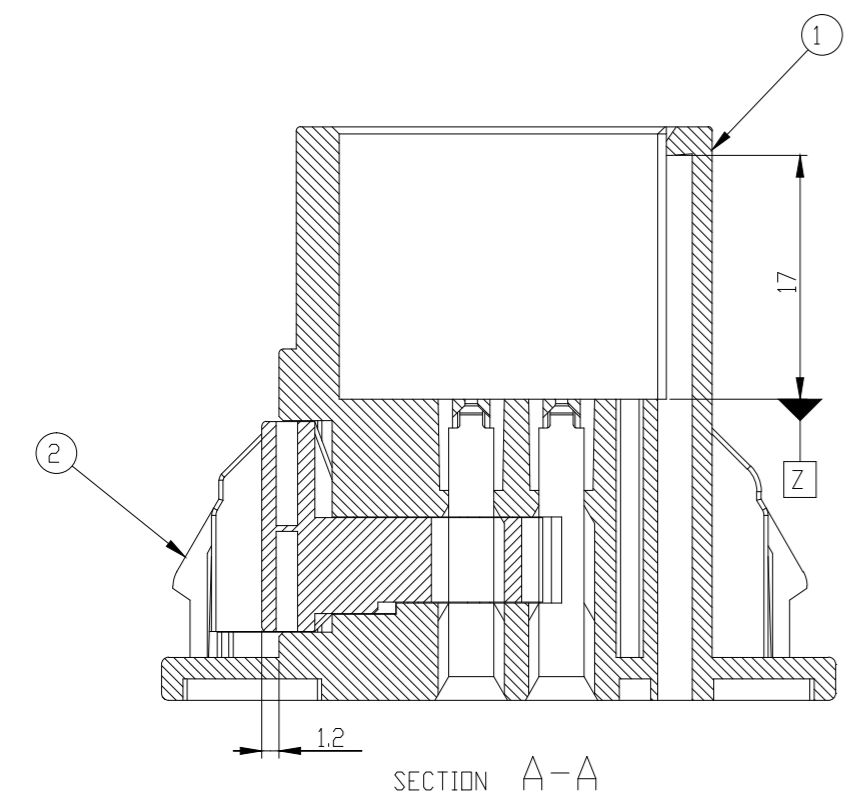
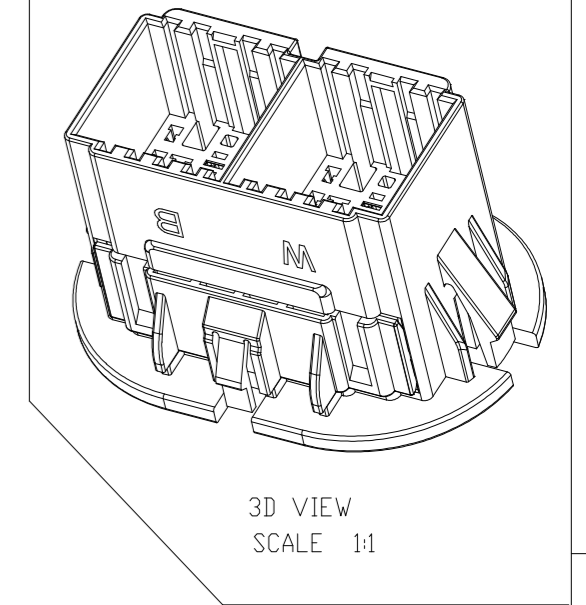
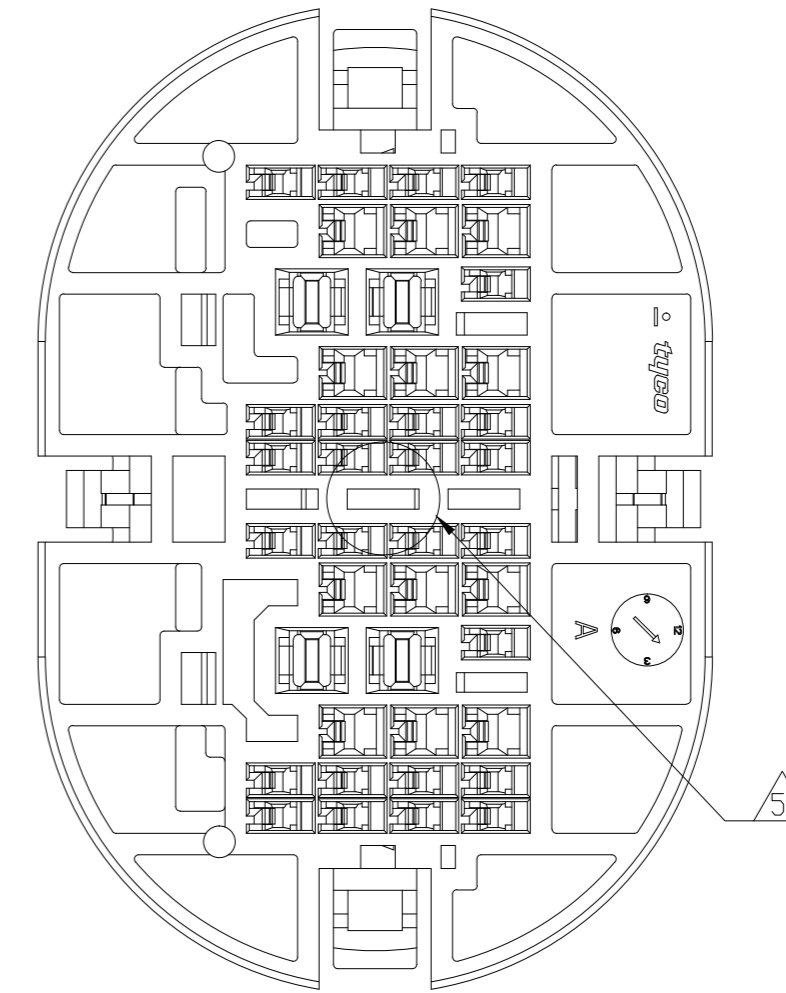
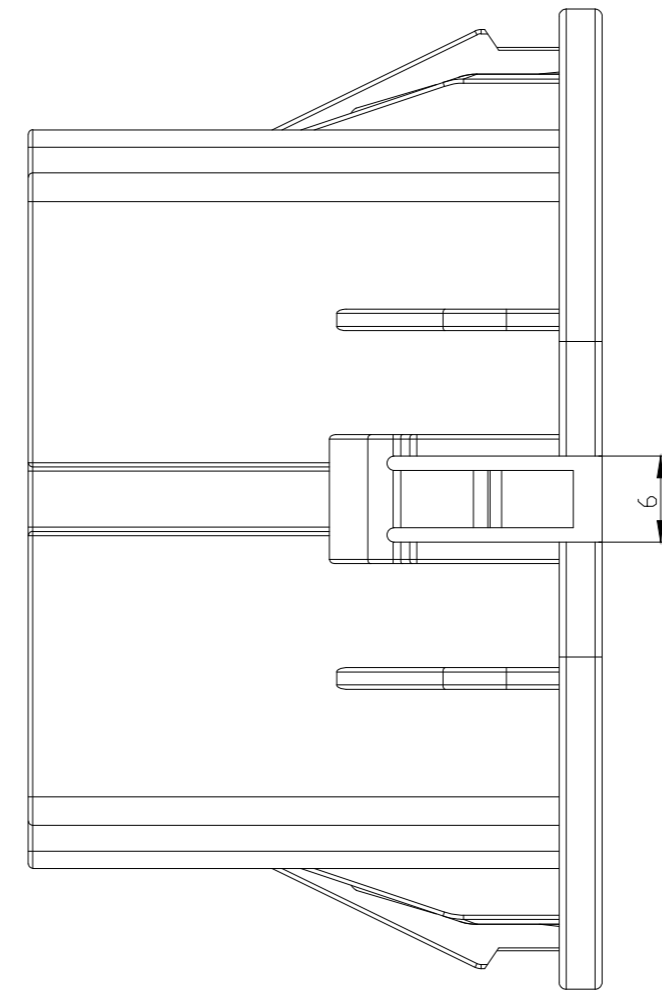
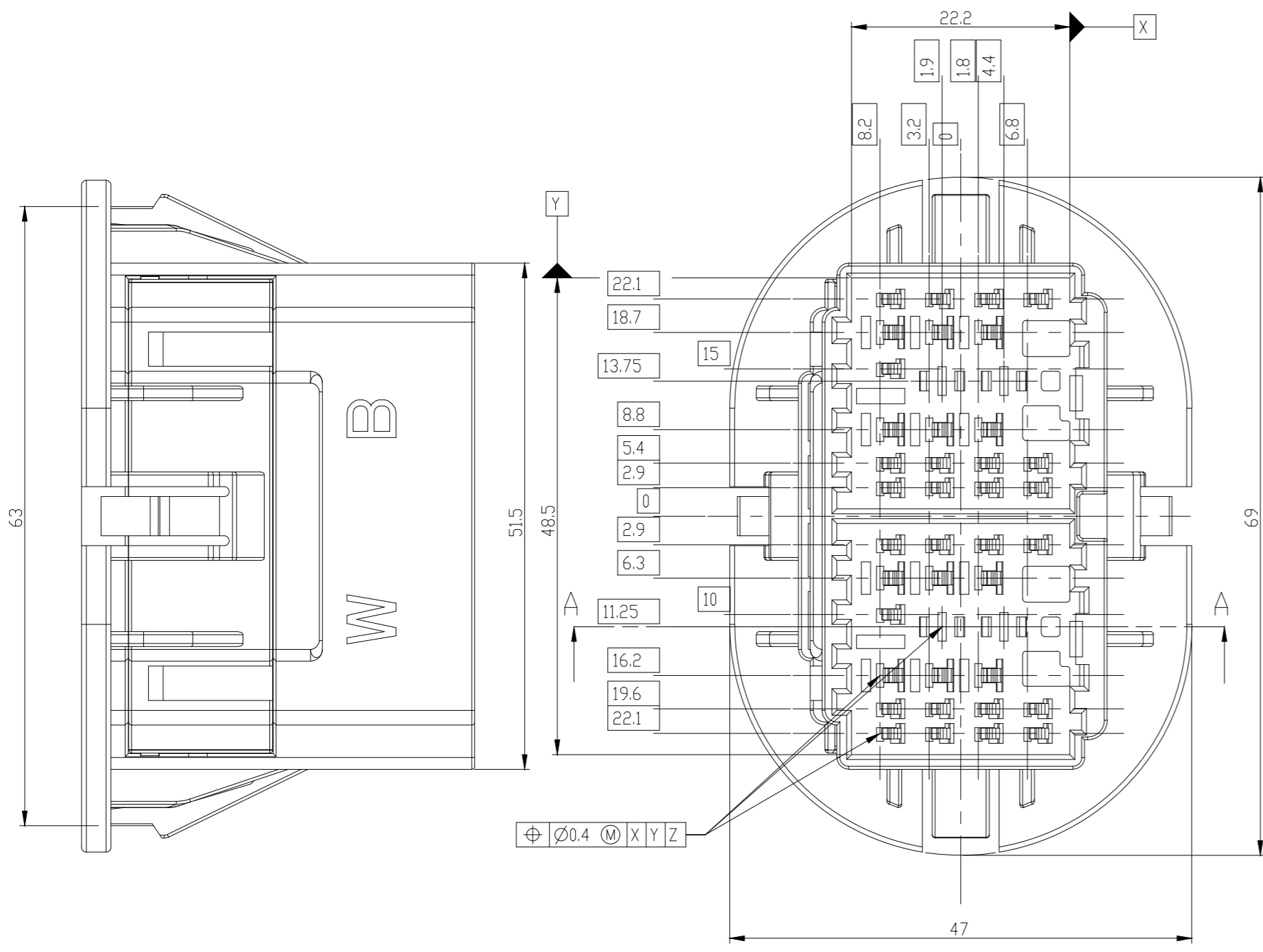
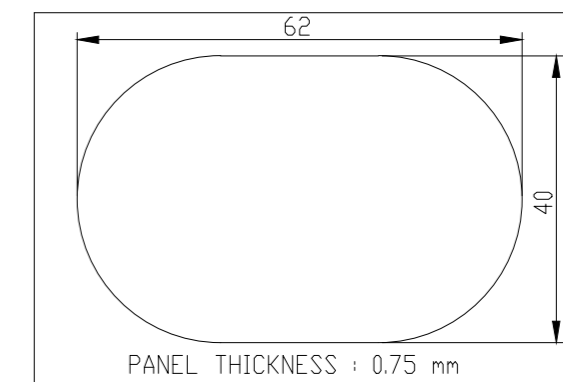


TABLE 1.

	PART NO.	WIRE SIZE (mm)
.040	0-353537-1	0.3 ~ 0.85
	0-368088-1	0.3 ~ 0.5
	1-368088-1	
.090	0-368087-1	0.85 ~ 1.25
	1-368087-1	2.0
	0-368086-1	
	1-368086-1	
MCP	2-964292-1	0.2 ~ 0.5
	2-964294-1	0.5 ~ 1.0
	2-964296-1	1.0 ~ 2.5

NOTE
 1. GENERAL TOLERANCE ±0.3, ±3°
 2. CONDITION OF DELIVERY : DBL IN 1ST LOCKING POSITION
 3. APPLIED TAB CONTACT P/N : TABLE1
 4. APPLICABLE CAP PART NO. :0-1743680-1
 5. PANEL LAYOUT :



NO.	COLOR	MATERIAL	DESCRIPTION	QTY
2	NATURAL	PBT	DBL HSG	1
1	NATURAL	PBT	CAP HSG	1

0-1743677-1
ASSY P/N

THIS DRAWING IS A CONTROLLED DOCUMENT.

DWN: SJ CHOI
 CHK: SJ CHOI
 APVD: JW JUNG
 PRODUCT SPEC

TE Connectivity

NAME: 040/090/MCP HYB 42P CAP ASSY FOR DOOR TO BODY

SIZE: A2 CAGE CODE: 00779 DRAWING NO: C=1743677 RESTRICTED TO: A2

CUSTOMER DRAWING SCALE: 1:1 SHEET: 1 OF 1 REV: A2