

4

3

2

1

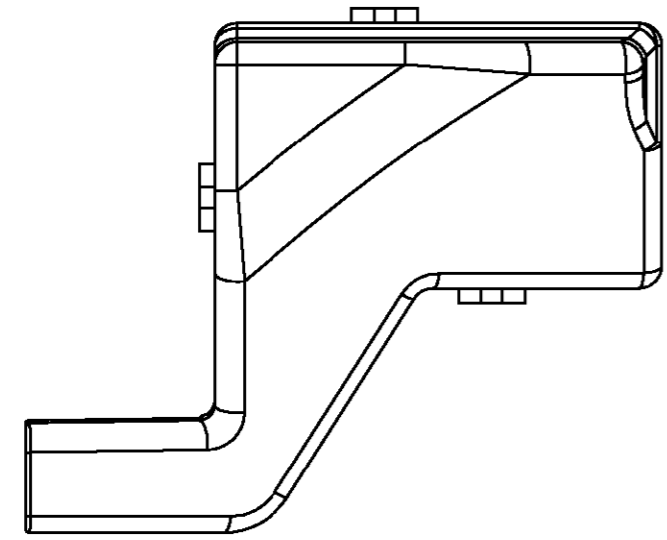
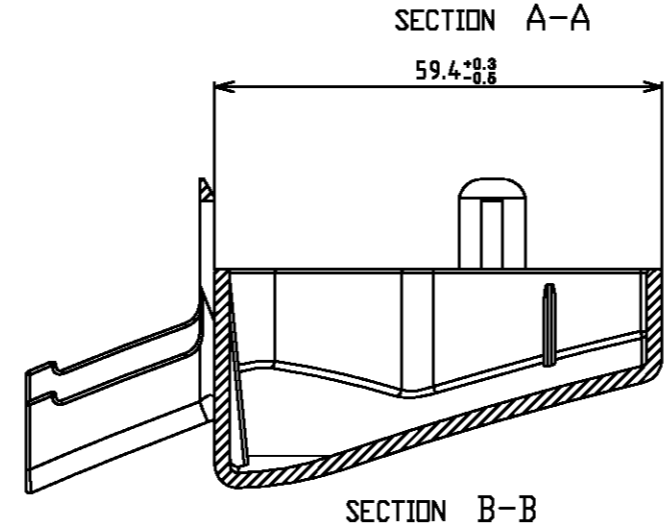
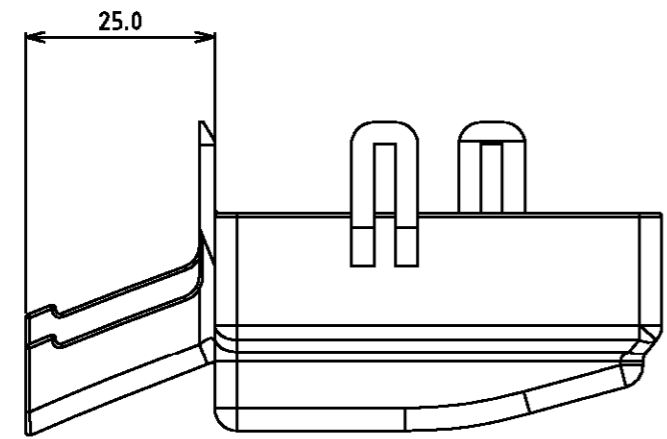
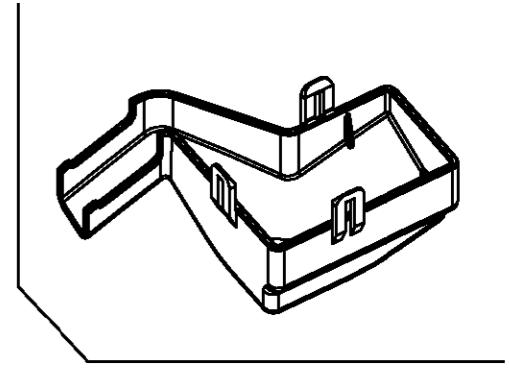
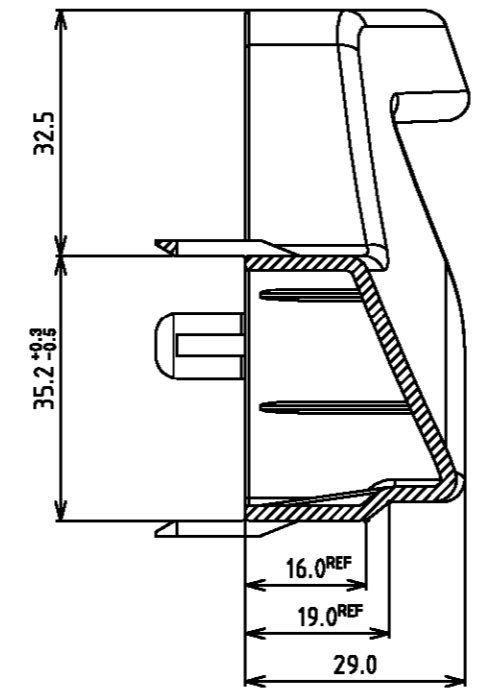
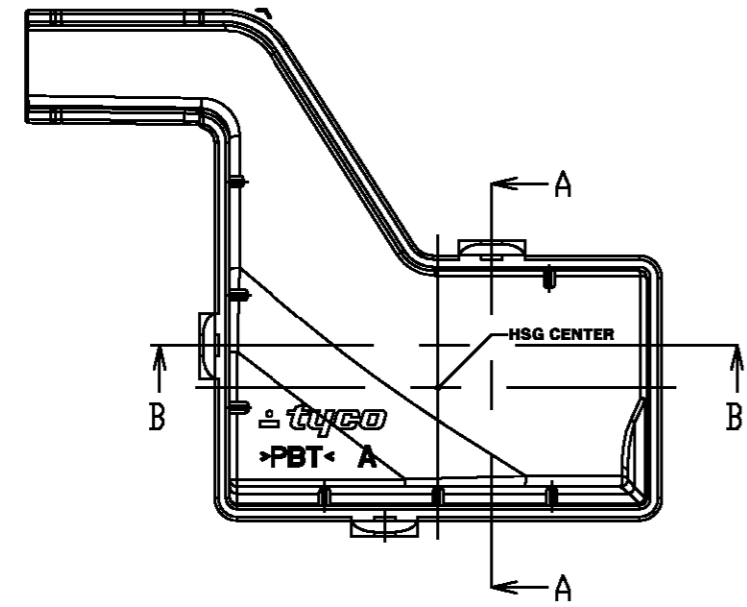
THIS DRAWING IS UNPUBLISHED. RELEASED FOR PUBLICATION

© COPYRIGHT BY TYCO ELECTRONICS CORPORATION. ALL RIGHTS RESERVED.

LOC DS DIST

REVISIONS

| P | LTR | DESCRIPTION | DATE | DWN | APVD |
|---|-----|------------------------|-----------|-----|------|
| | A | RELEASED | 06/JAN/06 | YH | JK |
| | B | REVISED(ECR-06-027625) | 01/DEC/06 | CM | JK |



- NOTE.
1. GENERAL TOLERANCE IS ± 0.3 , $\pm 3^\circ$
 2. MATING PLUG ASS'Y P/N : 0-1743552-2
 3. APPLICATION TEST SPEC:MS210-06-C (EXCEPT 4.4)

| P/N | MATERIAL | COLOR |
|-----------|----------|-------|
| 1743555-9 | PP | BLACK |
| 1743555-2 | PBT | BLACK |

| | | | | | | | |
|--|--|---|--|---|--|-------------------------------|--|
| <small>THIS DRAWING IS A CONTROLLED DOCUMENT FOR TYCO ELECTRONICS CORPORATION. IT IS SUBJECT TO CHANGE AND THE CONTROLLING ENGINEERING ORGANIZATION SHOULD BE CONTACTED FOR THE LATEST REVISION.</small> | | DWN :CM PARK CHK :YJ YOUN APVD :JK SONG PRODUCT SPEC APPLICATION SPEC WEIGHT | | | | AMP KOREA. kyungsan, korea | |
| DIMENSIONS: mm TOLERANCES UNLESS OTHERWISE SPECIFIED: SEE NOTE 3rd ANGLE PROJECTION | | MATERIAL: SEE TABLE FINISH: - | | NAME: 28P CONNECTOR COVER FOR HD U/H BOX SIZE: A3 CAGE CODE: 00779 DRAWING NO: 1743555 | | RESTRICTED TO: | |
| CUSTOMER DRAWING | | | | SCALE: 1/1 | | SHEET: 1 OF 1 | |
| | | | | | | REV: B | |