

4

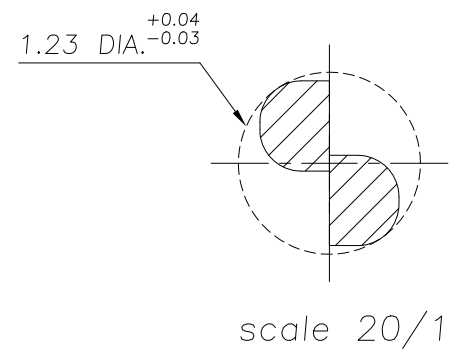
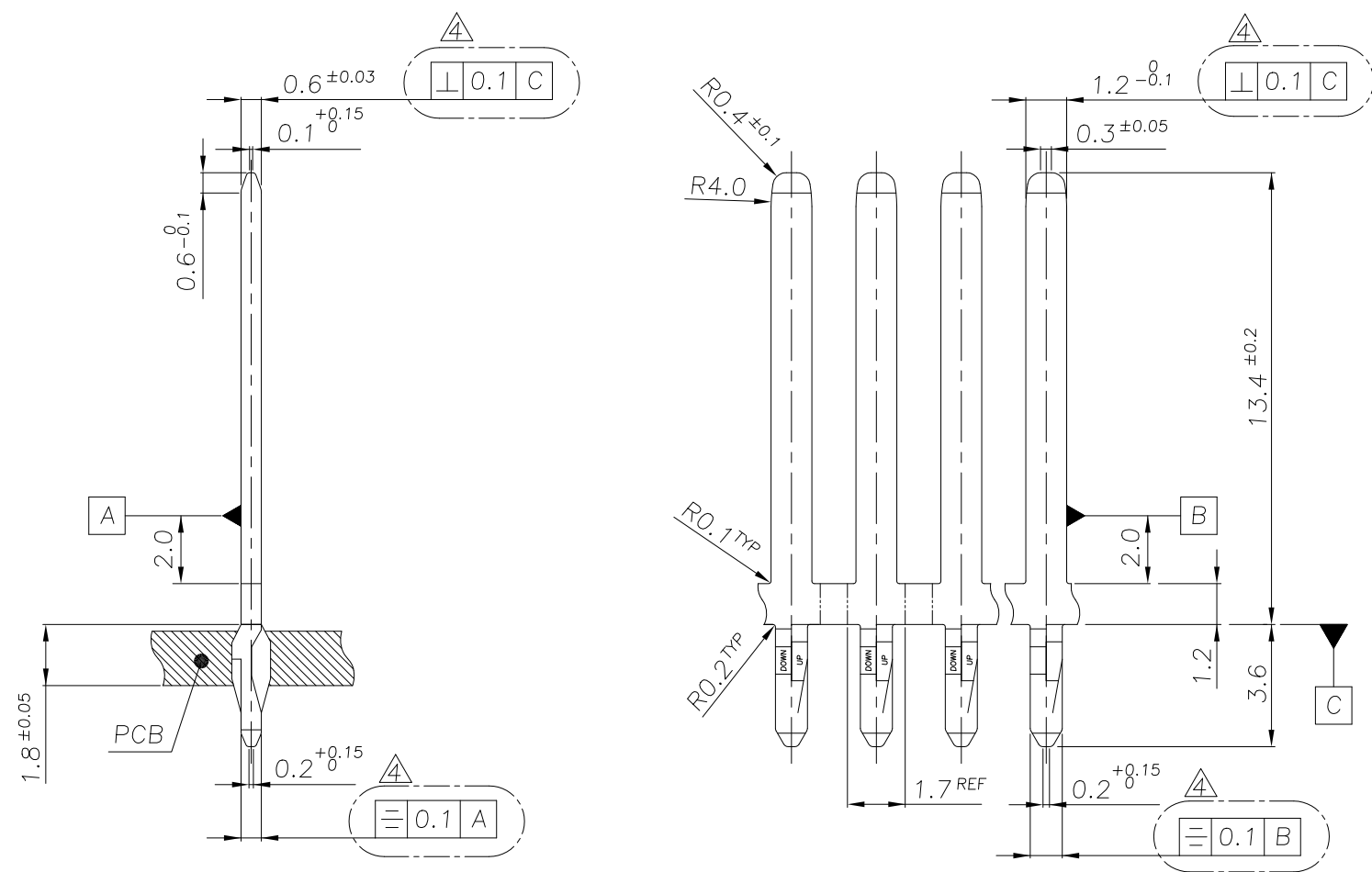
3

2

1

THIS DRAWING IS UNPUBLISHED. RELEASED FOR PUBLICATION
COPYRIGHT BY TYCO ELECTRONICS CORPORATION, ALL RIGHTS RESERVED.

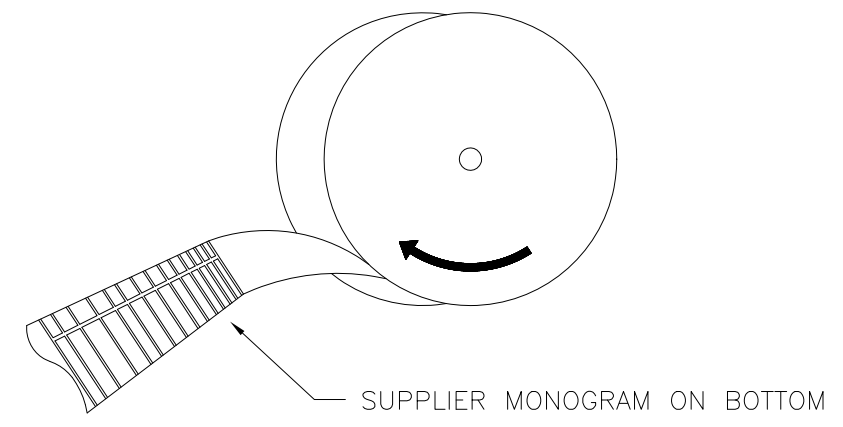
LOC	DIST	REVISIONS					
		P	LTR	DESCRIPTION	DATE	DWN	APVD
DS			A	RELEASED	23.FEB'06	YH	JK
			B	REVISED(ECR-06-011306)	06.JUL'06	YH	JK
			B1	REVISED(ECR-06-024676)	19.OCT'06	BS	JK
			B2	REVISED(ECR-06-025592)	31.OCT'06	BS	JK
			B3	REVISED(ECR-07-001707)	23.JAN'07	BS	JK



Customer Drawing for Approval

Description; ACTION-PIN 1.2x0.6
 Customer part No; F005 VI 3825
 TE division part No; 1743447 -2
 Approved by;
 Date;

- * NOTES;
- ③ △ PHOSPHOR BRONZE- CuSn4(H03) HARD [HARDNESS 155-180 HV].
 - △ 100% TIN PLATING 1.0~4.0um Bright OVER, NICKEL PLATING 1.25~2.0um Matte.
 - 3 PCB HOLE SIZE;
 DRILLED HOLE ϕ ; 1.15 \pm 0.025
 FINISHED HOLE ϕ ; 0.94 ~1.09
 Cu- THICKNESS; 0.025 ~0.075
 SnPb- THICKNESS; 0.004 ~0.010
 - △ ○ MEASURING POINT FOR PPK



600mm PLASTIC REEL/30M	△	△	1- 1743447 -2
585mm PAPER REEL/30M	△	△	1743447 -2
	FINISH	MATERIAL	PART NUMBER
<small>THIS DRAWING IS A CONTROLLED DOCUMENT FOR TYCO ELECTRONICS CORPORATION IT IS SUBJECT TO CHANGE AND THE CONTROLLING ENGINEERING ORGANIZATION SHOULD BE CONTACTED FOR THE LATEST REVISION.</small>		Tyco Electronics AMP KOREA, kyungsan, korea	
DIMENSIONS: MM	TOLERANCES UNLESS OTHERWISE SPECIFIED:	NAME	
	0 <XX<10 ± 0.2 10<XX<30 ± 0.25 30<XX<100 ± 0.3 ANGLES ± 3°	TAB 1.2 x 0.6 WITH ACTION PIN	
	MATERIAL	FINISH	RESTRICTED TO
SEE NOTES	SEE NOTES	SIZE A3 CAGE CODE 00779 DRAWING NO C- 1 7 4 3 4 4 7	WEIGHT CUSTOMER DRAWING SCALE 5/1 SHEET 1 OF 1 REV B3