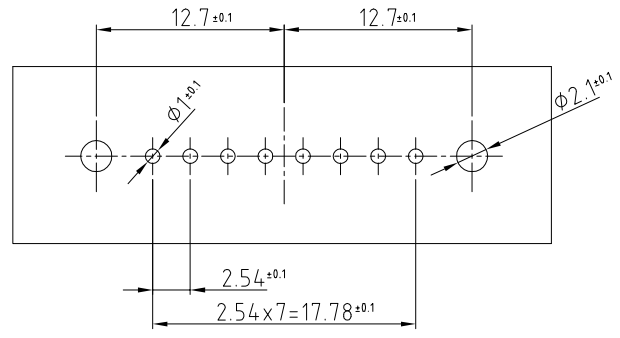
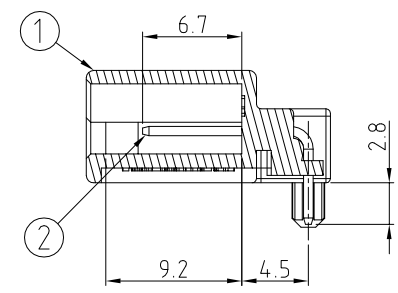
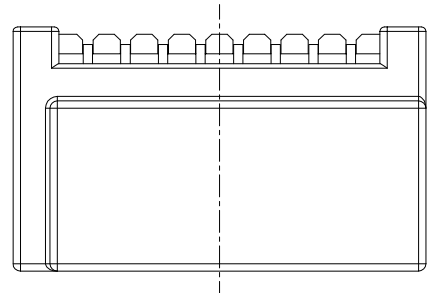
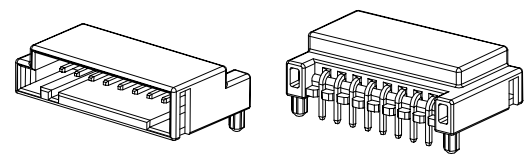
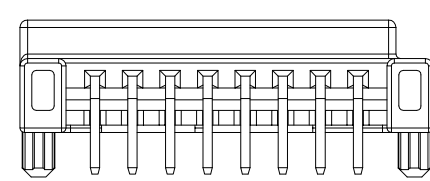
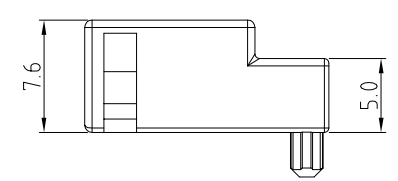
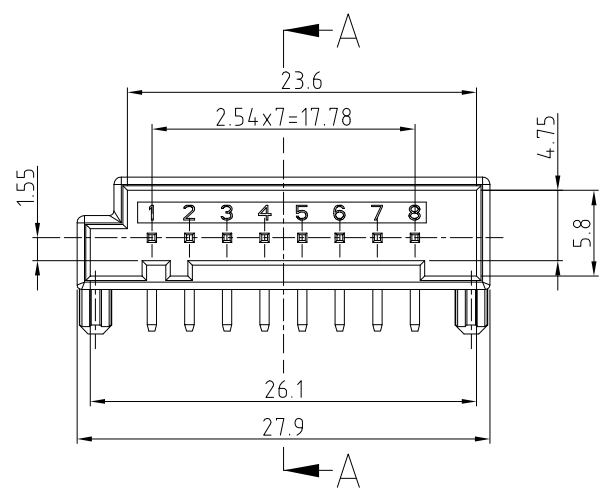


THIS DRAWING IS UNPUBLISHED. RELEASED FOR PUBLICATION
 © COPYRIGHT BY TYCO ELECTRONICS CORPORATION, ALL RIGHTS RESERVED.

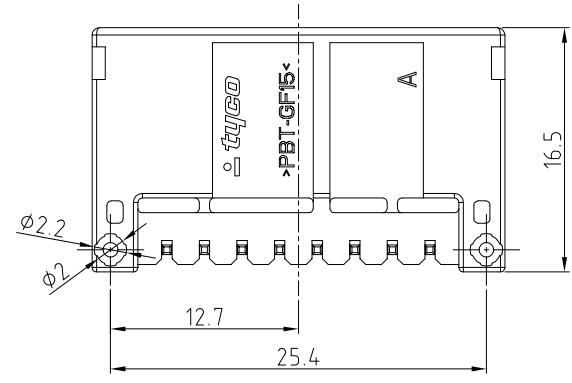
REVISIONS					
P	LTR	DESCRIPTION	DATE	DWN	APVD
	A	RELEASED	01/JUN/'05	SB	CS
	B	REVIIESE (ECR-05-005668)	22/DEC/'05	SB	JK
	B1	REVISED (ECR-15-006375)	05.NOV.'14	JM	HG
	B2	REVISED (ECR-16-004470)	17.FEB.'16	EW	KT



KEY CODINGS (TABLE 1.)	
TYPE A	TYPE B



3D VIEW
SCALE 1/1



NOTES.
1. APPLIED MATING CONNECTOR P/N ; X-1743282-X

NO.	DESCRIPTION	CODE	MATERIAL	COLOR/FINISH	Q'TY					
					ASSY P/N	0-1743284-1	2-1743284-2	1-1743284-2	1-1743284-3	1-1743284-6
2	0.63 CONTACT	-	BRASS	SELECTIVE GOLD	-	-	-	-	-	8
	0.63 CONTACT	-	COPPER ALLOY	POST TIN	-	8	-	-	-	-
	0.63 CONTACT	-	COPPER ALLOY	POST TIN	8	-	8	8	8	-
1	HDR HSG	B	PBT-GF15	RED	-	-	-	-	1	-
	HDR HSG	B	PBT-GF15	LIGHT GRAY	-	-	-	1	-	-
	HDR HSG	B	PBT-GF15	BLACK	-	-	1	-	-	-
	HDR HSG	A	PBT-GF15	BLACK	-	1	-	-	-	-
	HDR HSG	A	PBT-GF15	NATURAL	1	-	-	-	-	1

DIMENSIONS: mm	TOLERANCES UNLESS OTHERWISE SPECIFIED:
	DECIMALS : ± 0.3 ANGLES : ± 3°
MATERIAL SEE TABLE	FINISH SEE TABLE

DWN : EW CHUN
CHK : YD. LEE
APVD : KT LIM

TE TE Connectivity

NAME: MQS PIN HEADER ASS'Y, 8 POS

SIZE: A3 CAGE CODE: 00779 DRAWING NO: 1743284 RESTRICTED TO: -

WEIGHT: - CUSTOMER DRAWING SCALE: 2:1 SHEET: 1 OF 1 REV: B2