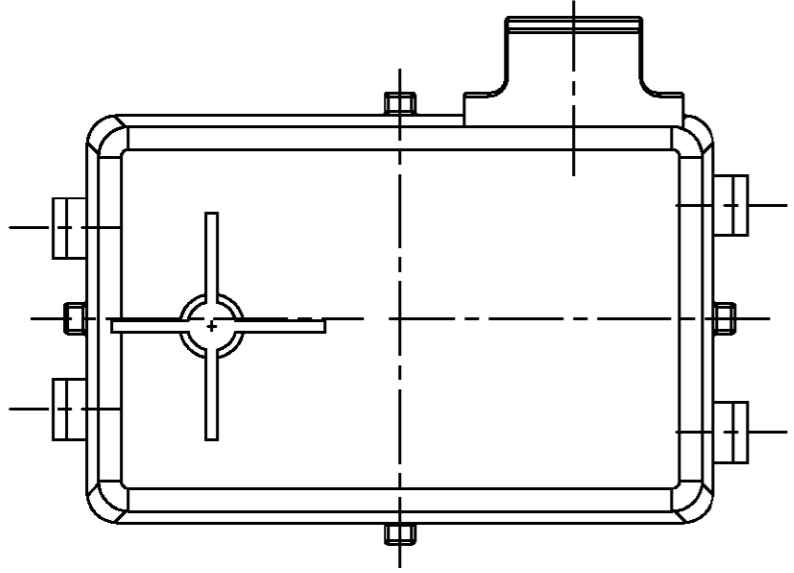
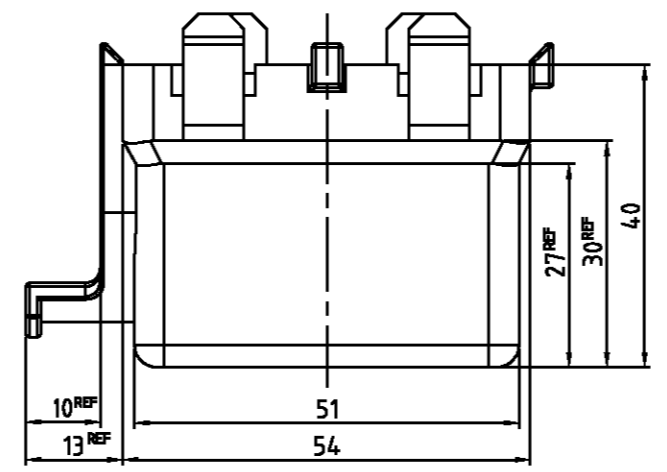
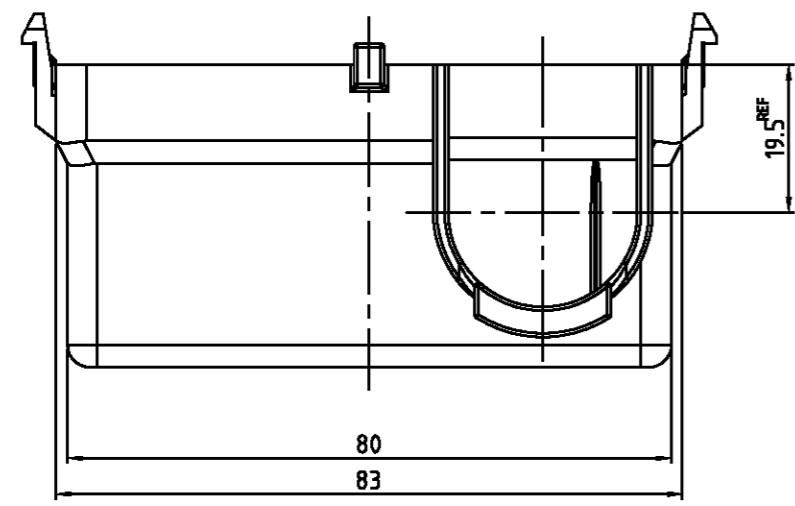
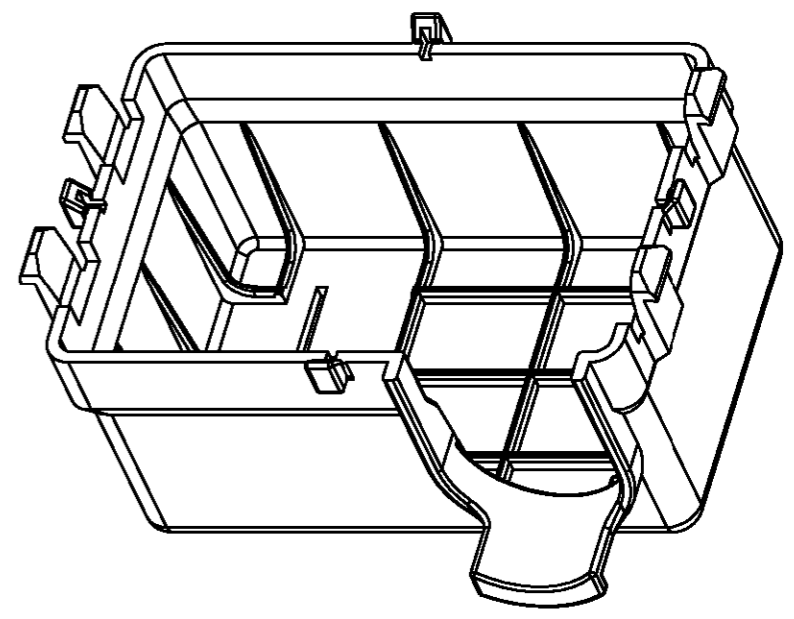
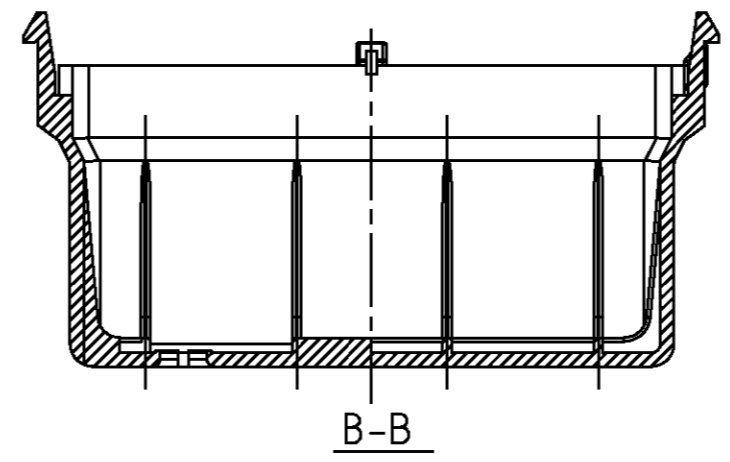
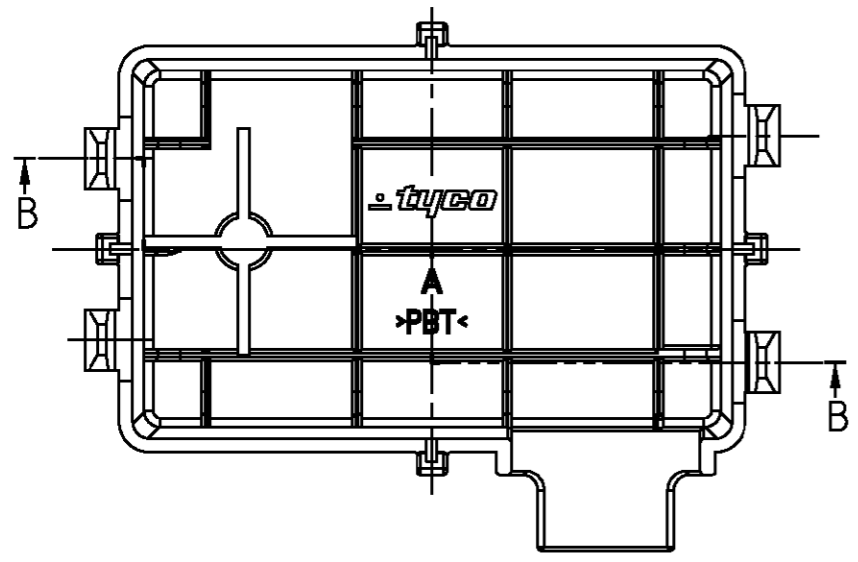


P	LTR	DESCRIPTION	DATE	DWN	APVD
	A	RELEASED	10/NOV/05	YH	JK

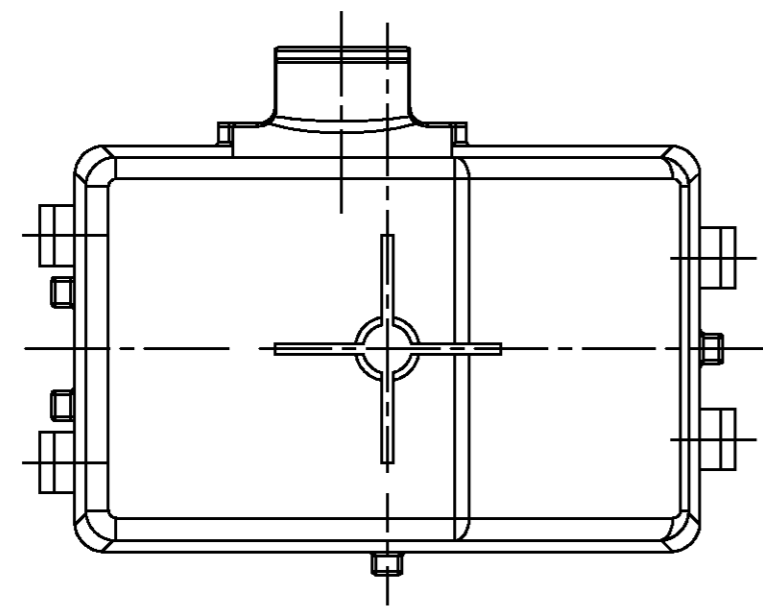
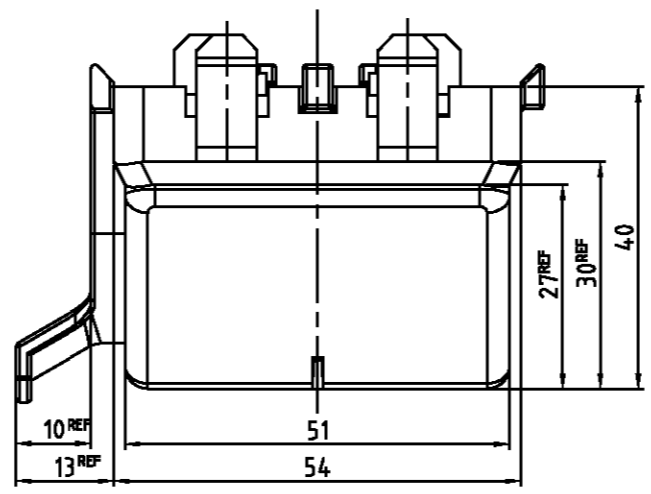
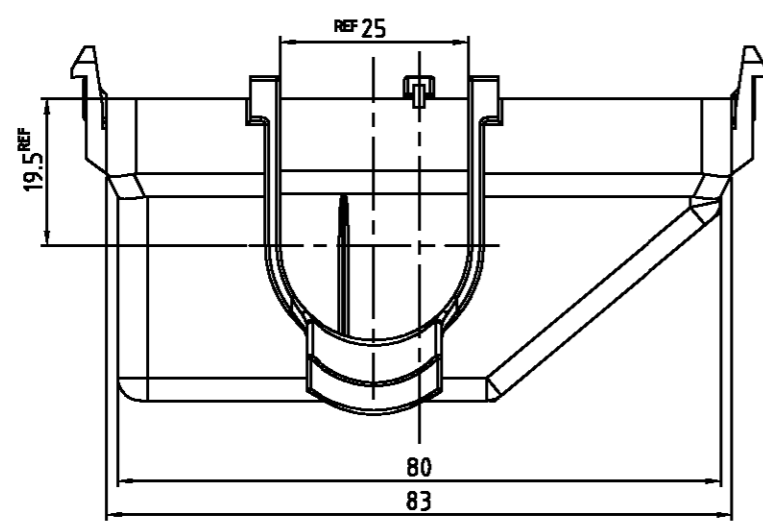
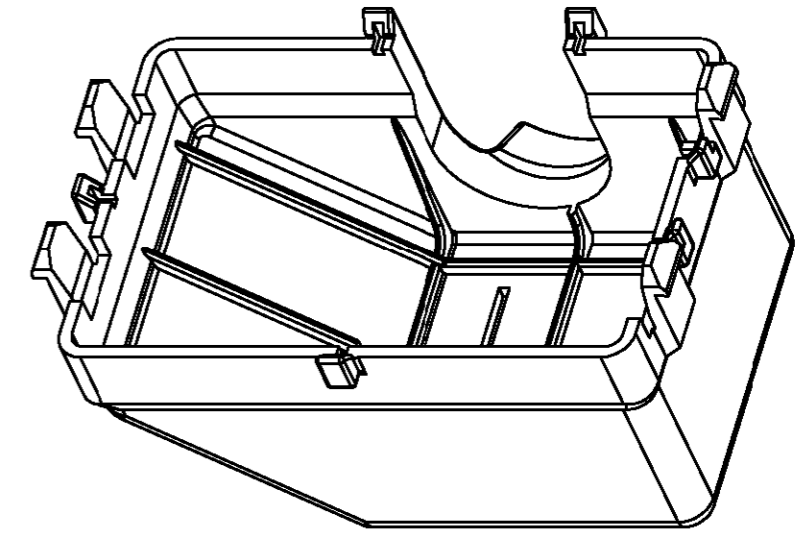
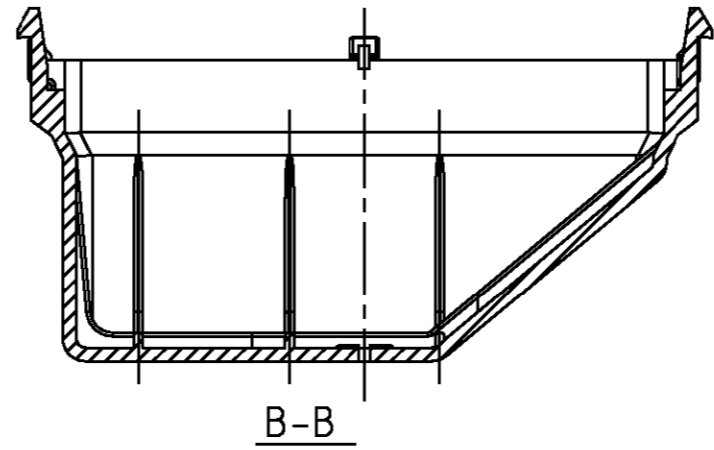
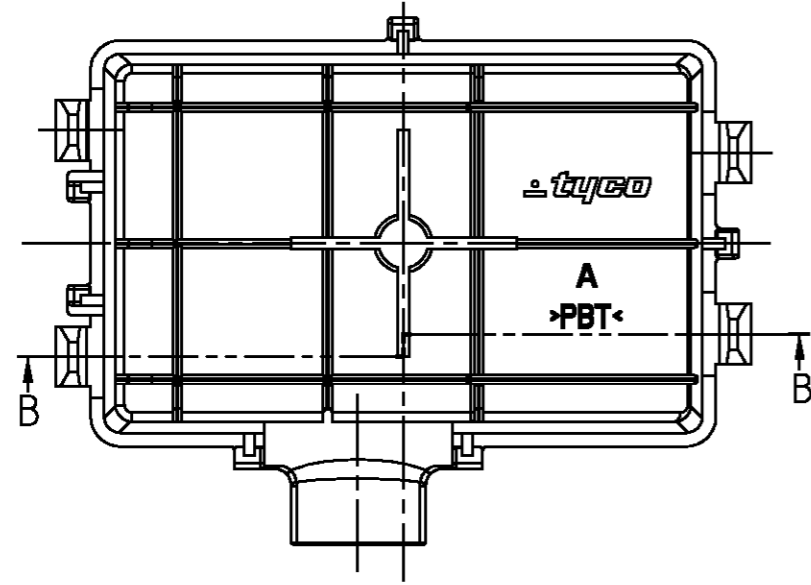


- NOTE.
1. GENERAL TOLERANCE IS ± 0.4 , $\pm 3^\circ$
 2. MATING PLUG ASS'Y P/N : 1743130

P/N	COLOR	MAT'R	REMARK
0-1743133-1	BLACK	PBT	56P

<small>THIS DRAWING IS A CONTROLLED DOCUMENT FOR TYCO ELECTRONICS CORPORATION. IT IS SUBJECT TO CHANGE AND THE CONTROLLING ENGINEERING ORGANIZATION SHOULD BE CONTACTED FOR THE LATEST REVISION.</small>		DWN :YH MA CHK :BM JANG APVD :JK SONG PRODUCT SPEC APPLICATION SPEC WEIGHT				AMP KOREA. kyungsan, korea	
DIMENSIONS: mm		TOLERANCES UNLESS OTHERWISE SPECIFIED: SEE NOTE		NAME 56P WIRE COVER HSG (FOR C100)			
3rd ANGLE PROJECTION		MATERIAL		FINISH		SIZE CAGE CODE DRAWING NO A3 00779 C= 1743133	
CUSTOMER DRAWING						RESTRICTED TO	
				SCALE 1/1		SHEET 1 OF 2	
						REV A	

P	LTR	DESCRIPTION	DATE	DWN	APVD
	A	RELEASED	10/NOV/05	YH	JK



- NOTE.
 1. GENERAL TOLERANCE IS $\pm 0.4, \pm 3^\circ$
 2. MATING PLUG ASS'Y P/N : 1743130

P/N	COLOR	MAT'R	REMARK
0-1743133-2	GRAY	PBT	56P

THIS DRAWING IS A CONTROLLED DOCUMENT FOR TYCO ELECTRONICS CORPORATION
 IT IS SUBJECT TO CHANGE AND THE CONTROLLING ENGINEERING ORGANIZATION
 SHOULD BE CONTACTED FOR THE LATEST REVISION.

DIMENSIONS: mm	TOLERANCES UNLESS OTHERWISE SPECIFIED: SEE NOTE	DWN :YH MA		AMP KOREA. kyungsan, korea
3rd ANGLE PROJECTION	FINISH	CHK :BM JANG		
MATERIAL		APVD :JK SONG	NAME	
		PRODUCT SPEC	56P WIRE COVER HSG (FOR C100)	
		APPLICATION SPEC	SIZE	CAGE CODE
		WEIGHT	A3	00779
		CUSTOMER DRAWING	DRAWING NO C= 1743133	
			RESTRICTED TO	
			SCALE 1/1	SHEET 2 OF 2
				REV A