

4

3

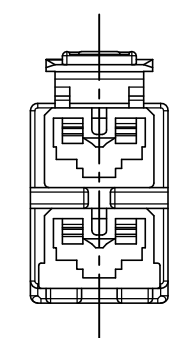
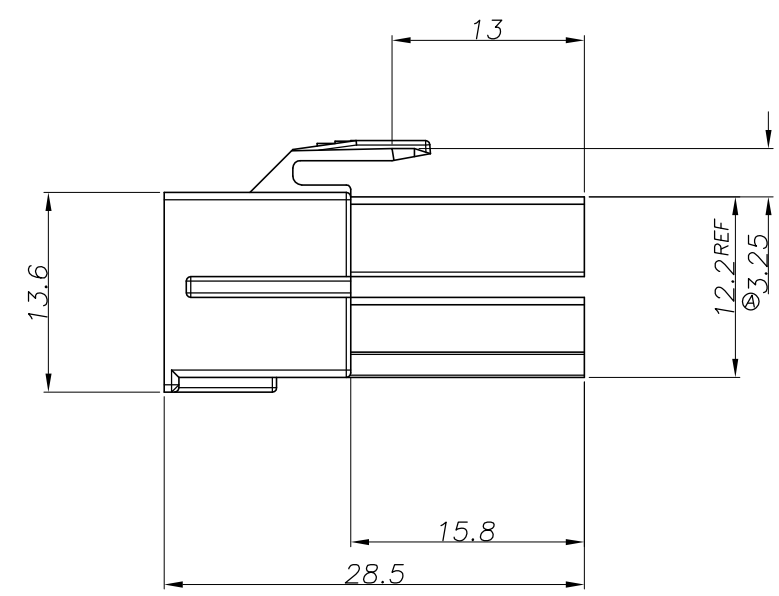
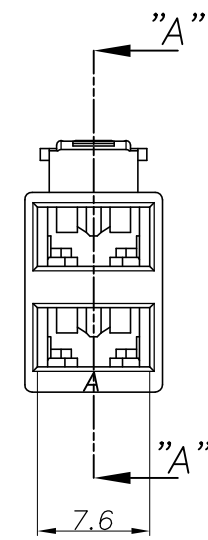
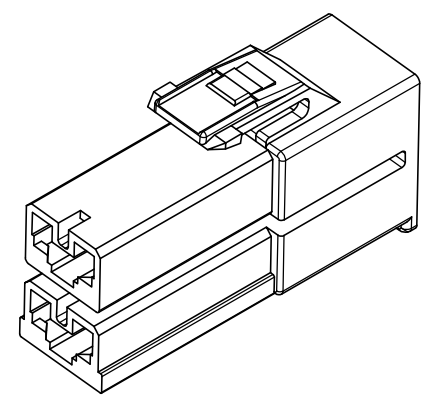
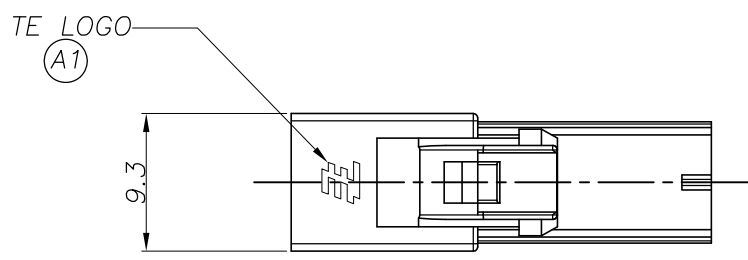
2

1

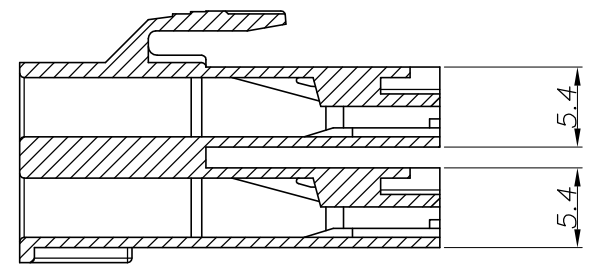
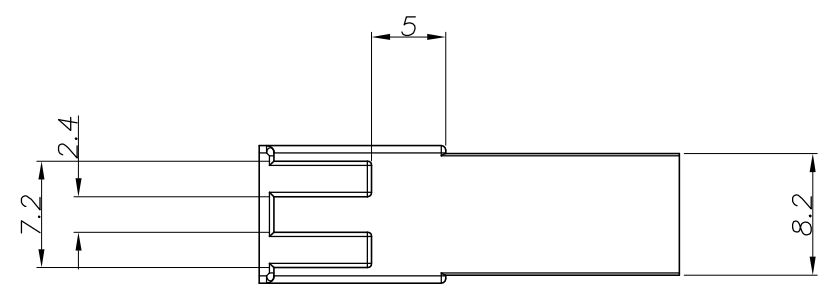
THIS DRAWING IS UNPUBLISHED. RELEASED FOR PUBLICATION

© COPYRIGHT BY TYCO ELECTRONICS CORPORATION. ALL RIGHTS RESERVED.

LOC	DIST	REVISIONS					
		P	LTR	DESCRIPTION	DATE	DWN	APVD
DS	-		0	RELEASED (FC00-0068-04)	12.APR.'04	BH	JK
			A	REVISED (ECR-09-018267)	25AUG.'09	BH	JK
			A1	REVISED (ECR-10-014037)	15SEP.'10	BH	JK



- NOTES
- 1.GENERAL TOLERANCES : ± 0.25 , $\pm 3^\circ$
 - 2.MATERIAL : 6/6 NYLON
 - 3.MATING TAB HOUSING : X-1743103-X
 - 4.APPLICABLE CONTACT P/N : 170324~170326-X



SECTION "A-A"

1-1743102-1	6/6 NYLON,V-0	NATURAL
1743102-1	6/6 NYLON,V-2	NATURAL
P/N	MATERIAL	COLOR

THIS DRAWING IS A CONTROLLED DOCUMENT FOR TYCO ELECTRONICS CORPORATION IT IS SUBJECT TO CHANGE AND THE CONTROLLING ENGINEERING ORGANIZATION SHOULD BE CONTACTED FOR THE LATEST REVISION.		DWN BH CHO	AMP KOREA. Kyungsan, Korea													
DIMENSIONS: MM		CHK BW KANG														
TOLERANCES UNLESS OTHERWISE SPECIFIED:		APVD JK SONG	NAME 187 POSITIVE LOCK 2P REC HSG													
<table border="1"> <tr><td>0 PLC</td><td>#</td></tr> <tr><td>1 PLC</td><td>##</td></tr> <tr><td>2 PLC</td><td>###</td></tr> <tr><td>3 PLC</td><td>####</td></tr> <tr><td>4 PLC</td><td>#####</td></tr> <tr><td>ANGLES</td><td>#</td></tr> </table>		0 PLC	#	1 PLC	##	2 PLC	###	3 PLC	####	4 PLC	#####	ANGLES	#	PRODUCT SPEC -	SIZE A3	
0 PLC	#															
1 PLC	##															
2 PLC	###															
3 PLC	####															
4 PLC	#####															
ANGLES	#															
MATERIAL SEE TABLE		FINISH -	APPLICATION SPEC -	CAGE CODE 00779												
		WEIGHT -	DRAWING NO 1743102	RESTRICTED TO -												
		CUSTOMER DRAWING		SCALE 2/1 SHEET 1 OF 1 REV A1												