

THIS DRAWING IS UNPUBLISHED.

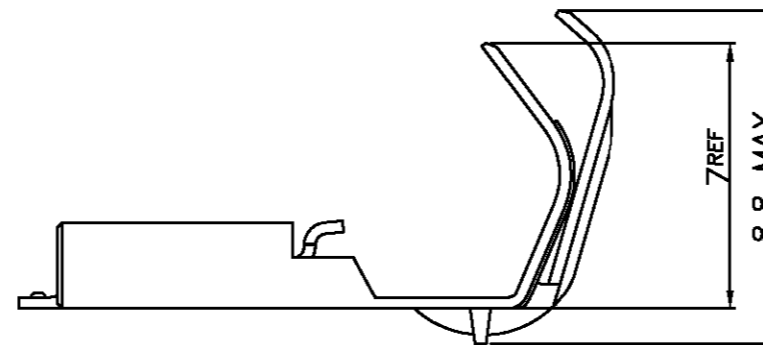
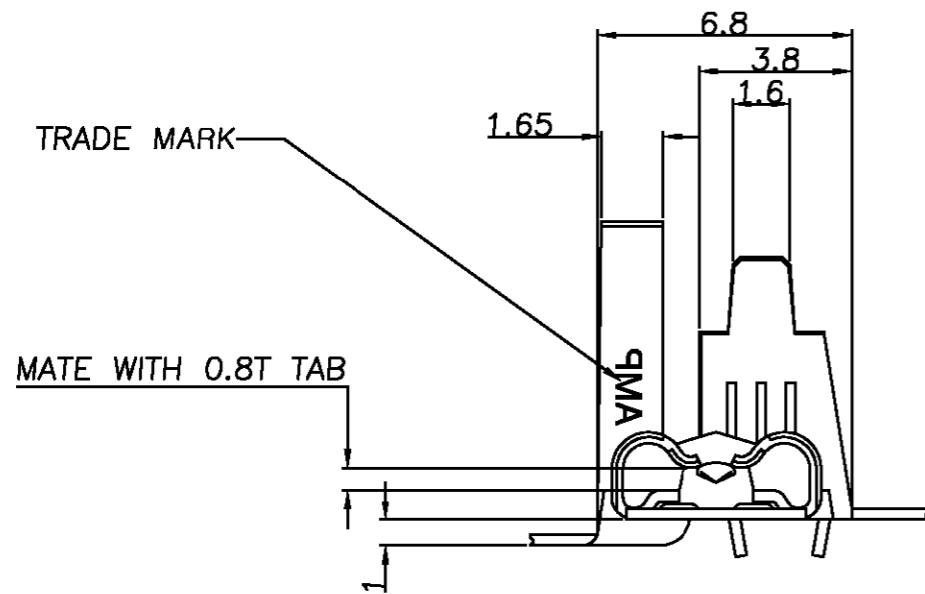
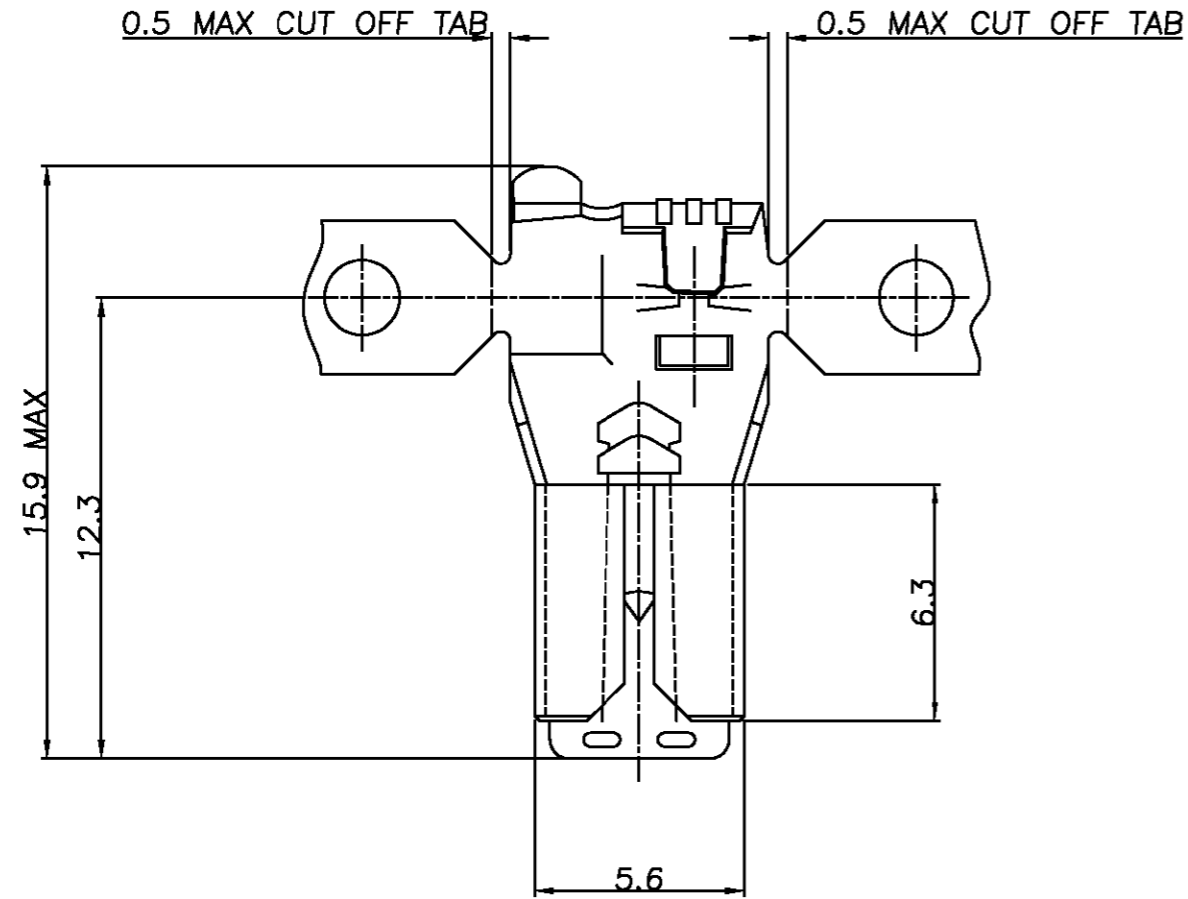
RELEASED FOR PUBLICATION

© COPYRIGHT BY TYCO ELECTRONICS CORPORATION. ALL RIGHTS RESERVED.

LOC DS DIST

REVISIONS

P	LTR	DESCRIPTION	DATE	DWN	APVD
0		RELEASED(FC00-0069-04)	13/APR/'04	BH	CS



PRE-TIN BRASS	1743058-1
MATERIAL	PART NUMBER
WIRE RANGE AWG#22~#16	INSULATION DIA
0.3~1.42mm <sup>2</sup>	ø1.7~4.32mm

<small>THIS DRAWING IS A CONTROLLED DOCUMENT FOR TYCO ELECTRONICS CORPORATION. IT IS SUBJECT TO CHANGE AND THE CONTROLLING ENGINEERING ORGANIZATION SHOULD BE CONTACTED FOR THE LATEST REVISION.</small>		DWN: BH CHD				AMP KOREA.	
DIMENSIONS: MM		CHK: BW KANG				kyungsan, korea	
TOLERANCES UNLESS OTHERWISE SPECIFIED:		APVD: CS LEE		NAME			
0 <XX<10 ± 0.2		PRODUCT SPEC		187 SERIES FLAG POSITIVE LOCK			
10 <XX<30 ± 0.25		APPLICATION SPEC		EX RECEPTACLE FOR 0.8T TAB			
30 <XX ± 0.3		WEIGHT		SIZE	CAGE CODE	DRAWING NO	RESTRICTED TO
ANGLES ± 3°		MATERIAL		A3	00779	1743058	
3rd ANGLE PROJECTION		FINISH		SCALE 1/1		SHEET 1 OF 1	REV 0
SEE TABLE							