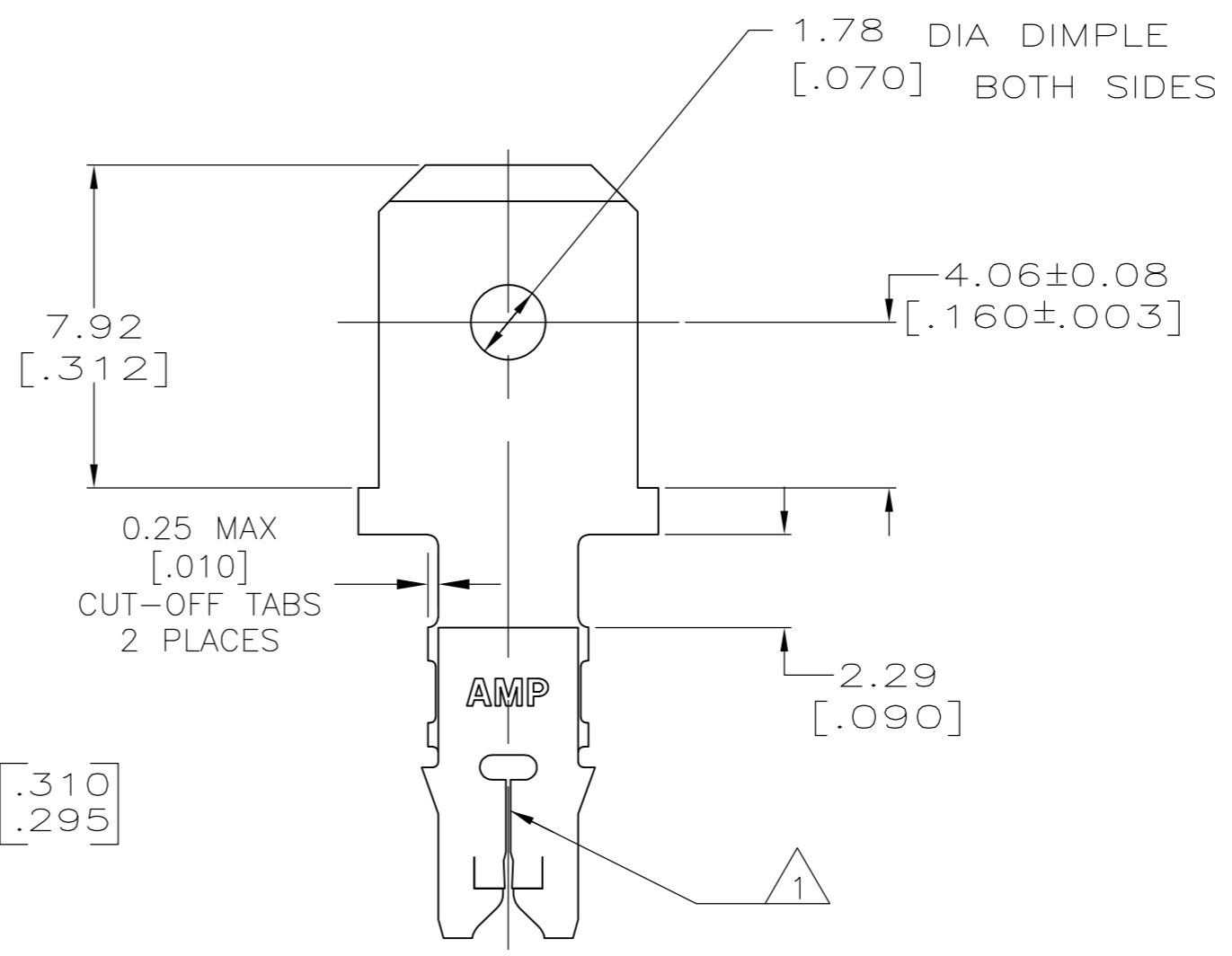
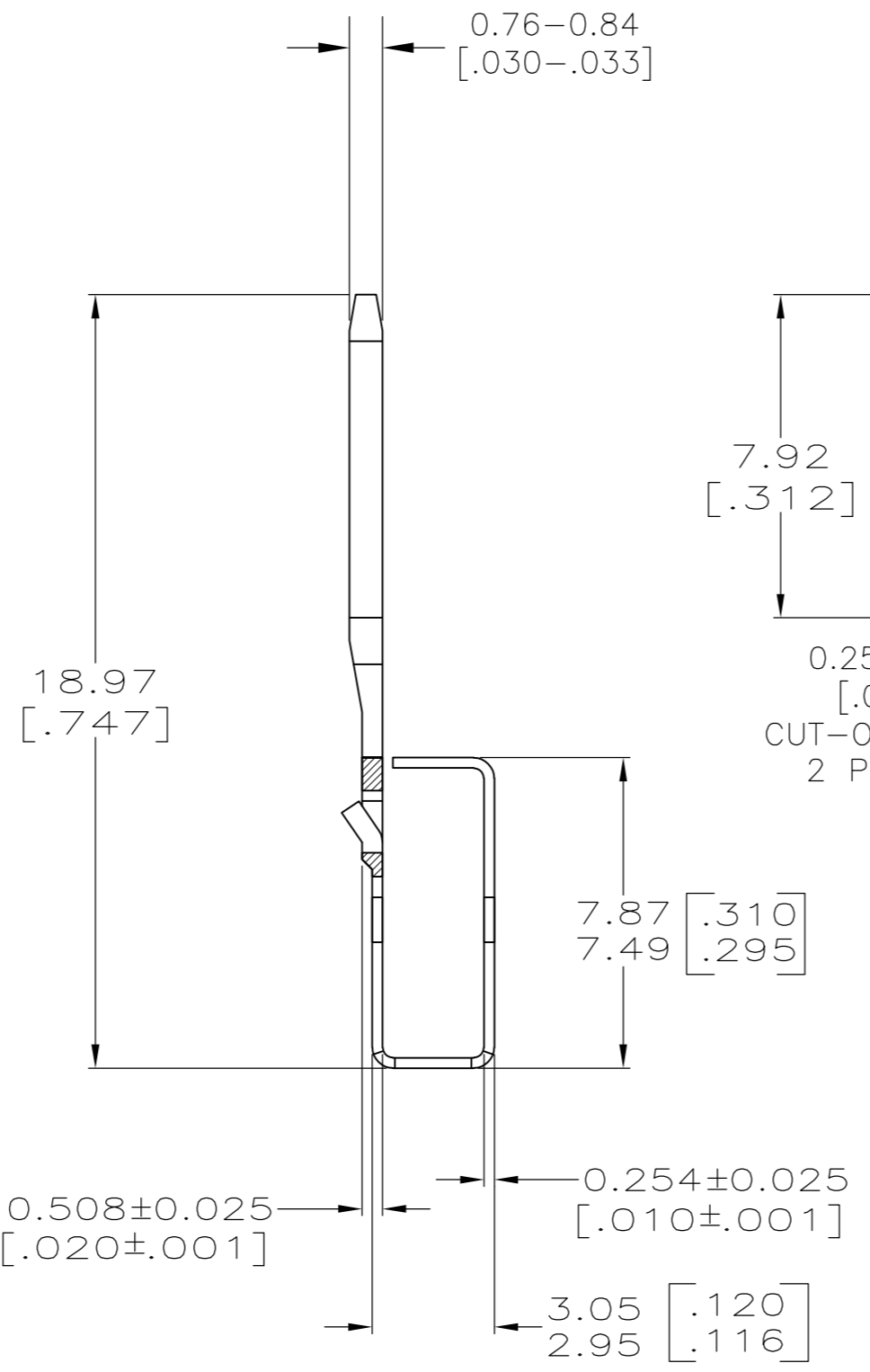
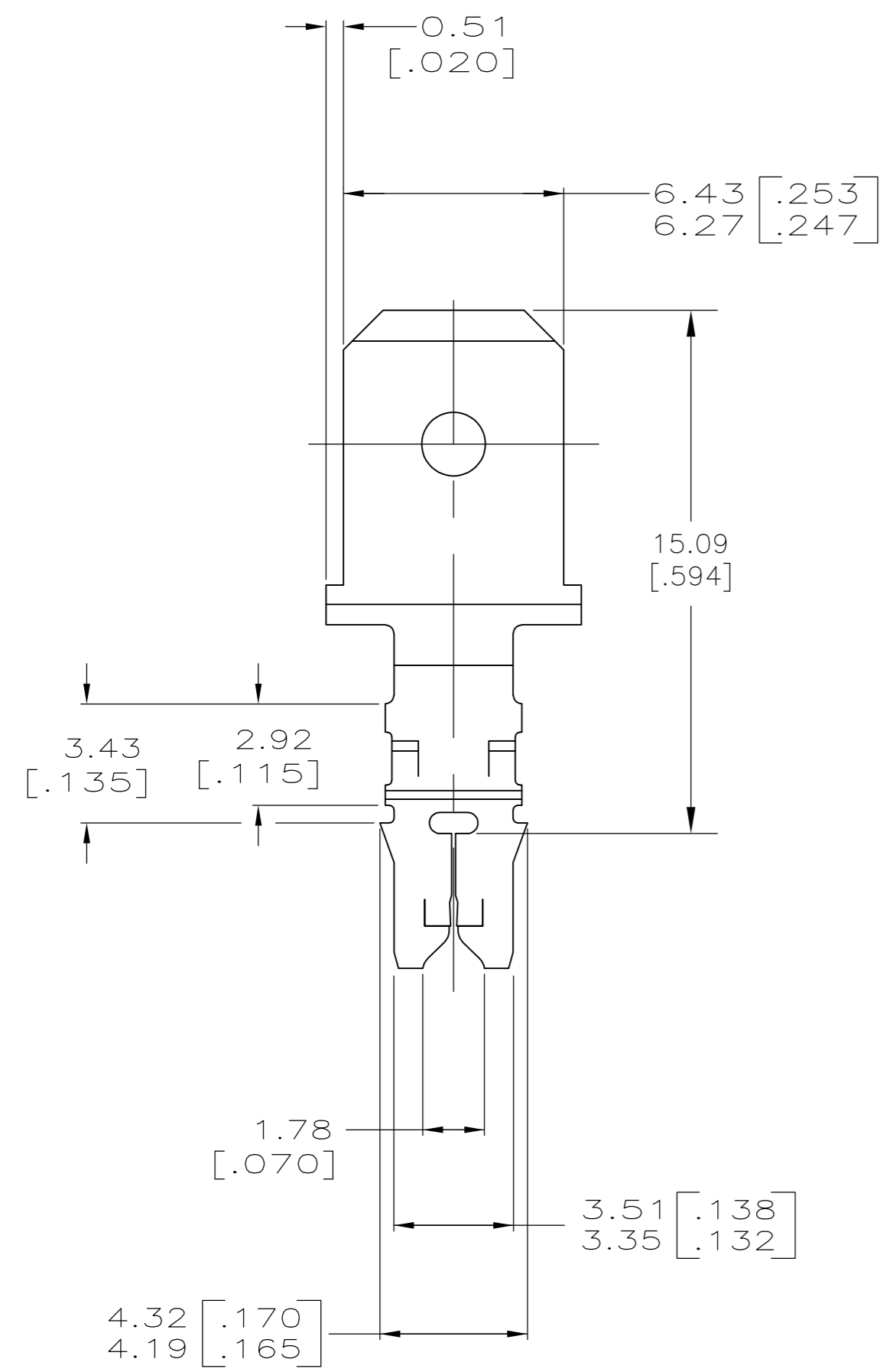


THIS DRAWING IS UNPUBLISHED. RELEASED FOR PUBLICATION  
 © COPYRIGHT BY TYCO ELECTRONICS CORPORATION. ALL RIGHTS RESERVED.

LOC	DIST	REVISIONS			
P	LTR	DESCRIPTION	DATE	DWN	APVD
AF	50	A1	REVISED PER ECR-07-023377	04OCT07	HMR KR



1 SLOT TERMINATES EITHER A SINGLE OR DOUBLE MAGNET WIRE OF THE SAME TYPE AND SIZE, COPPER RANGE; 0.18-0.23mm [#33-#31] AWG.



1742516-1  
PART NUMBER

THIS DRAWING IS A CONTROLLED DOCUMENT.		DWN MICHAEL S. FEHER 20DEC2006	Tyco Electronics Corporation Harrisburg, PA 17105-3608	
DIMENSIONS: INCHES		CHK KURT A. RANDOLPH 20DEC2006	NAME TAB, 6.35 [.250] FASTON, LOOSE PIECE, 300 SERIES MAG-MATE	
TOLERANCES UNLESS OTHERWISE SPECIFIED:		APVD KURT A. RANDOLPH 20DEC2006	PRODUCT SPEC 108-2012	
0 PLC ± -		APPLICATION SPEC 114-2067		
1 PLC ± -		WEIGHT -		
2 PLC ± 0.25 [.010]		SIZE A2 CAGE CODE 00779		
3 PLC ± -		DRAWING NO C=1742516		
4 PLC ± -		RESTRICTED TO -		
ANGLES ± -		SCALE 6:1 SHEET 1 OF 1 REV A1		
MATERIAL 4M PRE-MILLED BRASS		FINISH 0.002032 [.000080] MIN TIN PLATE		
CUSTOMER DRAWING				