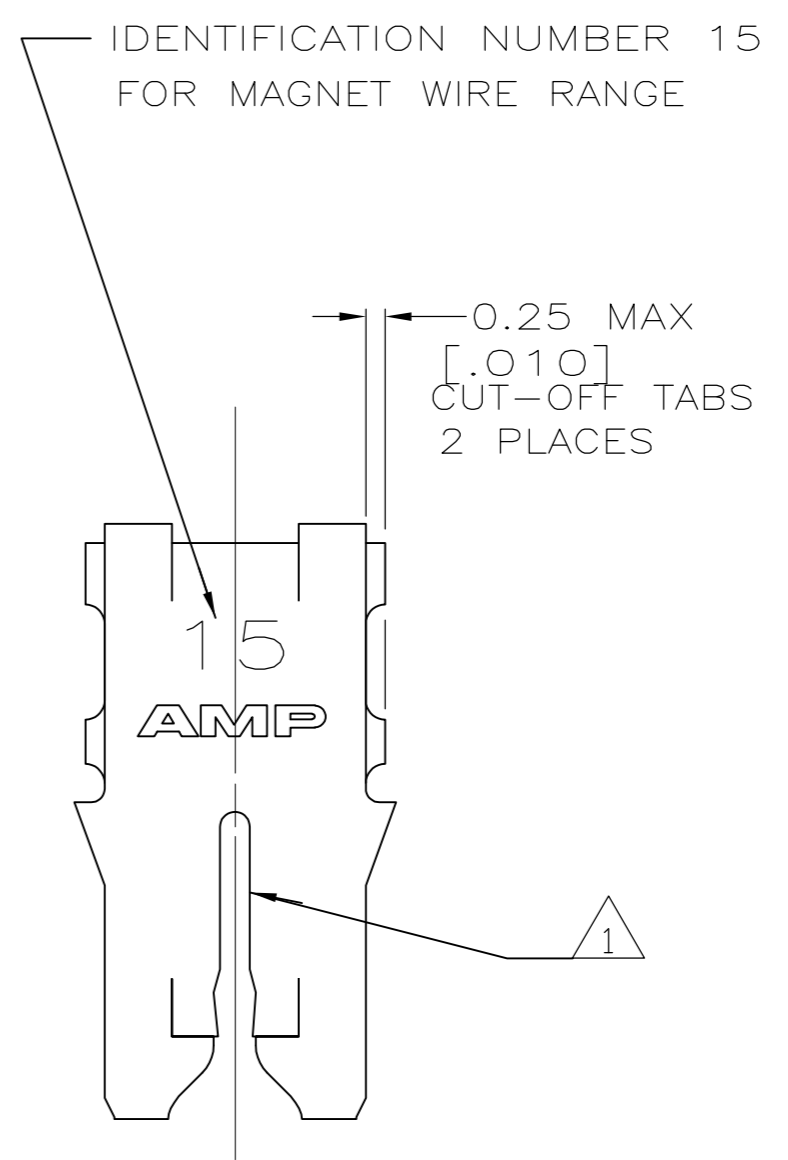
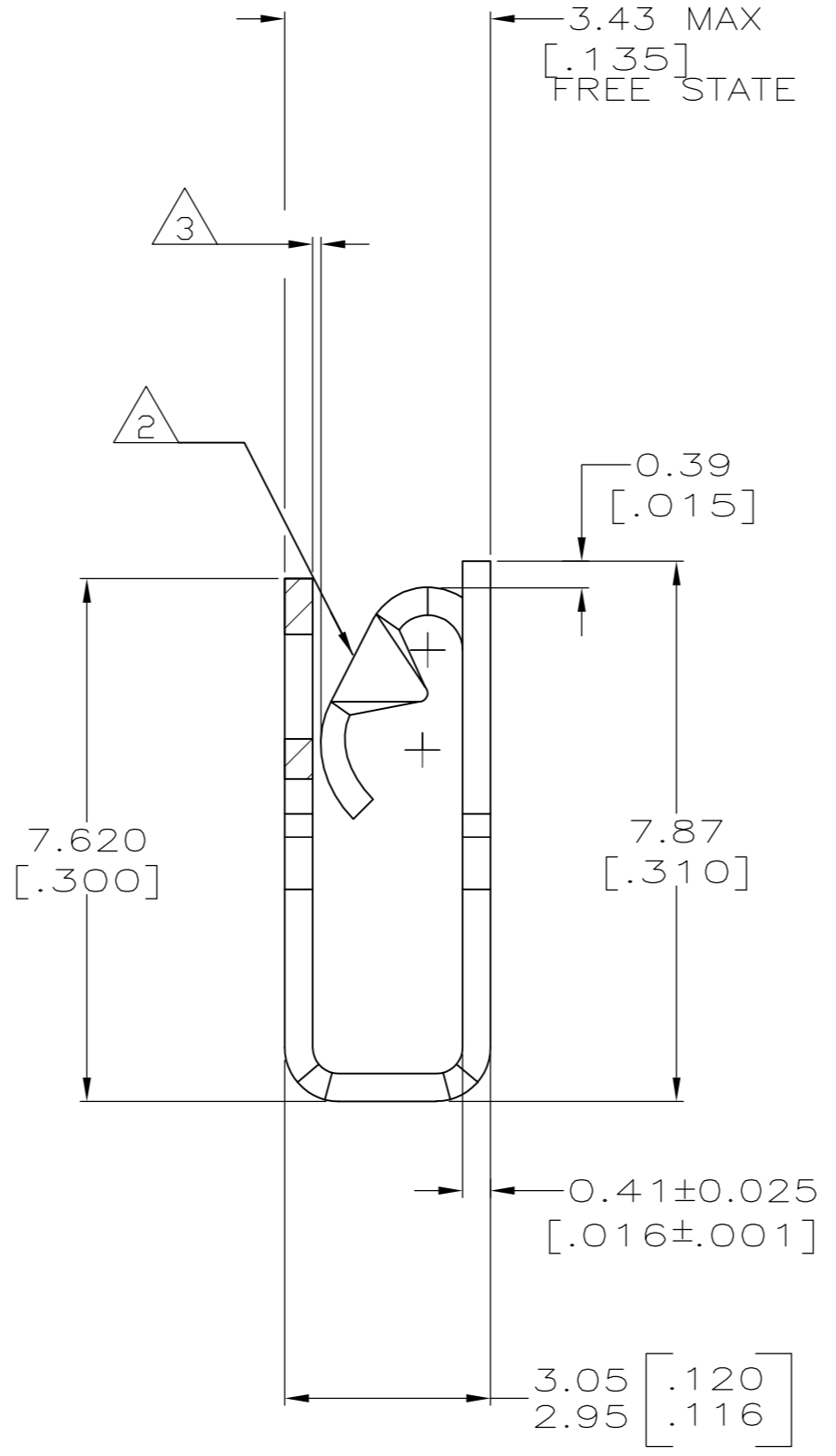
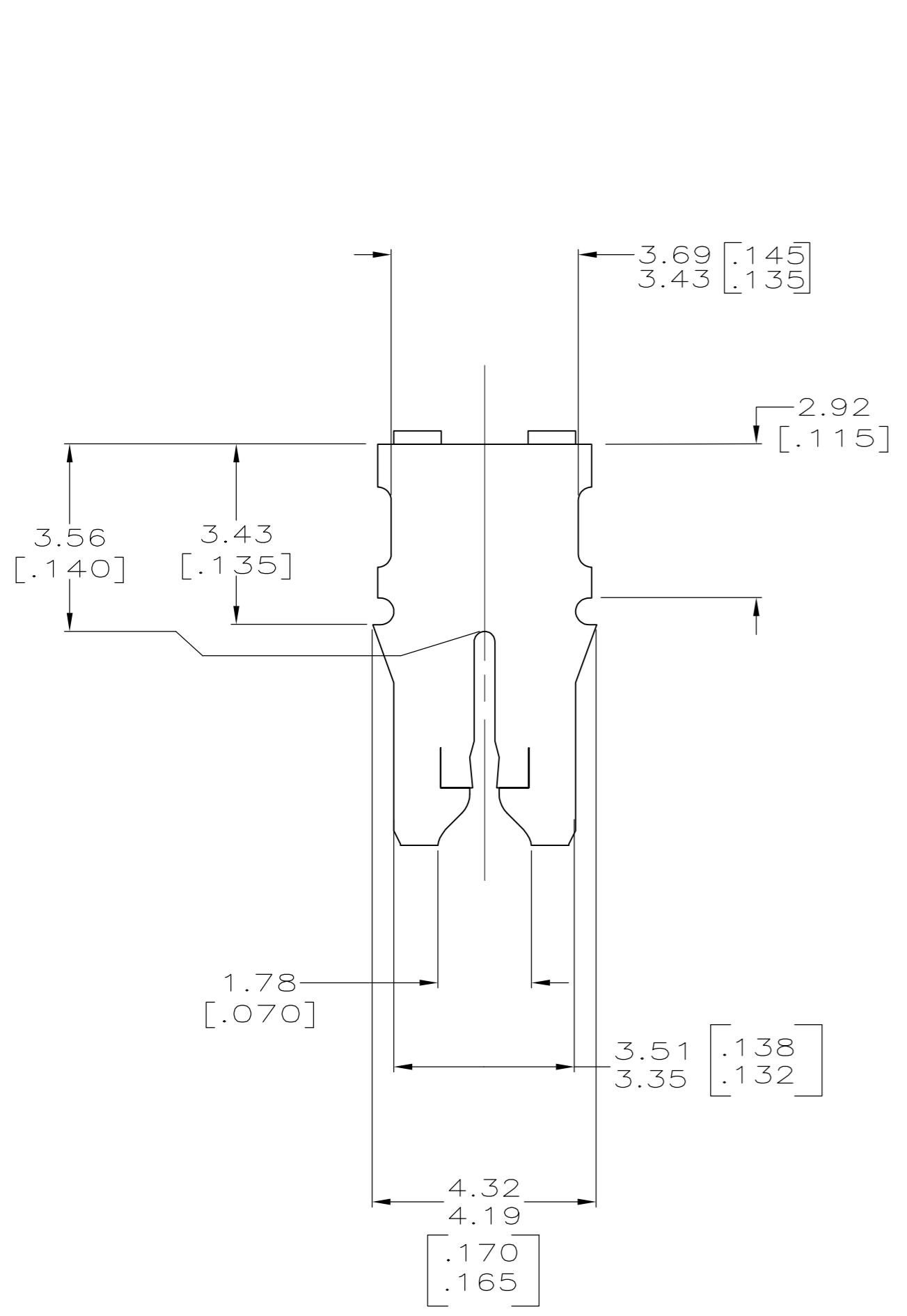
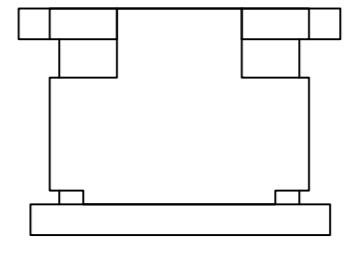


THIS DRAWING IS UNPUBLISHED. RELEASED FOR PUBLICATION
 © COPYRIGHT - By - ALL RIGHTS RESERVED.

LOC		DIST		REVISIONS			
P	LTR	DESCRIPTION		DATE	DWN	APVD	
AF	50	A2	ECR-13-016672	25OCT13	PKS	RRP	

- 1 SLOT ACCEPTS A 0.54-0.64mm [#23.5-#22] AWG COPPER MAGNET WIRE.
- 2 MATES WITH STANDARD MAG-MATE STYLED POKE-IN TAB TERMINAL.
- 3 WHEN FREE STATE IS COMPRESSED TO 3.23 [.127] DIMENSION GAP BETWEEN SPRING AND CARRIER IS TO BE 0.30 [.012] MAX.
- 4 TIN PLATE OVER NICKEL UNDERPLATE.



1742483-1
 PART NUMBER

THIS DRAWING IS A CONTROLLED DOCUMENT.		DWN MICHAEL S. FEHER 09NOV2006																							
DIMENSIONS: mm		CHK KURT A. RANDOLPH 09NOV2006																							
TOLERANCES UNLESS OTHERWISE SPECIFIED:		APVD KURT A. RANDOLPH 09NOV2006	NAME SPECIAL LEAF CONTACT, LOOSE PIECE, 300 SERIES MAG-MATE																						
<table border="1"> <tr><td>0 PLC</td><td>±</td><td>-</td></tr> <tr><td>1 PLC</td><td>±</td><td>-</td></tr> <tr><td>2 PLC</td><td>±</td><td>0.25[.010]</td></tr> <tr><td>3 PLC</td><td>±</td><td>-</td></tr> <tr><td>4 PLC</td><td>±</td><td>-</td></tr> <tr><td>ANGLES</td><td>±</td><td>-</td></tr> <tr><td>FINISH</td><td>-</td><td>4</td></tr> </table>		0 PLC	±	-	1 PLC	±	-	2 PLC	±	0.25[.010]	3 PLC	±	-	4 PLC	±	-	ANGLES	±	-	FINISH	-	4	PRODUCT SPEC 108-2012	SIZE A2	CAGE CODE 00779
0 PLC	±	-																							
1 PLC	±	-																							
2 PLC	±	0.25[.010]																							
3 PLC	±	-																							
4 PLC	±	-																							
ANGLES	±	-																							
FINISH	-	4																							
MATERIAL BRASS	WEIGHT -	APPLICATION SPEC 114-2046	DRAWING NO C=1742483	RESTRICTED TO -																					
CUSTOMER DRAWING			SCALE 10:1	SHEET 1 of 1																					
			REV A2																						