

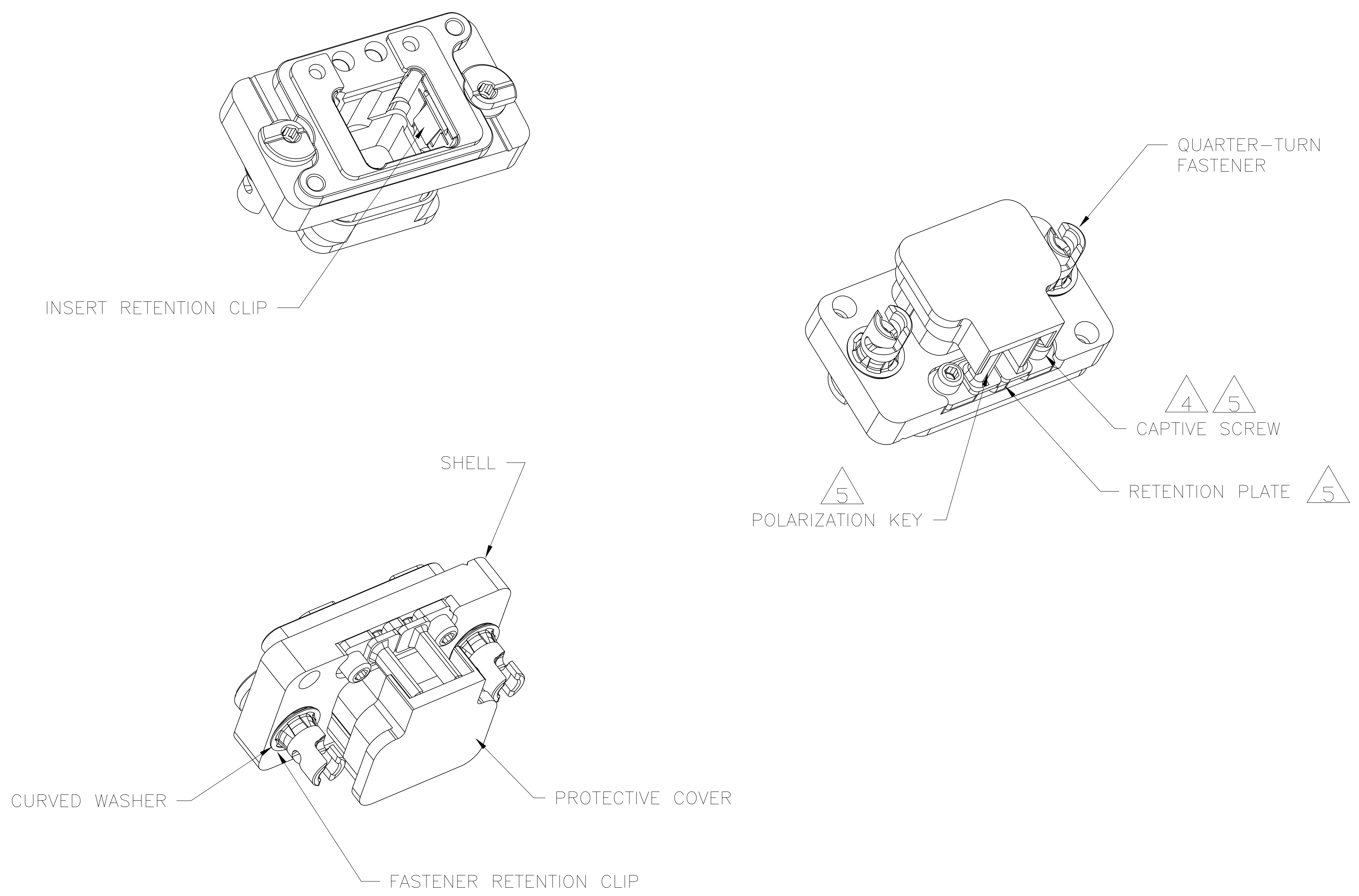
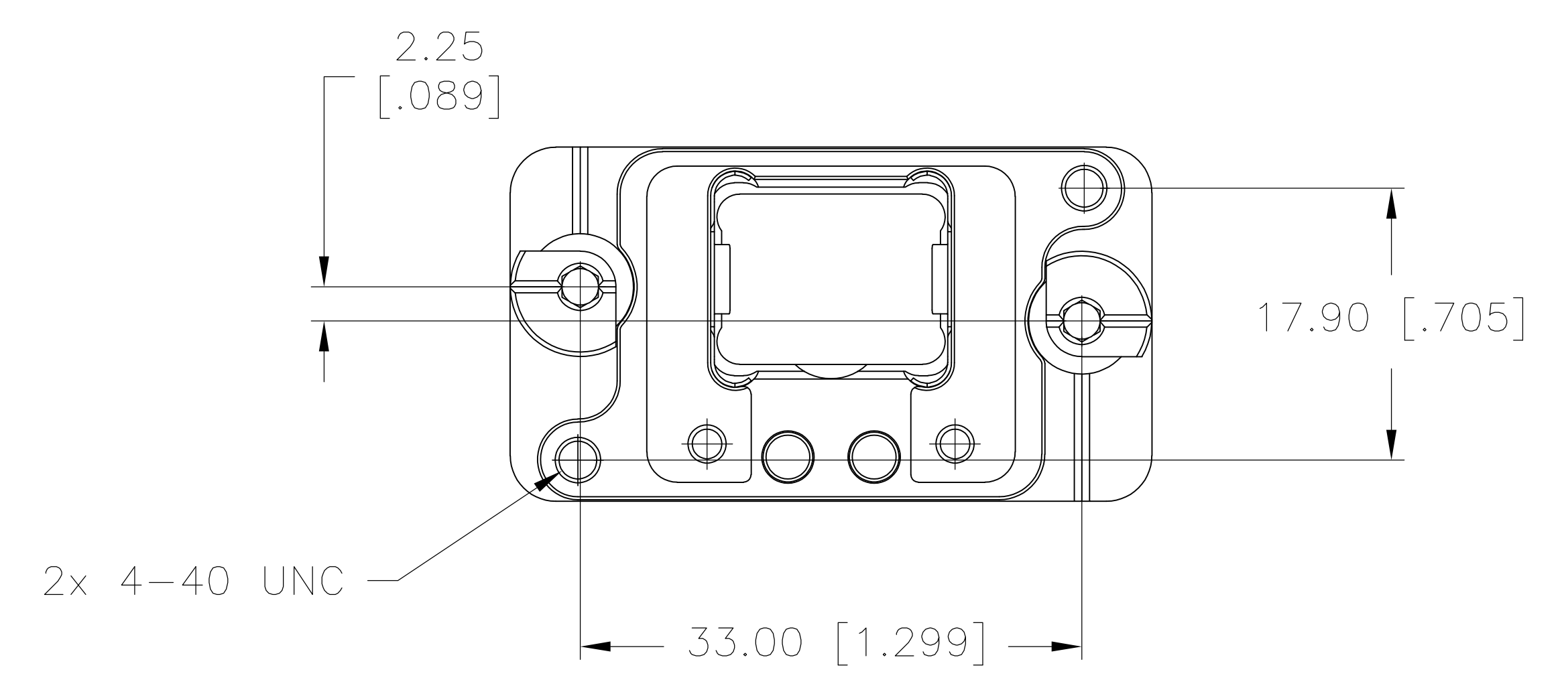
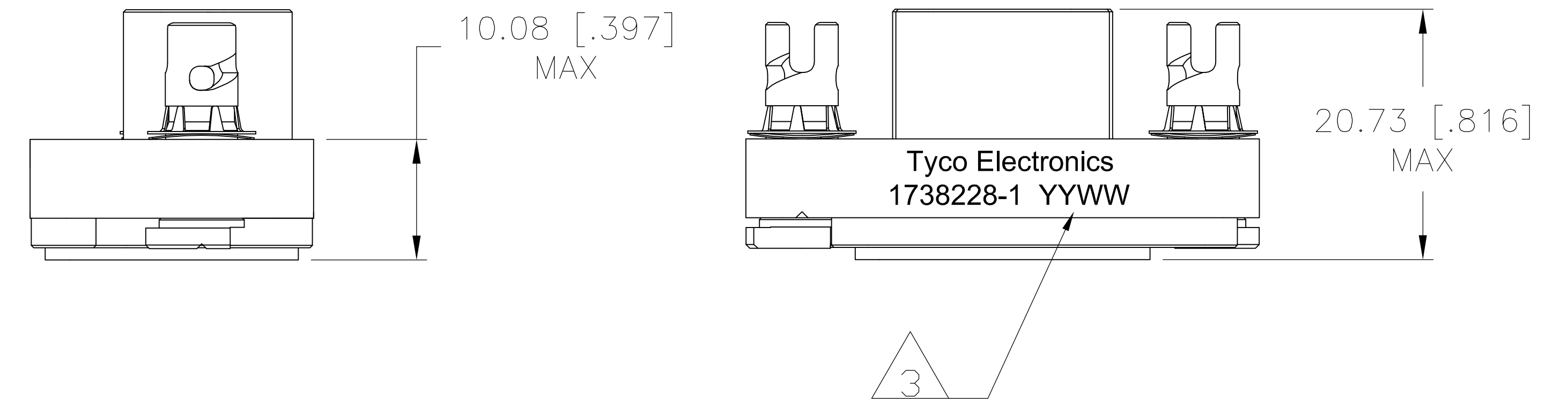
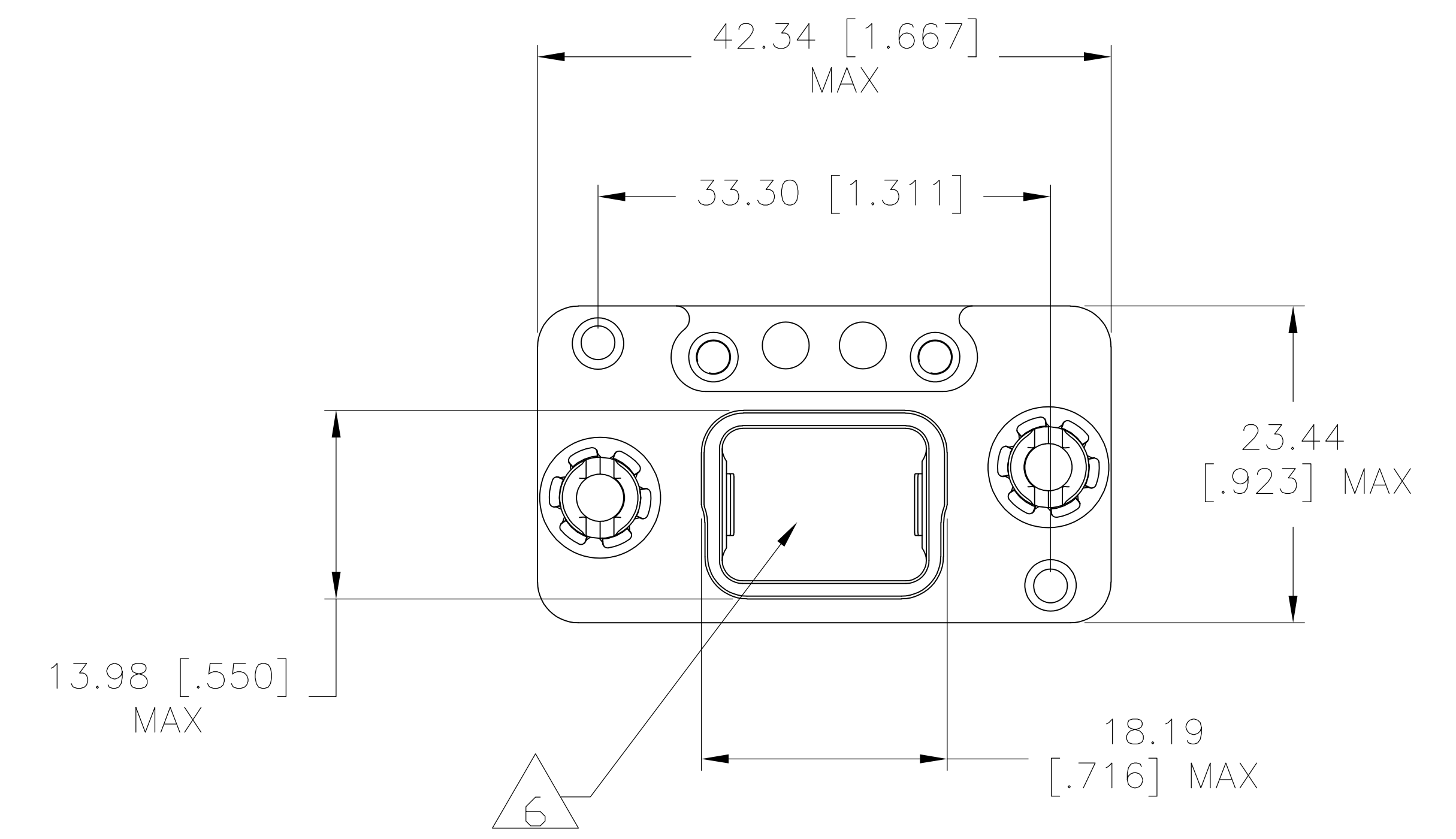
REVISIONS				
REV	DATE	BY	APP'D	DESCRIPTION
0	04/04			CONVERTED RADIAL DWG TO TYCO ACAD DWG
1	25FEB10	RF	JM	REVISED
2	07APR10	RF	JM	REVISED

- 1 SHELL & KEY RETENTION PLATE: ALUMINUM ALLOY
- QUARTER-TURN FASTENER: COPPER ALLOY PER ASTM B196
- INSERT RETENTION CLIP, CURVED WASHER & FASTENER RETENTION CLIP: COPPER ALLOY PER ASTM B194
- CAPTIVE SCREW: STAINLESS STEEL PER AISI 303
- SCREW RETENTION CLIPS: STAINLESS STEEL PER AISI 304
- PROTECTIVE COVER: THERMOPLASTIC ELASTOMER
- POLARIZATION KEY: PEI THERMOPLASTIC PER ASTM D5205

- 2 SHELL: ELECTROLESS NICKEL PER SAE AMS-C-26074, CLASS 1.
- KEY RETENTION PLATE: ANODIZED, CLEAR
- 3 DATE CODE - YEAR & WEEK (YY WW)
- 4 4-40 CAPTIVE SCREWS ON KEY RETENTION PLATE
- RECOMMENDED LOCKING TORQUE: 0.8 N.m [7in-lb]
- 5 THE POLARIZATION KEYS & RETENTION PLATE ARE SHIPPED UNASSEMBLED.
- 6 SHELL CAVITY FOR GPRA SERIES INSERTS WITH KEYING CODE A.

7. DESCRIPTIVE PART NUMBER: GPRA1PB04N
 SERIES: GPRA
 SHELL SIZE: 1 (SINGLE-CAVITY SHELL)
 SHELL STYLE: P (PLUG)
 MODIFICATION CODE: B (NO MOUNTING HOLES)
 LOCKING DEVICE: 0 (QUARTER-TURN FASTENER)
 POLARIZATION CODE: 4 (KIT, WITH POLARIZING HARDWARE UNASSEMBLED)
 SHELL PLATING: N (NICKEL PLATING)

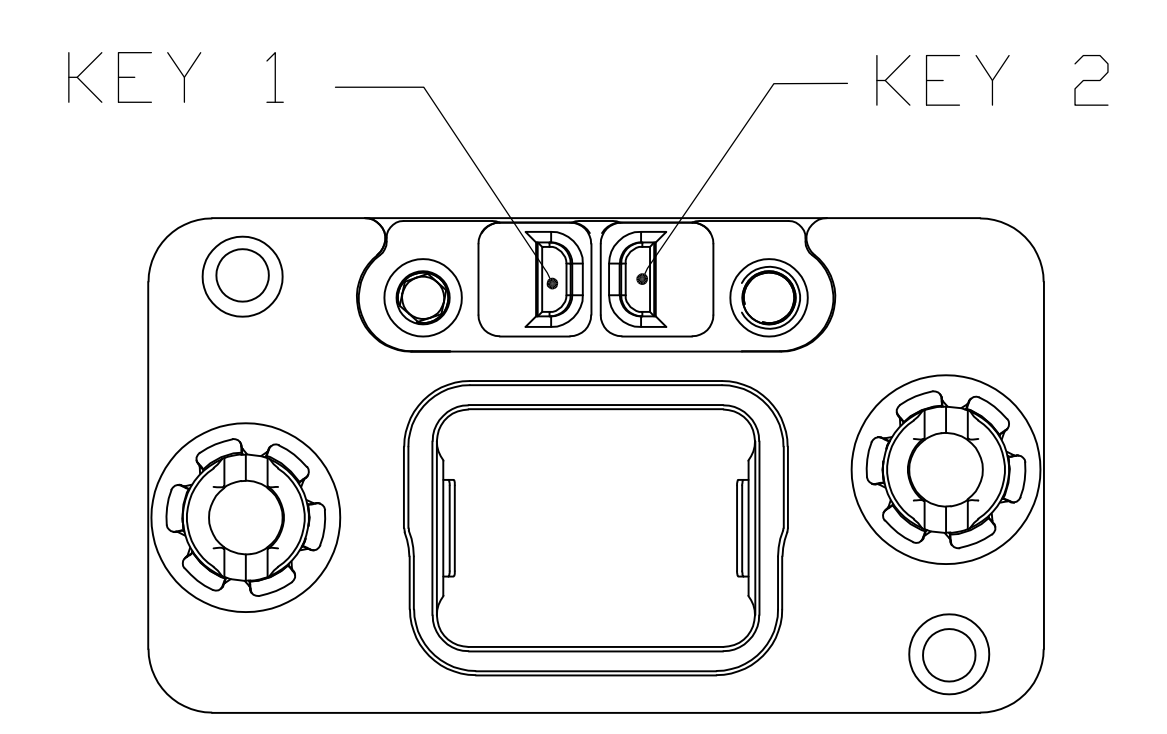
8. THIS PRODUCT IS SOLD BY TYCO ELECTRONICS UNDER A LICENSE FROM RADIAL SA.



THIS PRINT IS
PRELIMINARY
 UNQUALIFIED PRODUCT
 CONTACT PRODUCT ENGINEERING
 BEFORE USING THIS PRINT

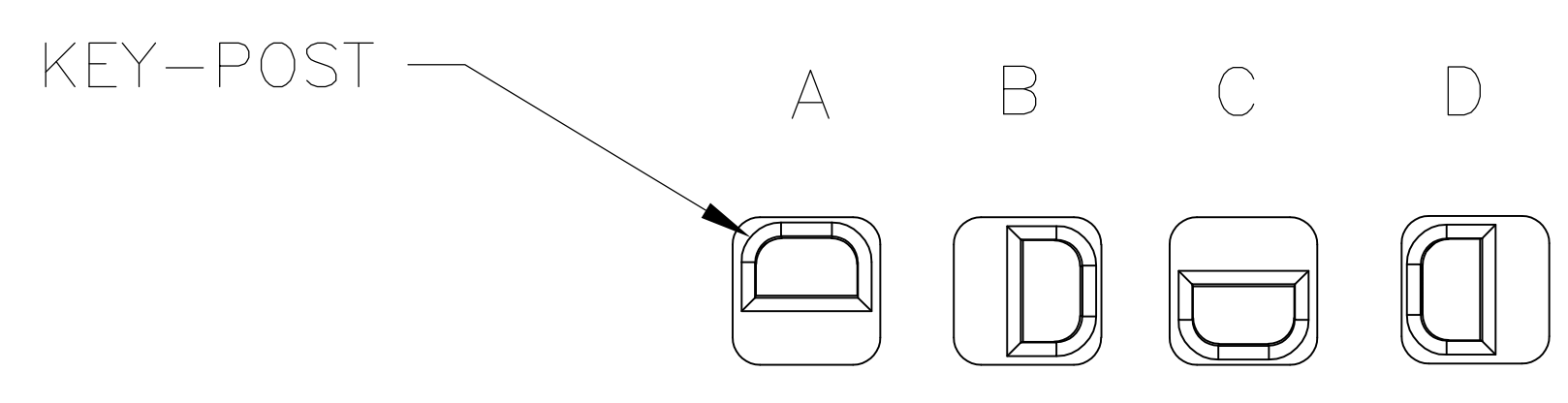
1738228-1
 PART NUMBER

THIS DRAWING IS A CONTROLLED DOCUMENT.		REV	DATE	BY	APP'D	Tyco Electronics Corporation Harrisburg, Pa 17105-3608	
DIMENSIONS: UNLESS OTHERWISE SPECIFIED:		0. PLG	+	0.00	+	0.00	+
		1. PLG	+	0.13	+	0.00	+
		2. PLG	+	0.13	+	0.00	+
		3. PLG	+	0.13	+	0.00	+
		4. PLG	+	0.13	+	0.00	+
		5. PLG	+	0.13	+	0.00	+
MATERIAL: Δ		FINISH: Δ	WEIGHT: --	APPROX. WEIGHT: --	APPROX. WEIGHT: --	APPROX. WEIGHT: --	APPROX. WEIGHT: --
CUSTOMER DRAWING		SCALE: 1:1	SHEET: 1 OF 2	REV: 2	DRAWING NO: A000779-1738228		



CODE NUMBER 08 SHOWN: B-D
 POLARIZATION KEY 1 POLARIZATION KEY 2

PLUG CONNECTOR POLARIZATION



CODE NUMBER	KEY 1	KEY 2
01	A	A
02	A	B
03	A	C
04	A	D
05	B	A
06	B	B
07	B	C
08	B	D
09	C	A
10	C	B
11	C	C
12	C	D
13	D	A
14	D	B
15	D	C
16	D	D

KEY-POST ORIENTATION

THIS PRINT IS
PRELIMINARY
 UNQUALIFIED PRODUCT
 CONTACT PRODUCT ENGINEERING
 BEFORE USING THIS PRINT

1738228-1
 PART NUMBER

THIS DRAWING IS A CONTROLLED DOCUMENT.		REV. FLAG	APPROX.	Tyco Electronics Corporation Harrisburg, Pa 17105-3608
DIMENSIONS: (UNLESS OTHERWISE SPECIFIED):		DATE	APPROX.	
mm (INCHES)	0. PLG ± .005 1. PLG ± .005 2. PLG ± 0.13 (0.005) 3. PLG ± .005 4. PLG ± .005 ANGLES ± .005	J. MOSIER L. MOSIER PRODUCT SPEC APPLICATION SPEC	DATE DATE DATE DATE	PLUG SHELL KIT WITH POLARIZING HARDWARE GPRA
MATERIAL	FINISH	WEIGHT	SIZE	CUSTOMER DRAWING SCALE: 1:1 SHEET: 2 OF 2 REV: 2