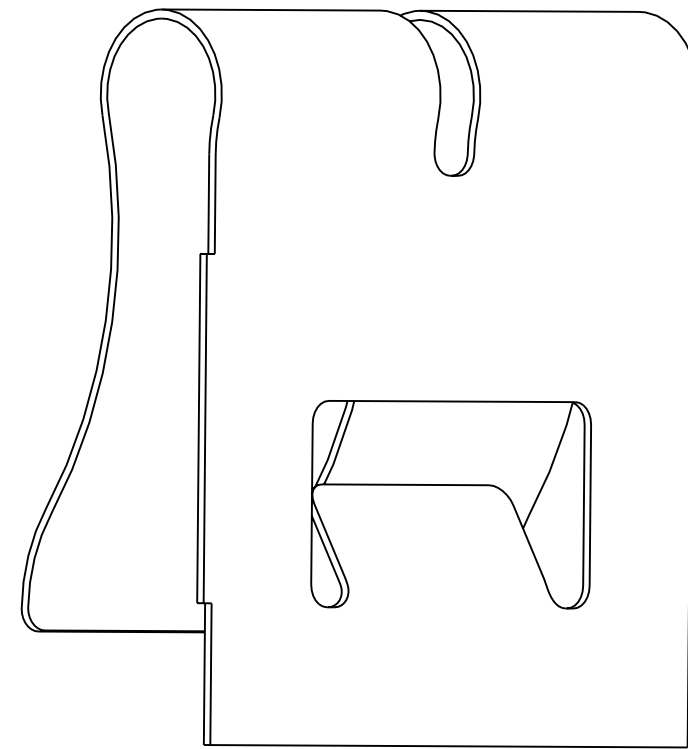
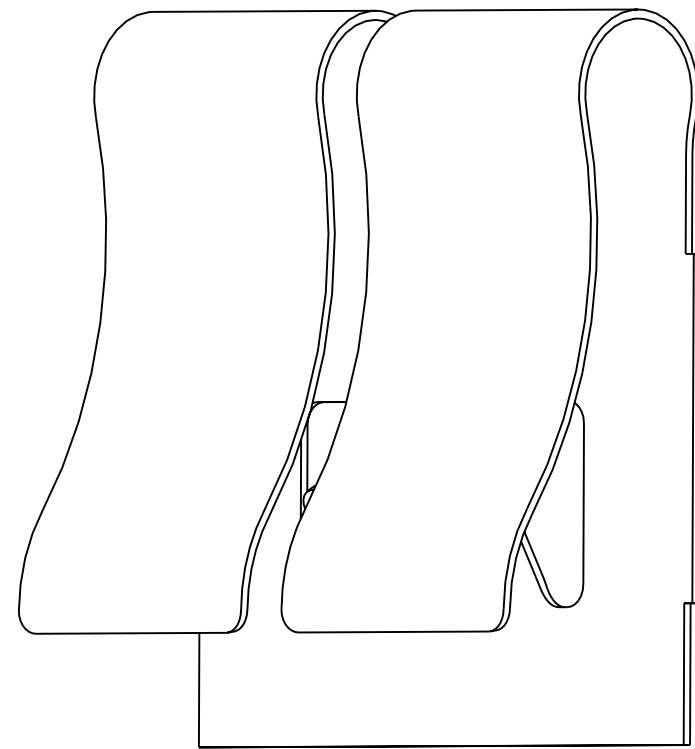
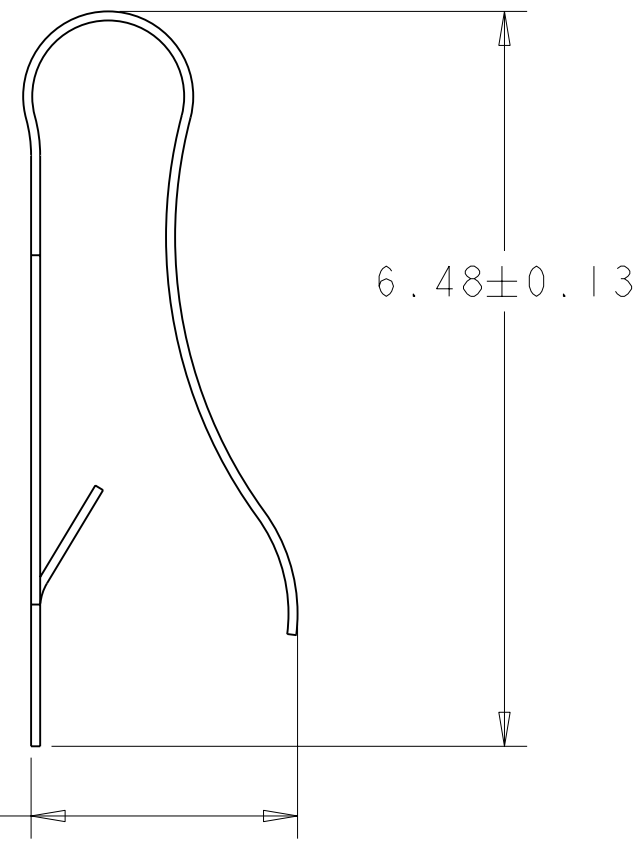
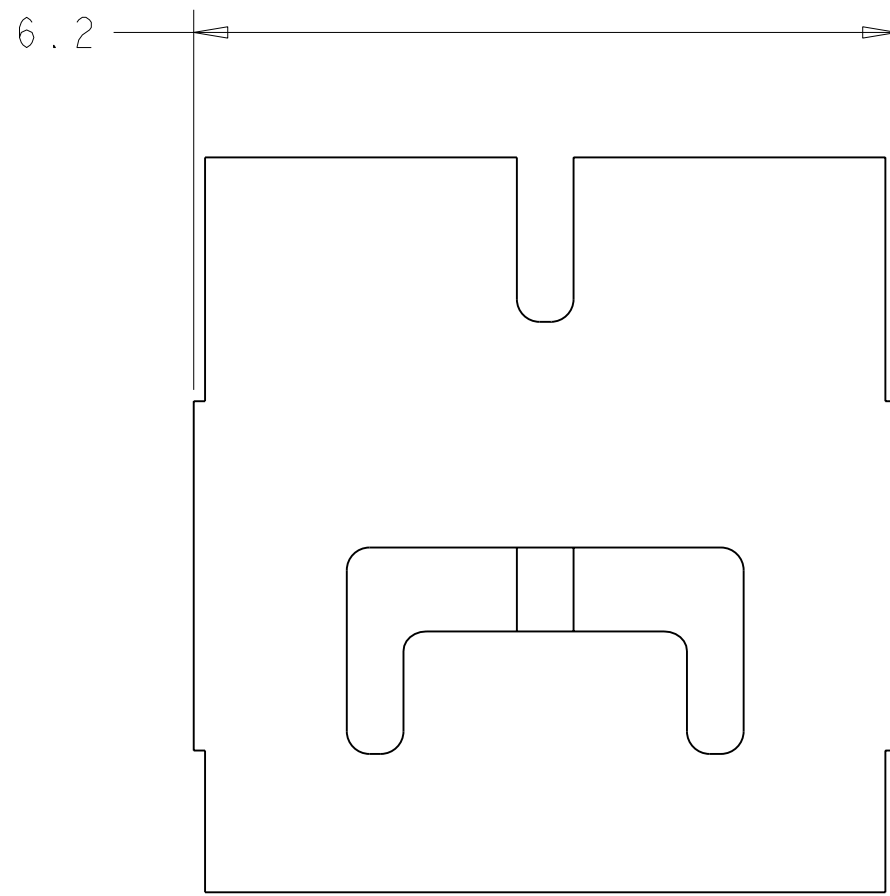


THIS DRAWING IS UNPUBLISHED. RELEASED FOR PUBLICATION 20  
 © COPYRIGHT 20 BY TYCO ELECTRONICS CORPORATION. ALL RIGHTS RESERVED.

LOC	DIST	REVISIONS					
DF	A5	P	LTR	DESCRIPTION	DATE	DWN	APVD
		I		REDRAWN IN PRO-E	26JAN06	BH	JPM



THIS PRINT IS  
**PRELIMINARY**  
 UNQUALIFIED PRODUCT  
 CONTACT PRODUCT ENGINEERING  
 BEFORE USING THIS PRINT

1738199-1  
 PART  
 NUMBER

- ① COPPER ALLOY PER ASTM B194.
- ② ELECTROLYTIC NICKEL PER SAE AMS-QQ-N-290.
- 3. THIS PRODUCT IS SOLD BY TYCO ELECTRONICS UNDER A LICENSE FROM RADIALL SA.

<small>THIS DRAWING IS A CONTROLLED DOCUMENT FOR TYCO ELECTRONICS CORPORATION          IT IS SUBJECT TO CHANGE AND THE CONTROLLING ENGINEERING ORGANIZATION          SHOULD BE CONTACTED FOR THE LATEST REVISION.</small>		DWN BH	26JAN2006	Tyco Electronics Harrisburg, PA 17105-3608
DIMENSIONS: mm		CHR JPM	26JAN2006	
TOLERANCES UNLESS OTHERWISE SPECIFIED: 0 PLC ± 1 PLC ±0.1 2 PLC ±0.05 3 PLC ± 4 PLC ± ANGLES ±1		APVD JPM	26JAN2006	NAME GROUNDING SPRING GPRA
MATERIAL ① - ② -		PRODUCT SPEC	-	SIZE A200779
		APPLICATION SPEC	-	CAGE CODE C=1738199
		WEIGHT	-	DRAWING NO C=1738199
		CUSTOMER DRAWING		RESTRICTED TO -
		SCALE	15:1	SHEET 1 OF 1