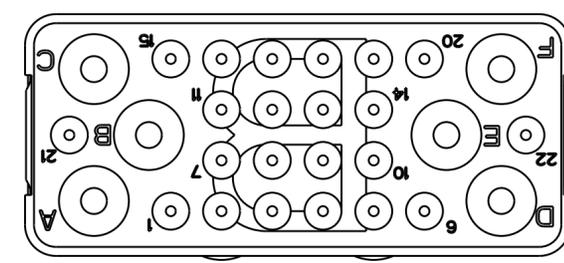
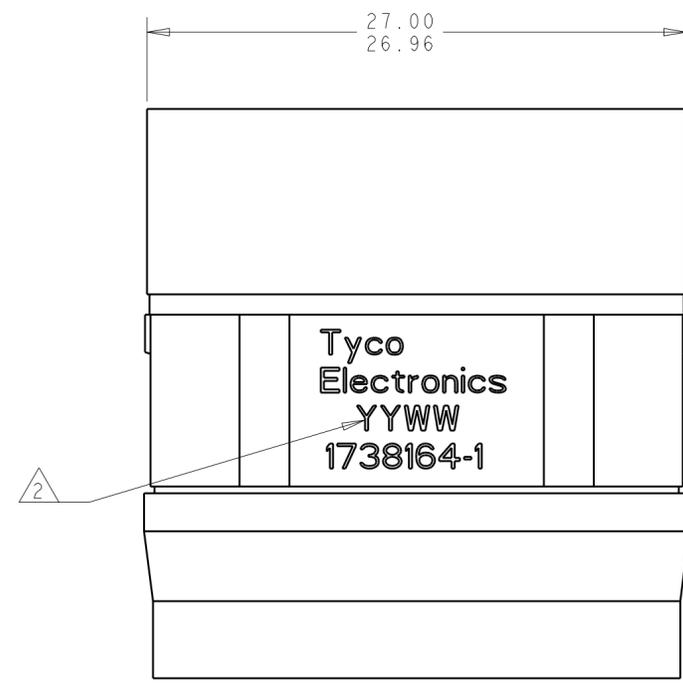
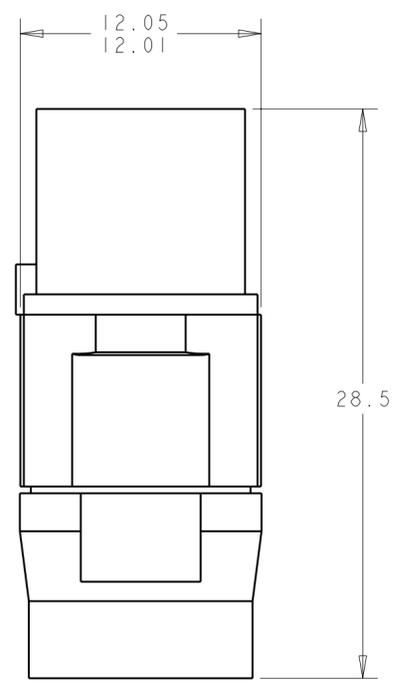
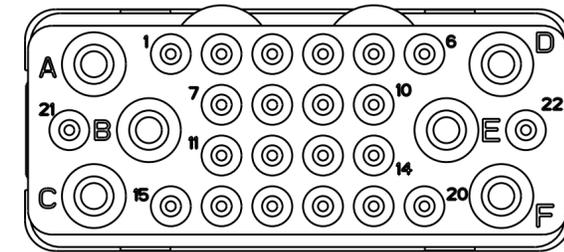


THIS DRAWING IS UNPUBLISHED. RELEASED FOR PUBLICATION 20  
 © COPYRIGHT 20 BY TYCO ELECTRONICS CORPORATION. ALL RIGHTS RESERVED.

LOC		DIST		REVISIONS			
P	LTR	DESCRIPTION	DATE	DWN	APVD		
1		REDRAWN IN PRO/E	23AUG2005	CJV	JPM		
2		REVISED	30APR2010	RF	JM		



- 1 FRONT & REAR INSULATORS: THERMOSET EPOXY PER ASTM D5948  
CONTACT RETENTION CLIPS: COPPER ALLOY PER ASTM B194.  
REAR GROMMET: FLOUROSILICONE ELASTOMER  
PER MIL-R25988 B, EXCEPT 4.6.6.1
- 2 DATE CODE: YEAR & WEEK (YY WW).
- 3. DESCRIPTIVE PART NUMBER: GPRBE28SB  
THIS INSERT CONTAINS:  
22 CAVITIES FOR SIZE 22 PIN CONTACTS  
6 CAVITIES FOR SIZE 15 OR 16 PIN CONTACTS.
- 4. THIS PRODUCT IS SOLD BY TYCO ELECTRONICS  
UNDER A LICENSE FROM RADIAL SA.

THIS PRINT IS  
**PRELIMINARY**  
 UNQUALIFIED PRODUCT  
 CONTACT PRODUCT ENGINEERING  
 BEFORE USING THIS PRINT

1738164-1  
 PART  
 NUMBER

THIS DRAWING IS A CONTROLLED DOCUMENT FOR TYCO ELECTRONICS CORPORATION IT IS SUBJECT TO CHANGE AND THE CONTROLLING ENGINEERING ORGANIZATION SHOULD BE CONTACTED FOR THE LATEST REVISION.		DWN CJV 23AUG2005	Tyco Electronics Harrisburg, PA 17105-3608	
DIMENSIONS: mm		CHK JPM 23AUG2005	NAME GPR-B SOCKET INSERT CLASS E CONTACT ARRANGEMENT 28, KEY B	
TOLERANCES UNLESS OTHERWISE SPECIFIED: 0 PLC ± 1 PLC ±0.5 2 PLC ±0.13 3 PLC ±0.013 4 PLC ±0.0001 ANGLES ± FINISH		APVD JPM 23AUG2005	SIZE A200779	
MATERIAL		PRODUCT SPEC -	DRAWING NO C-1738164	
		APPLICATION SPEC -	RESTRICTED TO -	
		WEIGHT -	SCALE 4:1	
		CUSTOMER DRAWING	SHEET 1 OF 1 REV 2	