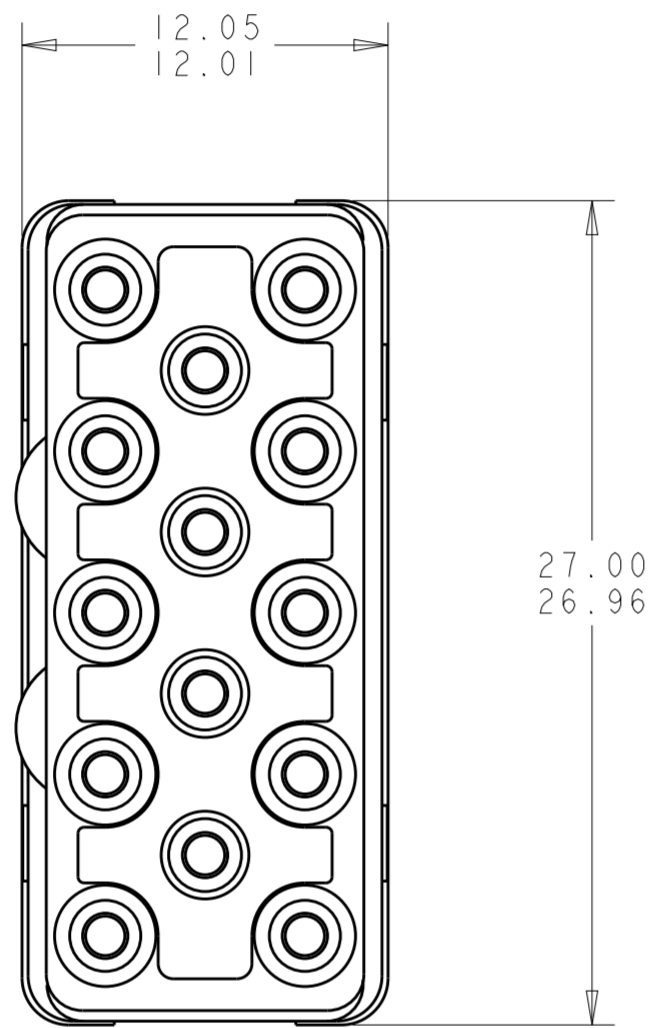
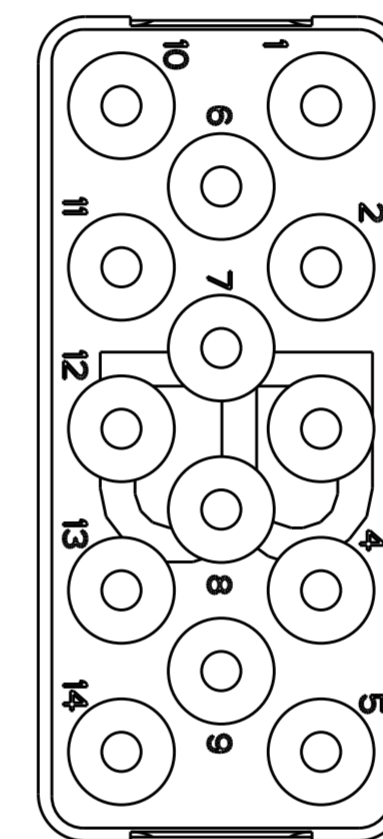
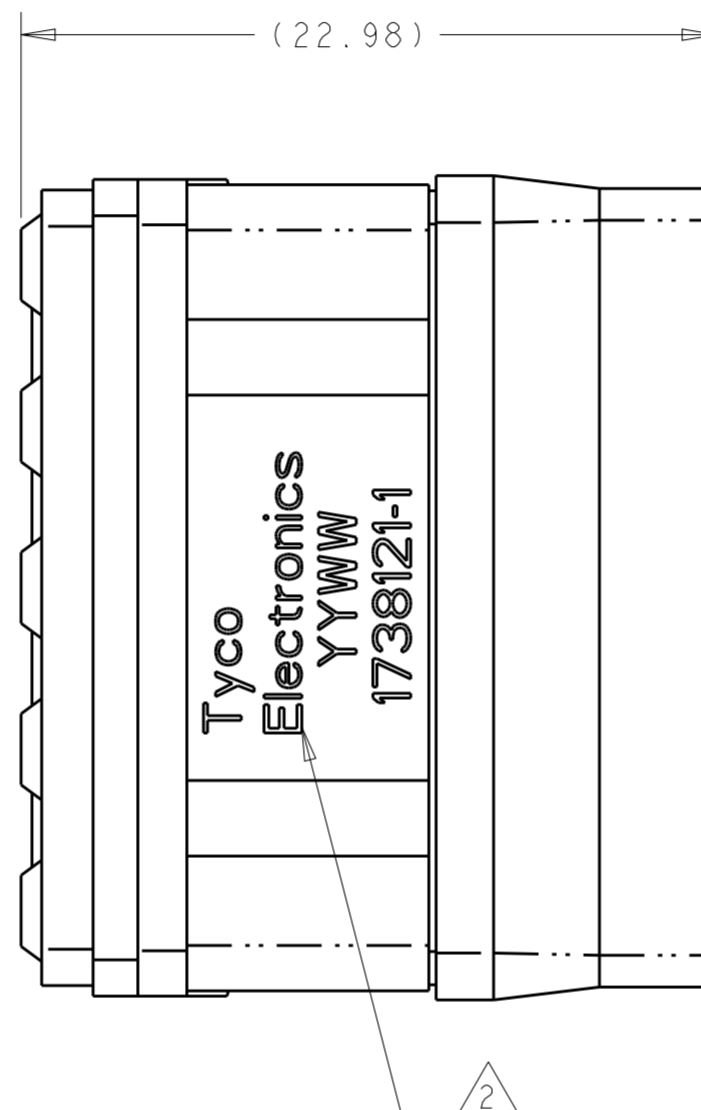


THIS DRAWING IS UNPUBLISHED. RELEASED FOR PUBLICATION 20  
 © COPYRIGHT 20 BY - ALL RIGHTS RESERVED.

REVISIONS				
P	LTR	DESCRIPTION	DATE	APVD
A		RELEASED PER ECO-16-004435	15APR2016	KG EO



MATING FACE



REAR FACE

1 FRONT & REAR INSULATOR: HIGH-TEMP THERMOPLASTIC OR THERMOSET EPOXY PER ASTM D5948.  
 CONTACT RETENTION CLIPS: STAINLESS STEEL PER AISI 302 OR COPPER ALLOY PER ASTM B194  
 REAR GROMMET & INTERFACIAL SEAL: FLUOROSILICONE ELASTOMER PER MIL-R-25988 B, EXCEPT 4.6.6.1

2 DATE CODE: YEAR & WEEK (YY WW)

3. DESCRIPTIVE PART NUMBER GPRBE14PB  
 THIS INSERT CONTAINS: 14 CAVITIES FOR SIZE 16 PIN CONTACTS.

4. THIS PRODUCT IS SOLD BY TE CONNECTIVITY UNDER A LICENSE FROM RADIALL SA.

617999250	1738121-1
RADIALL PART NUMBER	PART NUMBER

THIS DRAWING IS A CONTROLLED DOCUMENT.		DWN BH 29 JUN 2006	<b>STE</b> TE Connectivity	
		CHK JPM 29 JUN 2006		
DIMENSIONS: mm		APVD JPM 29 JUN 2006	NAME INSERT ASSEMBLY, PIN, ENVIRONMENTAL, ARRANGEMENT 14, KEY B, GPRB	
TOLERANCES UNLESS OTHERWISE SPECIFIED:		PRODUCT SPEC -	SIZE A200779 C-1738121	
0 PLC ±-		APPLICATION SPEC -	DRAWING NO C-1738121	
1 PLC ±0.1		WEIGHT -	RESTRICTED TO -	
2 PLC ±0.05		CUSTOMER DRAWING	SCALE 4:1 SHEET OF REV A	
3 PLC ±-				
4 PLC ±-				
ANGLES ±1°				
FINISH -				
MATERIAL 1				