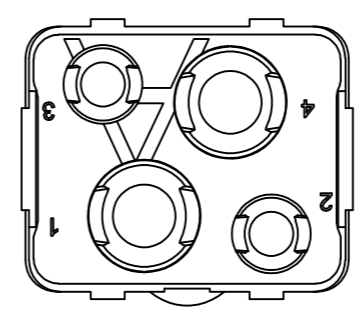
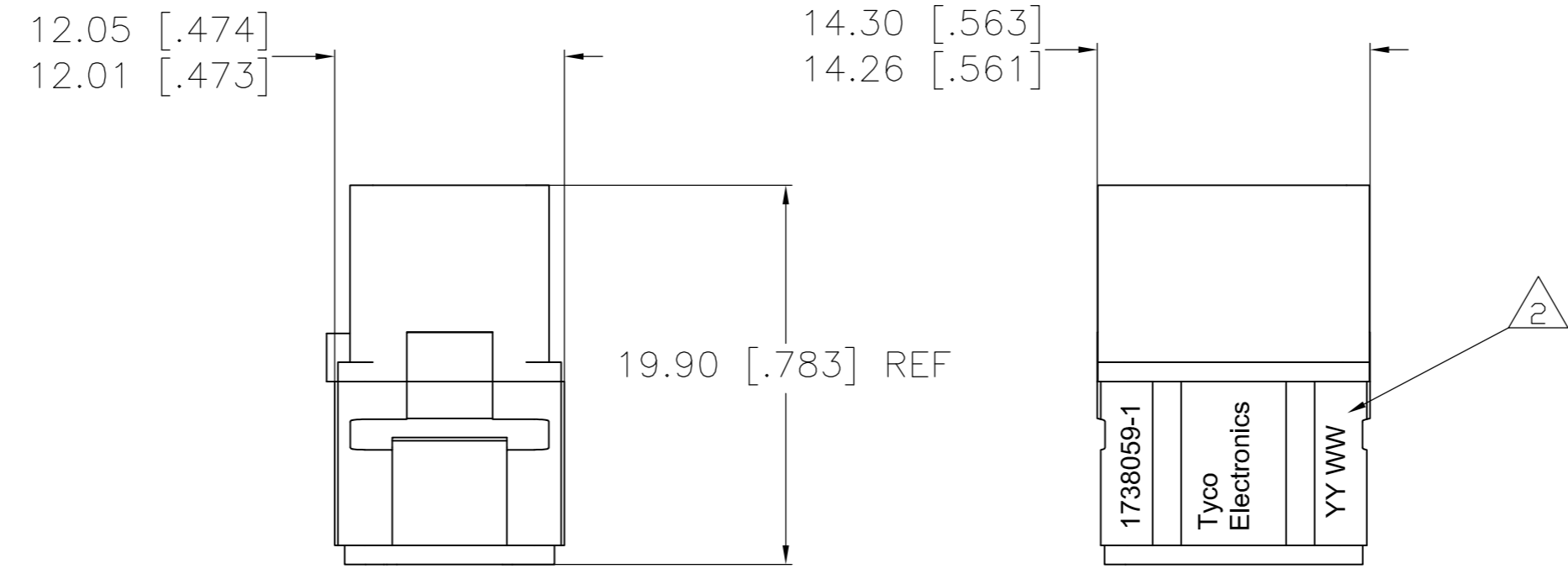
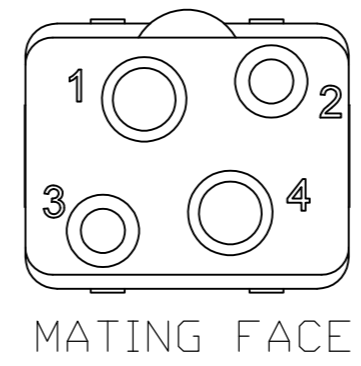


THIS DRAWING IS UNPUBLISHED. RELEASED FOR PUBLICATION  
 © COPYRIGHT BY TYCO ELECTRONICS CORPORATION. ALL INTERNATIONAL RIGHTS RESERVED.

LOC	DIST	REVISIONS			
P	LTR	DESCRIPTION	DATE	DWN	APVD
	0	CONVERTED RADIALL DWG TO TYCO ACAD DWG	11/03	—	—
	1	REVISED	22APR10	RF	JM

- 1 FRONT AND REAR INSULATORS: THERMOSET EPOXY PER ASTM D 5948  
CONTACT RETENTION CLIPS: COPPER ALLOY PER ASTM B194
- 2 DATE CODE: YEAR & WEEK (YYWW)
- 3. DESCRIPTIVE PART NUMBER: GPRAN04SA  
THIS INSERT CONTAINS 2 CAVITIES FOR SIZE 16 SOCKET CONTACTS  
THIS INSERT CONTAINS 2 CAVITIES FOR SIZE 12 SOCKET CONTACTS
- 4. THIS PRODUCT IS SOLD BY TYCO ELECTRONICS UNDER A LICENSE FROM RADIALL SA.



THIS PRINT IS  
**PRELIMINARY**  
 UNQUALIFIED PRODUCT  
 CONTACT PRODUCT ENGINEERING  
 BEFORE USING THIS PRINT

1738059-1  
 PART NUMBER

THIS DRAWING IS A CONTROLLED DOCUMENT.		DWN	R FLAIG	NOV03	Tyco Electronics Corporation Harrisburg, PA 17105-3608			
DIMENSIONS: mm [INCHES]		CHK	J MOSIER	NOV03				
TOLERANCES UNLESS OTHERWISE SPECIFIED:		APVD	J MOSIER	NOV03				
0 PLC ± - 1 PLC ± - 2 PLC ± 0.05 [.002] 3 PLC ± - 4 PLC ± - ANGLES ± -		PRODUCT SPEC	NAME GPR-A SOCKET INSERT, CLASS N, CONTACT ARRANGEMENT 04					
MATERIAL	1	FINISH	-	WEIGHT	-			
CUSTOMER DRAWING			SCALE	1:1	SHEET	1 of 1	REV	1