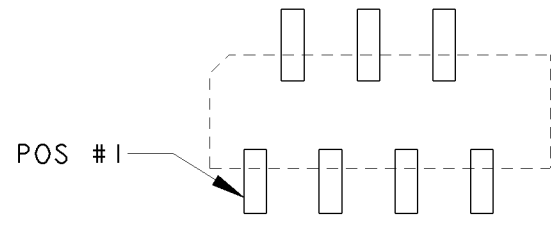
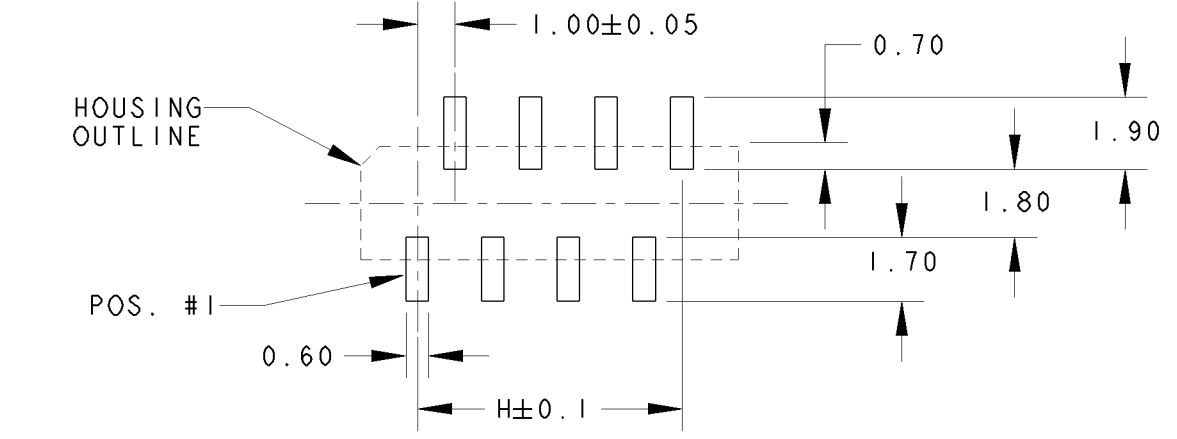
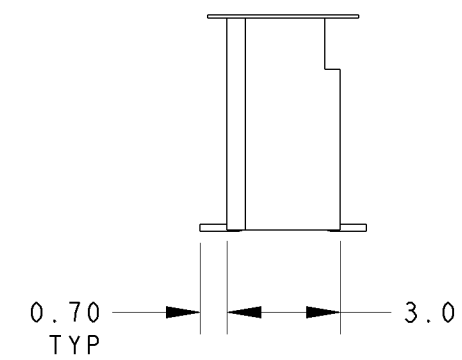
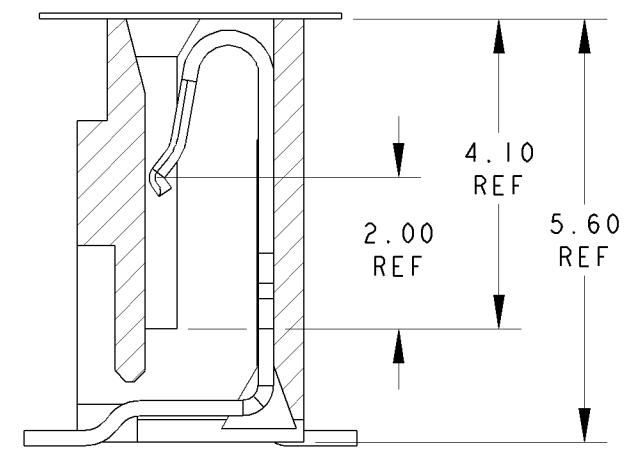
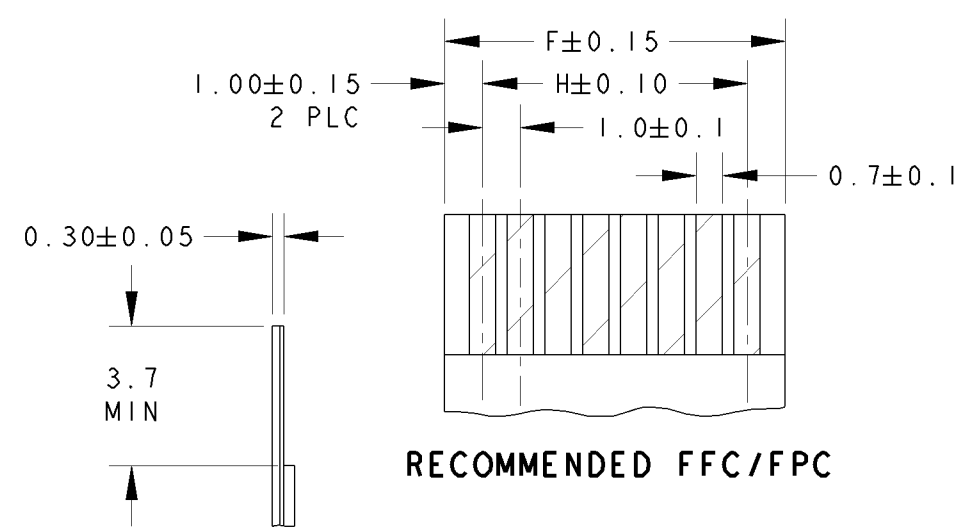
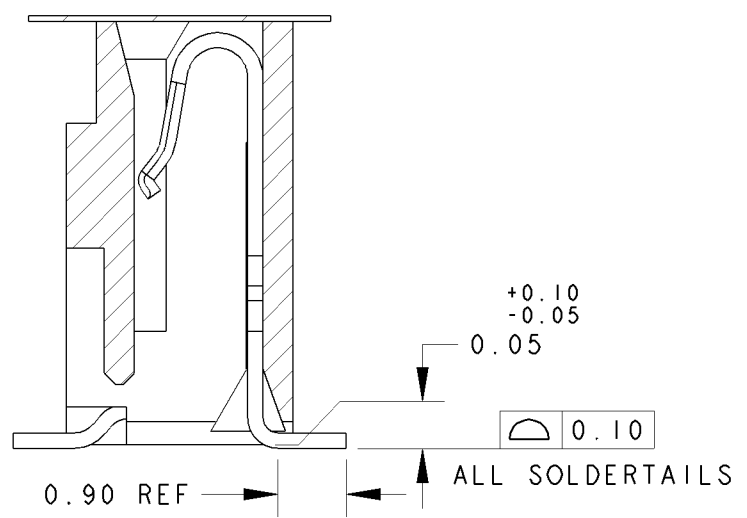
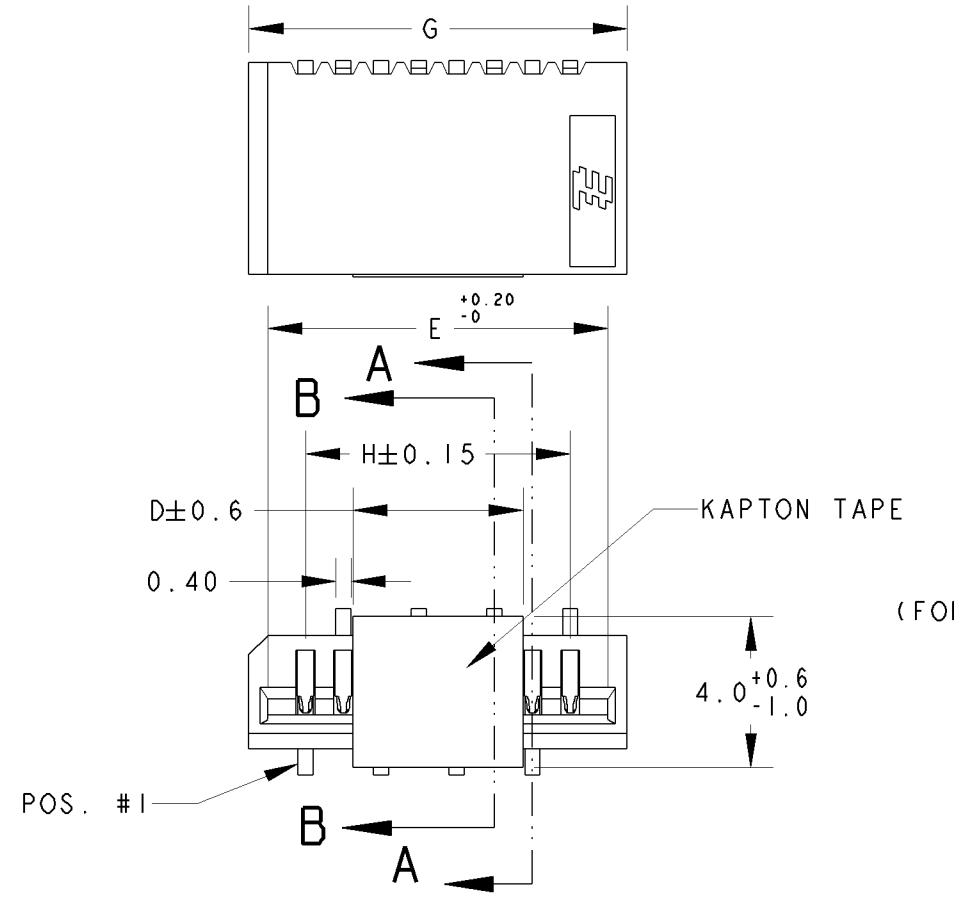


THIS DRAWING IS UNPUBLISHED. RELEASED FOR PUBLICATION .19
 © COPYRIGHT 19 BY AMP INCORPORATED. ALL RIGHTS RESERVED.

LOC	DIST	REVISIONS			
P	LTR	DESCRIPTION	DATE	DWN	APVD
DY	-	L REVISED ECR-10-012020	23JUL10	LYM	LSF

NOTES:
 1 MATERIAL:
 HOUSING: GLASS FILLED HIGH TEMP NYLON, NATURAL COLOR (BEIGE)
 CONTACT: PHOSPHOR BRONZE
 2 FINISH: MATTE TIN OVER NICKEL UNDERPLATE
 3. PACKAGING: TAPE & REEL (PACKAGING SPEC: 107-51189)



H	G	F	E	D	POS.	ON TAPE PART NO.
29.00	32.00	31.00	31.00	10.0	30	3- -0
28.00	31.00	30.00	30.00		29	2- -9
27.00	30.00	29.00	29.00		28	2- -8
26.00	29.00	28.00	28.00		27	2- -7
25.00	28.00	27.00	27.00		26	2- -6
24.00	27.00	26.00	26.00		25	2- -5
23.00	26.00	25.00	25.00		24	2- -4
22.00	25.00	24.00	24.00		23	2- -3
21.00	24.00	23.00	23.00		22	2- -2
20.00	23.00	22.00	22.00		21	2- -1
19.00	22.00	21.00	21.00	20	2- -0	
18.00	21.00	20.00	20.00	19	1- -9	
17.00	20.00	19.00	19.00	18	1- -8	
16.00	19.00	18.00	18.00	17	1- -7	
15.00	18.00	17.00	17.00	16	1- -6	
14.00	17.00	16.00	16.00	15	1- -5	
13.00	16.00	15.00	15.00	14	1- -4	
12.00	15.00	14.00	14.00	13	1- -3	
11.00	14.00	13.00	13.00	12	1- -2	
10.00	13.00	12.00	12.00	11	1- -1	
9.00	12.00	11.00	11.00	10	1- -0	
8.00	11.00	10.00	10.00	8.0	9	-9
7.00	10.00	9.00	9.00		8	-8
6.00	9.00	8.00	8.00		7	-7
5.00	8.00	7.00	7.00	5.0	6	-6
4.00	7.00	6.00	6.00		5	-5
3.00	6.00	5.00	5.00		4	1735042-4

RECOMMENDED PCB LAYOUT
 (NON-ACCUMULATIVE TOLERANCE)
 (FOR EVEN POSITION CONNECTORS)

RECOMMENDED PCB LAYOUT
 (FOR ODD POSITION CONNECTORS)

THIS DRAWING IS A CONTROLLED DOCUMENT FOR AMP INCORPORATED. IT IS SUBJECT TO CHANGE AND THE CONTROLLING ENGINEERING ORGANIZATION SHOULD BE CONTACTED FOR THE LATEST REVISION.		DWN WYLEE 25JUN04	Tyco Electronics Corporation Singapore	
DIMENSIONS: mm		CHK LP TAN	NAME ON TAPING (EMBOSS)	
TOLERANCES UNLESS OTHERWISE SPECIFIED: 0 PLC ±0.3 1 PLC ±0.3 2 PLC ±0.3 3 PLC ±0.3 4 PLC ±0.3 ANGLES ±3°		APVD SF LEONG	ASSY, 1.00mm FFC CONN. WITH KAPTON TAPE	
MATERIAL 1		PRODUCT SPEC 108-51054	SMT, V, (NON-ZIF)	
FINISH 2		APPLICATION SPEC -	SIZE A3	CAGE CODE 00779
		WEIGHT -	DRAWING NO C-1735042	
		CUSTOMER DRAWING	SCALE 2:1	SHEET 1 OF 1 REV L