

THIS DRAWING IS UNPUBLISHED.

RELEASED FOR PUBLICATION

REVISIONS

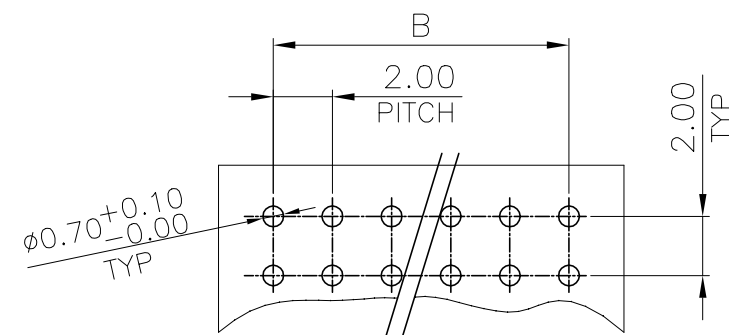
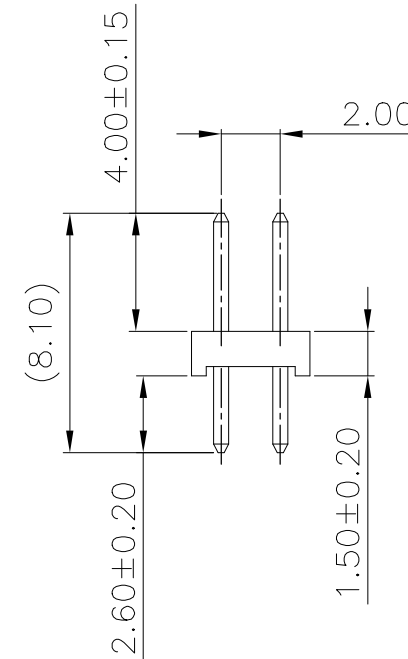
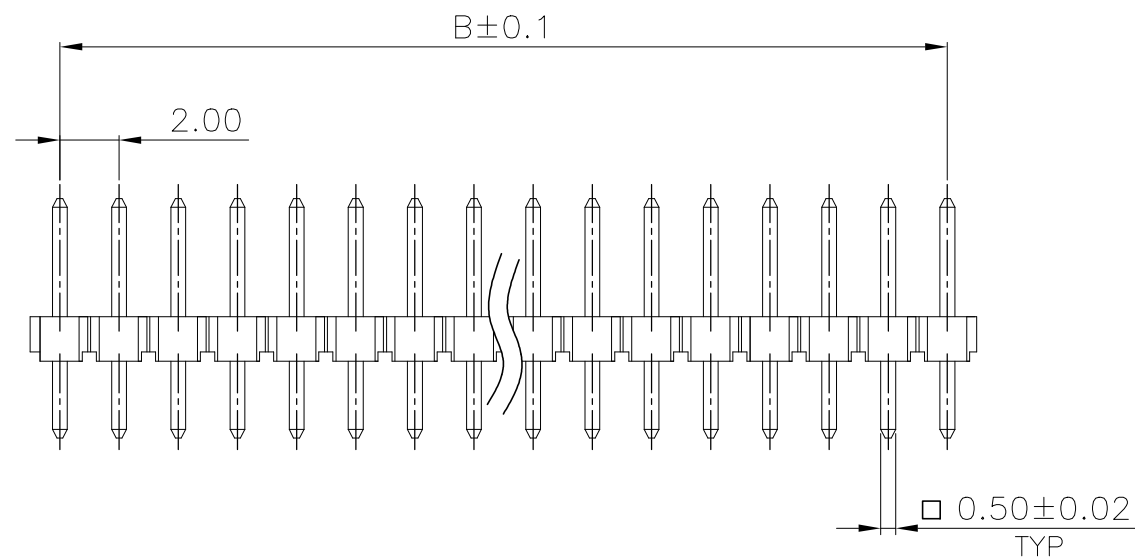
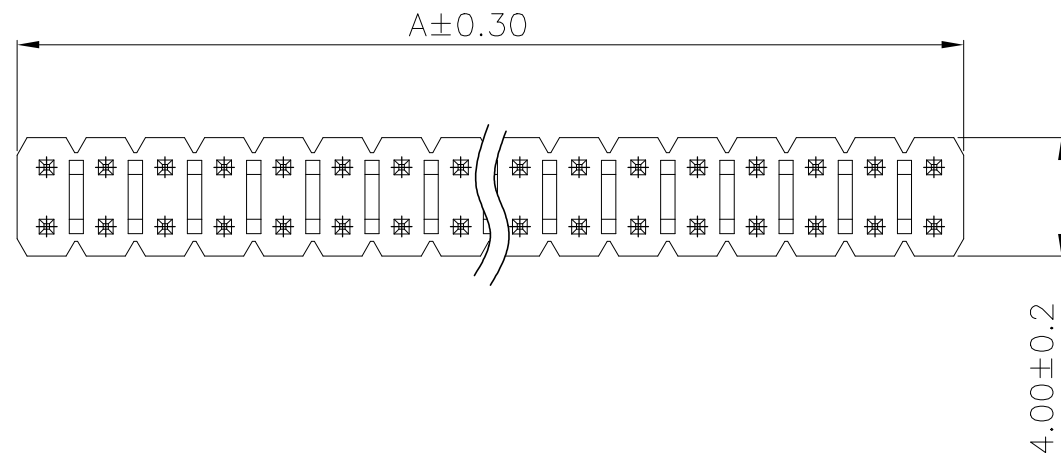
© COPYRIGHT - TE Connectivity Ltd.

ALL RIGHTS RESERVED.

P	LTR	DESCRIPTION	DATE	DWN	APVD
	C3	OBSOLETE 9-1734508-2 AND 9-1734508-4	18OCT19	AY	PS

NOTE :

- MATERIAL :
HOUSING : PA6T WITH 30% GF, UL94V-0, BLACK COLOR.
CONTACT : BRASS.
- FINISH :
CONTACT: 0.2um [8μ"] MIN. GOLD PLATED ON CONTACT AREA
2.54um [100μ"] MIN. MATTE TIN PLATED ON SOLDER TAIL,
1.27um [50μ"] MIN. NICKEL UNDERPLATED OVER ALL
- APPLICATION :
SOLDERTAIL LENGTH 2.6 FOR PCB THICKNESS 1.6±0.1
- WAVE SOLDER CAPABLE TO 265°C PER TE SPEC 109-202, CONDITION B.



RECOMMENDED PCB LAYOUT
TOLERANCE: ±0.05; THICKNESS: 1.0~1.6MM

2	10.00	8.00	10	1-	-1
80.00	78.00	80	8-	-0	
78.00	76.00	78	7-	-8	
76.00	74.00	76	7-	-6	
74.00	72.00	74	7-	-4	
72.00	70.00	72	7-	-2	
70.00	68.00	70	7-	-0	
68.00	66.00	68	6-	-8	
66.00	64.00	66	6-	-6	
64.00	62.00	64	6-	-4	
62.00	60.00	62	6-	-2	
60.00	58.00	60	6-	-0	
58.00	56.00	58	5-	-8	
56.00	54.00	56	5-	-6	
54.00	52.00	54	5-	-4	
52.00	50.00	52	5-	-2	
50.00	48.00	50	5-	-0	
48.00	46.00	48	4-	-8	
46.00	44.00	46	4-	-6	
44.00	42.00	44	4-	-4	
42.00	40.00	42	4-	-2	
40.00	38.00	40	4-	-0	
38.00	36.00	38	3-	-8	
36.00	34.00	36	3-	-6	
34.00	32.00	34	3-	-4	
32.00	30.00	32	3-	-2	
30.00	28.00	30	3-	-0	
28.00	26.00	28	2-	-8	
26.00	24.00	26	2-	-6	
24.00	22.00	24	2-	-4	
22.00	20.00	22	2-	-2	
20.00	18.00	20	2-	-0	
18.00	16.00	18	1-	-8	
16.00	14.00	16	1-	-6	
14.00	12.00	14	1-	-4	
12.00	10.00	12	1-	-2	
10.00	8.00	10	1-	-0	
8.00	6.00	8		-8	
6.00	4.00	6		-6	
4.00	2.00	4			1734508-4
KEYING POS.	A	B	POSITION NUMBER	PART NUMBER	

THIS DRAWING IS A CONTROLLED DOCUMENT.

DWN S. CHIEN 02DEC2008

CHK S. CHIEN 02DEC2008

APVD W. KODAMA 02DEC2008

PRODUCT SPEC

108-57197

APPLICATION SPEC

WEIGHT -

CUSTOMER DRAWING

TE TE Connectivity Ltd.

NAME
AMPMODU 2.0mm PITCH POST HDR,
VERTICAL, MOUNT TYPE

SIZE CAGE CODE DRAWING NO RESTRICTED TO

A3 00779 C-1734508

SCALE 1:1 SHEET 2 OF 4 REV C3

DIMENSIONS:	TOLERANCES UNLESS OTHERWISE SPECIFIED:
mm	
0 PLC	± 0.5
1 PLC	± 0.2
2 PLC	± 0.1
3 PLC	± 0.05
4 PLC	± -
ANGLES	± 3

MATERIAL SEE NOTES

FINISH SEE NOTES

4

3

2

1

THIS DRAWING IS UNPUBLISHED.

RELEASED FOR PUBLICATION

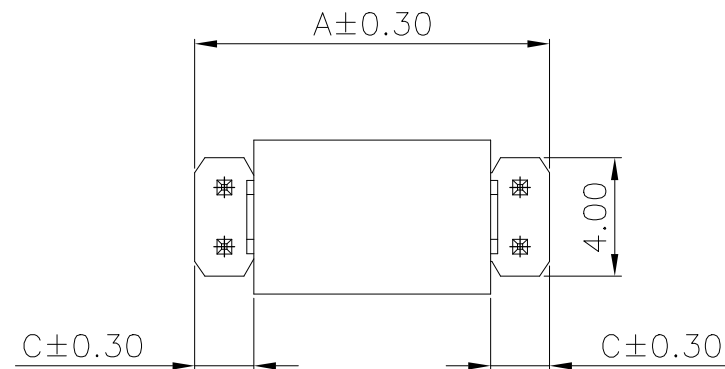
-,-

REVISIONS

© COPYRIGHT - TE Connectivity Ltd.

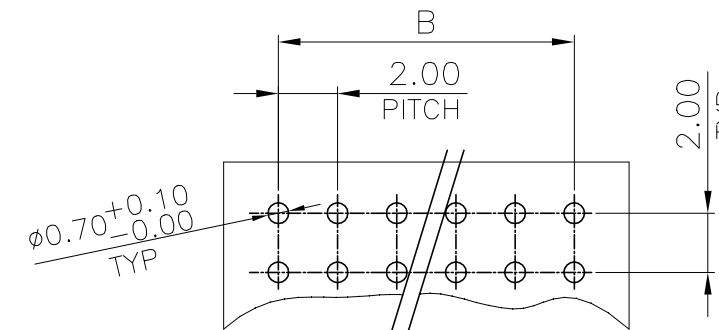
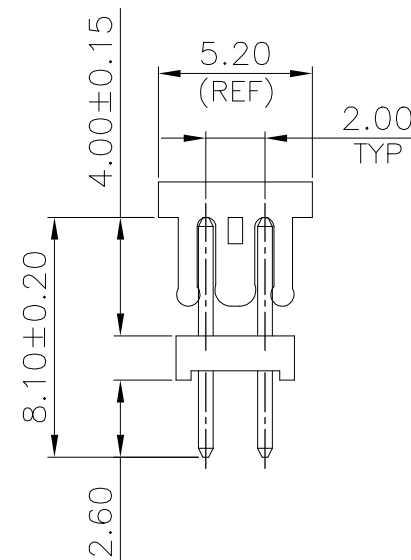
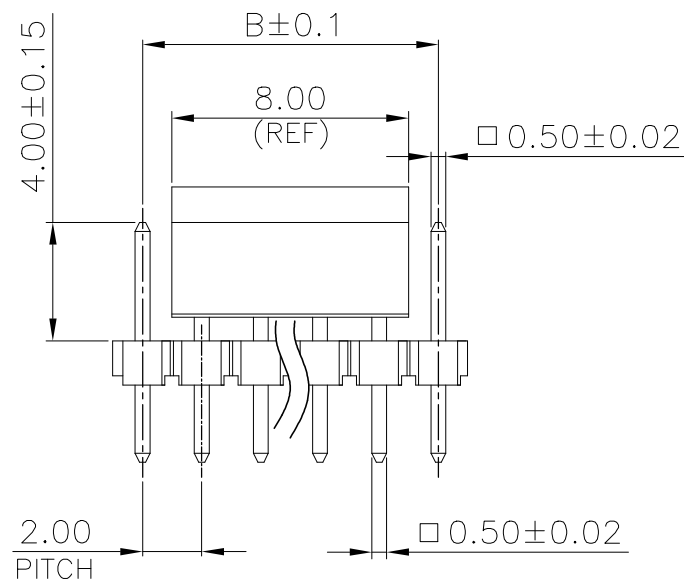
ALL RIGHTS RESERVED.

P	LTR	DESCRIPTION	DATE	DWN	APVD
-	-	SEE SHEET 1	-	-	-



NOTE:

- MATERIAL:
HOUSING: PA6T WITH 30% GF, UL 94V-0, BLACK COLOR.
CAP: LCP WITH 30% GF, UL 94V-0. BLACK COLOR.
CONTACT: BRASS.
- FINISH :
CONTACT:
 $0.0254\mu\text{m}$ [10u"] MIN. GOLD PLATED ON CONTACT AREA
 $2.54\mu\text{m}$ [100u"] MIN. MATTE-TIN PLATED ON SOLDER TAIL,
 $1.27\mu\text{m}$ [50u"] MIN. NICKEL UNDERPLATED OVER ALL
- WAVE SOLDER CAPABLE TO 265°C PER TEST SPEC 109-202, CONDITION B.



OBSOLETE	3.00	14.00	12.00	14	9-1734508-4
OBSOLETE	2.00	12.00	10.00	12	9-1734508-2
	C	A	B	POSITION NUMBER	PART NUMBER
DIMENSIONS					

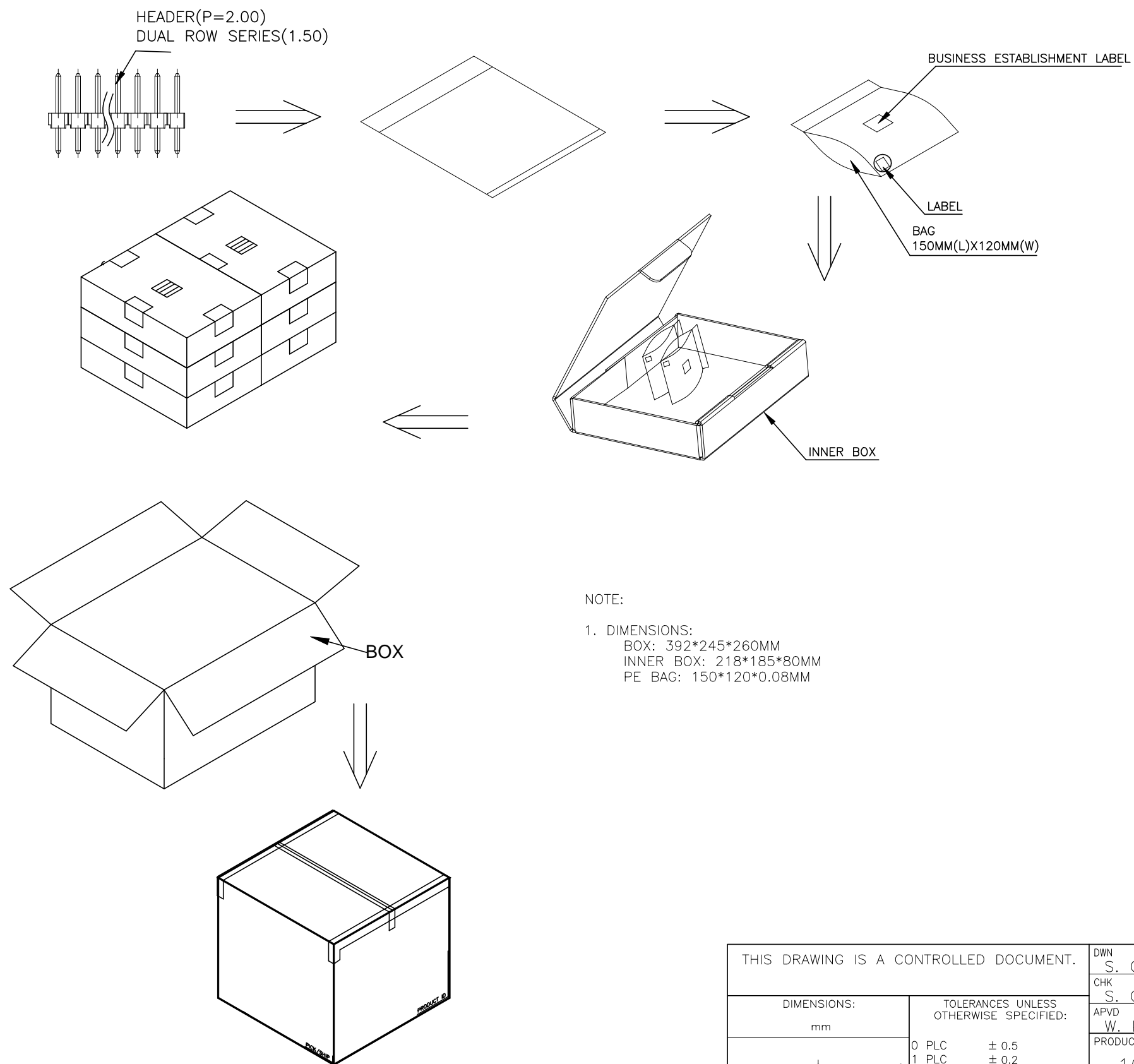
THIS DRAWING IS A CONTROLLED DOCUMENT.		DWN S. CHIEN	02DEC2008	TE Connectivity Ltd. NAME AMPMODU 2.0mm PITCH POST HDR, VERTICAL, MOUNT TYPE	
DIMENSIONS: mm		CHK S. CHIEN	02DEC2008		
		APVD W. KODAMA	02DEC2008		
TOLERANCES UNLESS OTHERWISE SPECIFIED:		PRODUCT SPEC 108-57197			
0 PLC ± 0.5 1 PLC ± 0.2 2 PLC ± 0.1 3 PLC ± 0.05 4 PLC $\pm -$ ANGLES ± 3		APPLICATION SPEC -		SIZE	A3
MATERIAL SEE NOTES		FINISH SEE NOTES		WEIGHT	-
		CUSTOMER DRAWING		SCALE	1:1
				SHEET	1 of 4
				REV	C3

THIS DRAWING IS UNPUBLISHED. RELEASED FOR PUBLICATION
 © COPYRIGHT - TE Connectivity Ltd. ALL RIGHTS RESERVED.

REVISIONS					
P	LTR	DESCRIPTION	DATE	DWN	APVD
-	-	SEE SHEET 1	-	-	-


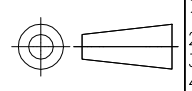
D
C
B
A

D
C
B
A



NOTE:
 1. DIMENSIONS:
 BOX: 392*245*260MM
 INNER BOX: 218*185*80MM
 PE BAG: 150*120*0.08MM

KG	KG	PCS			PCS	
6.90	5.52	500	8	6	24000	10
5.786	4.406	50	8	6	2400	80
5.676	4.296	50	8	6	2400	78
5.565	4.185	50	8	6	2400	76
5.433	4.053	50	8	6	2400	74
5.344	3.964	50	8	6	2400	72
5.236	3.856	50	8	6	2400	70
5.126	3.746	50	8	6	2400	68
5.74	4.36	60	8	6	2880	66
5.61	4.23	60	8	6	2880	64
5.478	4.098	60	8	6	2880	62
6.006	4.626	70	8	6	3360	60
5.852	4.472	70	8	6	3360	58
7.548	6.168	100	8	6	4800	56
7.33	5.947	100	8	6	4800	54
7.106	5.726	100	8	6	4800	52
6.89	5.51	100	8	6	4800	50
6.669	5.289	100	8	6	4800	48
6.448	5.068	100	8	6	4800	46
6.228	4.848	100	8	6	4800	44
6.007	4.627	100	8	6	4800	42
5.786	4.406	100	8	6	4800	40
5.565	4.185	100	8	6	4800	38
5.344	3.964	100	8	6	4800	36
5.124	3.744	100	8	6	4800	34
4.903	3.523	100	8	6	4800	32
4.687	3.307	100	8	6	4800	30
4.466	3.086	100	8	6	4800	28
5.678	4.298	150	8	6	7200	26
5.35	3.97	150	8	6	7200	24
6.23	4.85	200	8	6	9600	22
5.79	4.41	200	8	6	9600	20
6.35	4.97	250	8	6	12000	18
5.78	4.40	250	8	6	12000	16
6.00	4.62	300	8	6	14400	14
5.34	3.96	300	8	6	14400	12
6.90	5.52	500	8	6	24000	10
5.80	4.42	500	8	6	24000	8
6.68	5.30	800	8	6	38400	6
5.79	4.41	1000	8	6	48000	4
GROSS WEIGHT	NET WEIGHT	PCS/BAG	BAGS /INNER CARTON	INNER CARTON /CARTON	QUANTITY	NO. OF POSTS

THIS DRAWING IS A CONTROLLED DOCUMENT.		DWN	S. CHIEN	02DEC2008	 TE Connectivity Ltd.
DIMENSIONS: mm		CHK	S. CHIEN	02DEC2008	
		APVD	W. KODAMA	02DEC2008	
TOLERANCES UNLESS OTHERWISE SPECIFIED:		PRODUCT SPEC		NAME	
0 PLC ± 0.5 1 PLC ± 0.2 2 PLC ± 0.1 3 PLC ± 0.05 4 PLC ± - ANGLES ± 3		APPLICATION SPEC		108-57197	AMPMODU 2.0mm PITCH POST HDR, VERTICAL, MOUNT TYPE
MATERIAL SEE NOTES		FINISH SEE NOTES		WEIGHT -	RESTRICTED TO -
		CUSTOMER DRAWING		SCALE 1:1	SHEET 3 OF 4
				DRAWING NO. A300779	REV C3
				C=1734508	

THIS DRAWING IS UNPUBLISHED.

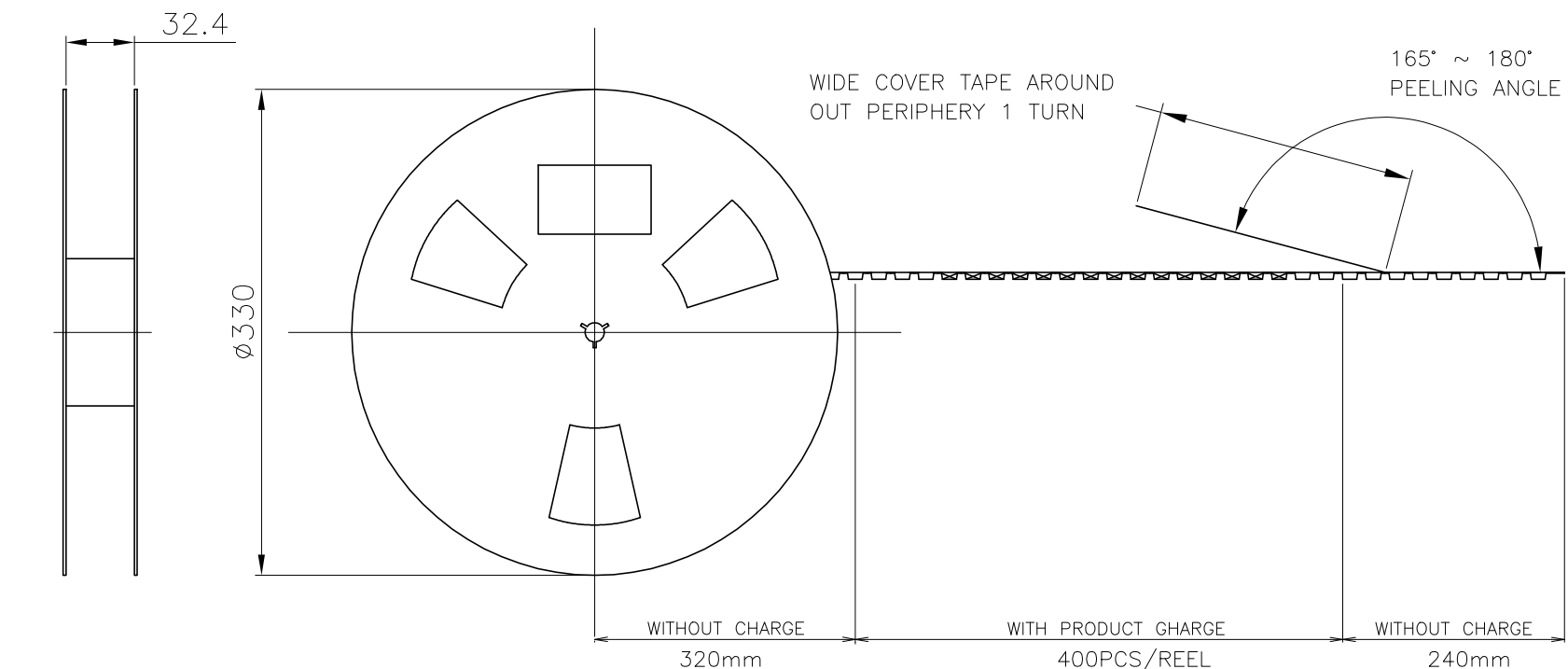
RELEASED FOR PUBLICATION

© COPYRIGHT - TE Connectivity Ltd.

ALL RIGHTS RESERVED.

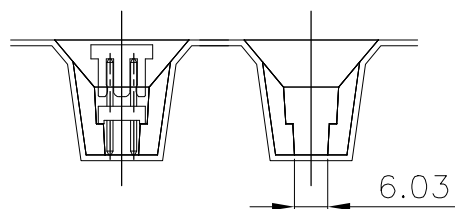
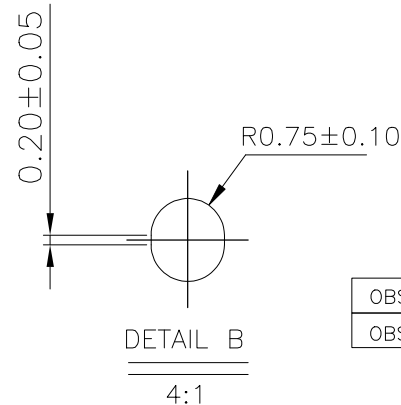
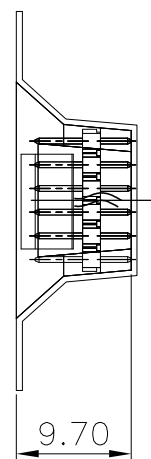
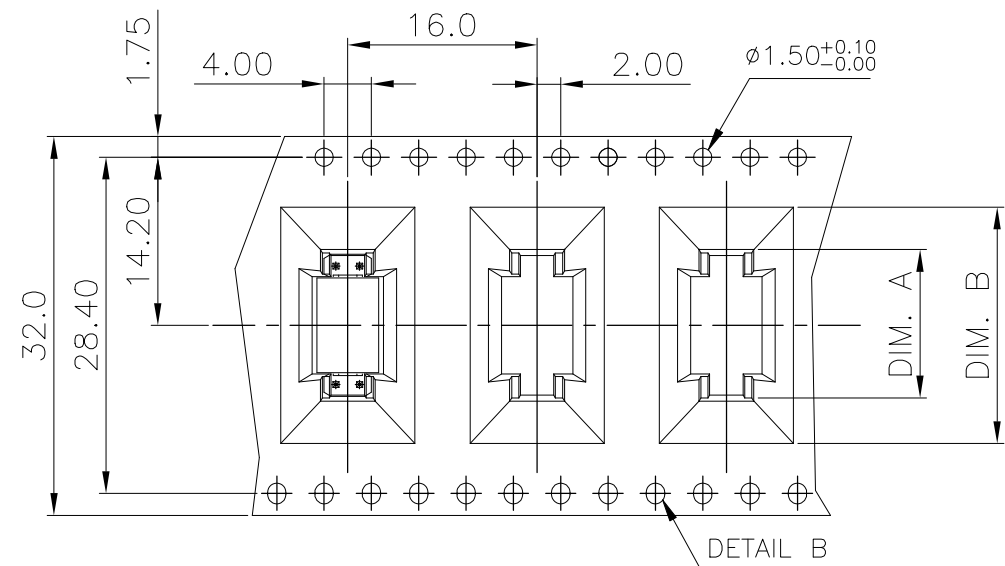
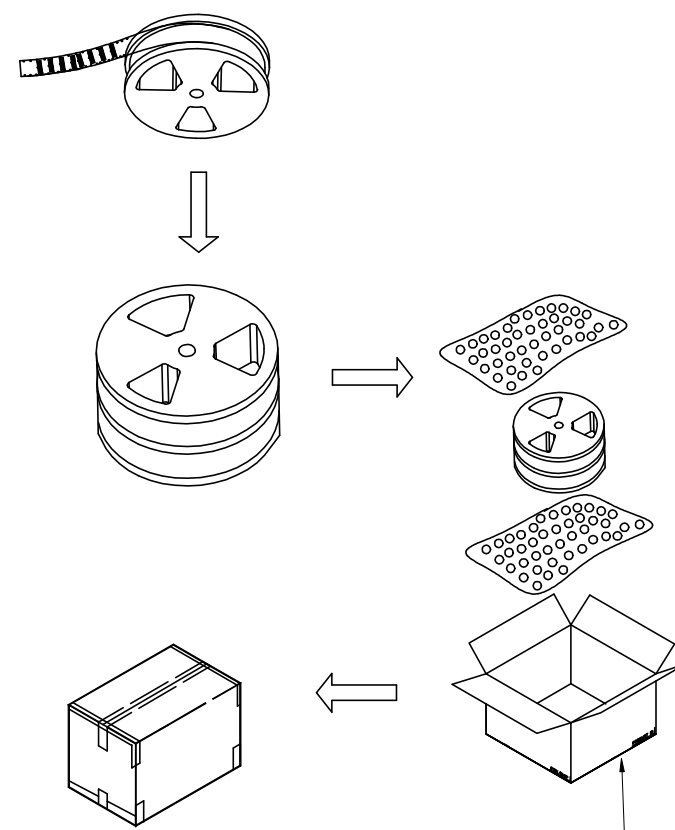
REVISIONS

P	LTR	DESCRIPTION	DATE	DWN	APVD
-	-	SEE SHEET 1	-	-	-



NOTES :

- MATERIAL :
COVER TAPE : PT+ABS, COLOR: TRANSPARENT
CARRIER TAPE : PS
REEL : PS
SHIPPING BOX: CORRUGATED FIBER
- PEELING RESISTANCE : 10gf~130gf (for 12mm~56mm)
- PEELING SPEED : 300mm/MINUTES



	DIM. B	DIM. A	GROSS WEIGHT	NET WEIGHT	PCS/ BOX	PCS/ REEL	POS	PART NO.
OBSOLETE	22.00	14.80	3.70KG	1.03KG	2000	400	14	9-1734508-4
OBSOLETE	20.00	12.80	3.51KG	0.94KG	2000	400	12	9-1734508-2

THIS DRAWING IS A CONTROLLED DOCUMENT.		DWN S. CHIEN 02DEC2008	TE Connectivity Ltd.	
DIMENSIONS: mm		CHK S. CHIEN 02DEC2008		
TOLERANCES UNLESS OTHERWISE SPECIFIED:		APVD W. KODAMA 02DEC2008	NAME	
0 PLC ± 0.5		PRODUCT SPEC	AMPMODU 2.0mm PITCH POST HDR, VERTICAL, MOUNT TYPE	
1 PLC ± 0.2		108-57197	-	
2 PLC ± 0.1		APPLICATION SPEC	-	
3 PLC ± 0.05		-	SIZE	CAGE CODE
4 PLC ± -		WEIGHT	A3	00779
ANGLES ± 3		CUSTOMER DRAWING	DRAWING NO	C-1734508
FINISH		SCALE	RESTRICTED TO	
SEE NOTES		1:1	-	
		SHEET	REV	
		4 of 4	C3	