

LED ELECTRICAL CHARACTERISTIC			
LED #	NODE	SYMBOL	
LED 1	9(+)	10(-)	9 $\rightarrow$ 10
LED 2	11(+)	12(-)	11 $\rightarrow$ 12

OBSOLETE	4.86	WITH	YELLOW	GREEN	A	A	A	3-1734255-1
	4.83	W/O	YELLOW	GREEN		B	A	<del>2-1734255-8</del>
			YELLOW	GREEN		B	B	<del>2-1734255-7</del>
			YELLOW	GREEN		A	A	<del>2-1734255-6</del>
			YELLOW	GREEN	A	A	<del>2-1734255-5</del>	
4.87		GREEN	YELLOW		B	A	<del>2-1734255-4</del>	
OBSOLETE	4.83		GREEN	YELLOW		B	B	<del>2-1734255-3</del>
	4.87	WITH	GREEN	YELLOW	A	A	A	<del>2-1734255-2</del>
			GREEN	YELLOW	A	A	2-1734255-1	
			GREEN	YELLOW	B	B	<del>1-1734255-9</del>	
			YELLOW	GREEN	B	A	<del>1-1734255-8</del>	
4.79		YELLOW	GREEN		B	B	<del>1-1734255-7</del>	
OBSOLETE	4.83		YELLOW	GREEN		A	A	<del>1-1734255-6</del>
	4.87	WITH	YELLOW	GREEN	A	A	A	<del>1-1734255-5</del>
			GREEN	YELLOW		B	A	<del>1-1734255-4</del>
			GREEN	YELLOW		B	B	<del>1-1734255-3</del>
			GREEN	YELLOW	A	A	<del>1-1734255-2</del>	
4.83		GREEN	YELLOW	A	A	1-1734225-1		
WEIGHT (gram)	PANEL GROUND	LED1	LED2	6P6C	6P4C	6P2C	8P8C	PART NUMBER
		LED LIGHT			RJ11		RJ45	

THIS DRAWING IS A CONTROLLED DOCUMENT.

DIMENSIONS: mm

TOLERANCES UNLESS OTHERWISE SPECIFIED:  
 0 PLC ± -  
 1 PLC ± 0.3  
 2 PLC ± 0.2  
 3 PLC ± 0.15  
 4 PLC ± - ± 3'

MATERIAL SEE NOTE

FINISH SEE NOTE

DWN O. HU 18NOV2005  
 CHK S. HOU 18NOV2005  
 APVD W.J. KE 18NOV2005  
 PRODUCT SPEC 108-57535  
 APPLICATION SPEC

STE TE Connectivity

NAME MODULAR JACK CONNECTOR  
 COMBO RJ45+RJ11 ASSY, SIDE BY SIDE,  
 TAB UP, DIP TYPE, H=11.06mm

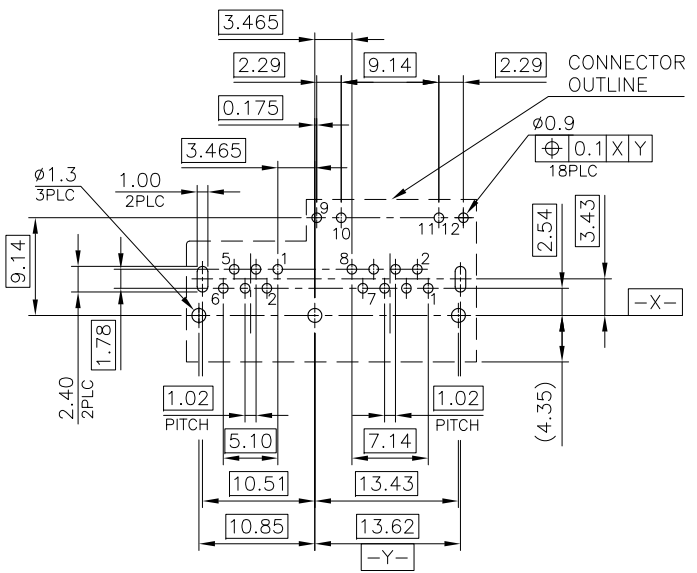
SIZE A3 CAGE CODE 00779 DRAWING NO. C=1734255 RESTRICTED TO

WEIGHT SEE TABLE

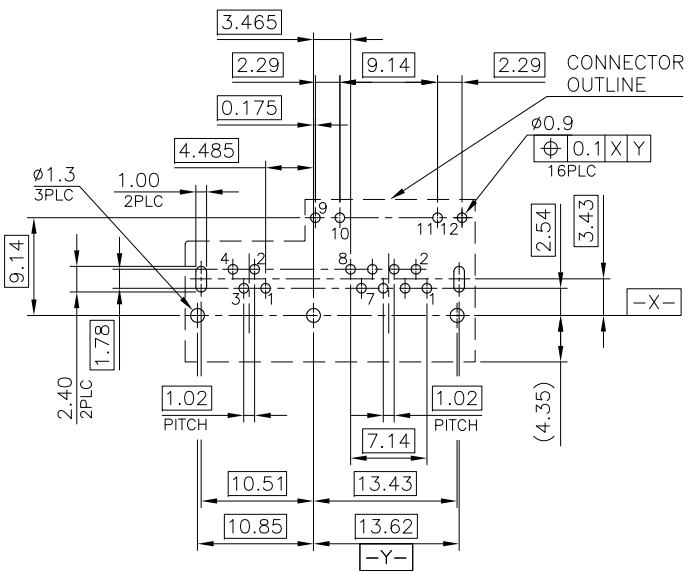
CUSTOMER DRAWING SCALE SHEET 1 OF 3 REV A3

THIS DRAWING IS UNPUBLISHED. RELEASED FOR PUBLICATION  
 © COPYRIGHT 2010 BY TYCO ELECTRONICS CORPORATION. ALL RIGHTS RESERVED.

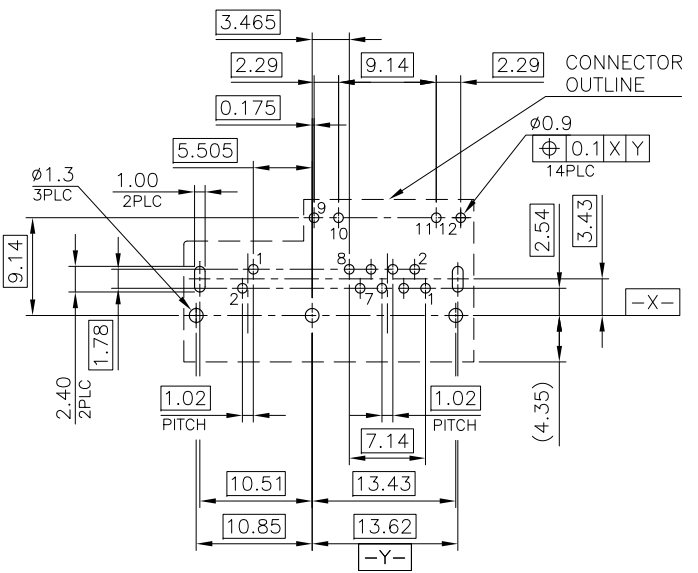
LOC	DIST	REVISIONS					
DW		P	LTR	DESCRIPTION	DATE	DWN	APVD
		SEE SHEET 1.					



RECOMMENDED PCB LAYOUT  
 RECOMMENDED PCB THICKNESS: 1.6mm.  
 TOLERANCE: ±0.05 (TOP VIEW)  
 FOR RJ45-8P8C RJ11-6P6C



RECOMMENDED PCB LAYOUT  
 RECOMMENDED PCB THICKNESS: 1.6mm.  
 TOLERANCE: ±0.05 (TOP VIEW)  
 FOR RJ45-8P8C RJ11-6P4C



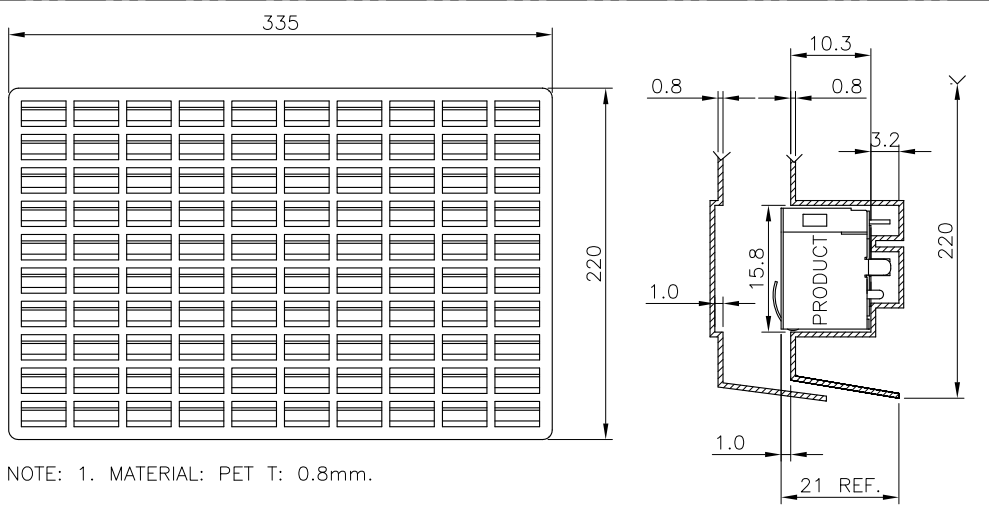
RECOMMENDED PCB LAYOUT  
 RECOMMENDED PCB THICKNESS: 1.6mm.  
 TOLERANCE: ±0.05 (TOP VIEW)  
 FOR RJ45-8P8C RJ11-6P2C

- NOTE:
- MATERIAL:
    - HOUSING: PA46, WITH 30% GF, UL94 V-0, BLACK COLOR.
    - INSERT HOUSING: PA46, WITH 30% GF, UL94 V-0, BLACK COLOR.
    - CONTACTS: PHOSPHOR BRONZE.
    - SHELL: BRASS.
    - LED SOLDER TAIL: EPOXY, STEEL.
  - FINISH:
    - CONTACTS:
      - 0.381um [15u"] MIN. GOLD PLATED ON CONTACT AREA. GOLD FLASH ON SOLDER TAIL.
      - 1.27um [50u"] MIN. NICKEL. UNDERPLATED OVERALL.
    - CONTACTS: 1.27um [50u"] MIN. GOLD PLATED ON CONTACT AREA. GOLD FLASH ON SOLDER TAIL.
    - CONTACTS: 1.27um [50u"] MIN. NICKEL. UNDERPLATED OVERALL.
    - SHELL: 0.508um [20u"] MIN. NICKEL PLATED OVERALL.
    - LED: 1.02um [40u"] COPPER UNDERPLATED OVERALL.
      - 1.27um [50u"] NICKEL OVERALL.
      - 1.27um [50u"] SILVER ON BONDING AREA.
      - 2.54um [100u"] BRIGHT-TIN ON SOLDER AREA.
  - WAVE SOLDER CAPABLE TO 265°C PER TE SPEC 109-202, CONDITION B.

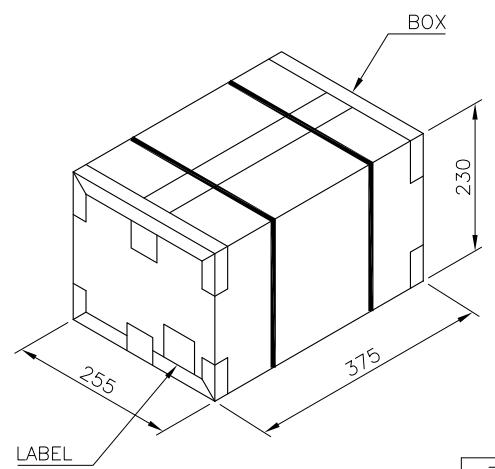
THIS DRAWING IS A CONTROLLED DOCUMENT.		DWN	-														
DIMENSIONS: mm		CHK	-														
TOLERANCES UNLESS OTHERWISE SPECIFIED:		APVD	-														
<table border="0"> <tr><td>0 PLC</td><td>± -</td></tr> <tr><td>1 PLC</td><td>± 0.3</td></tr> <tr><td>2 PLC</td><td>± 0.2</td></tr> <tr><td>3 PLC</td><td>± 0.15</td></tr> <tr><td>4 PLC</td><td>± -</td></tr> <tr><td>ANGLES</td><td>± 3'</td></tr> </table>		0 PLC	± -	1 PLC	± 0.3	2 PLC	± 0.2	3 PLC	± 0.15	4 PLC	± -	ANGLES	± 3'	PRODUCT SPEC	-		
0 PLC	± -																
1 PLC	± 0.3																
2 PLC	± 0.2																
3 PLC	± 0.15																
4 PLC	± -																
ANGLES	± 3'																
MATERIAL		APPLICATION SPEC	-														
FINISH		WEIGHT	-														
		CUSTOMER DRAWING	-														
		SCALE	-														
		SHEET	2 of 3														
		REV	A3														
		NAME	MODULAR JACK CONNECTOR COMBO RJ45+RJ11 ASSY, SIDE BY SIDE, TAB UP, DIP TYPE, H=11.06mm														
		SIZE	CAGE CODE	DRAWING NO	RESTRICTED TO												
		A3	00779	C=1734255	-												

THIS DRAWING IS UNPUBLISHED. RELEASED FOR PUBLICATION  
 © COPYRIGHT 2010 BY TYCO ELECTRONICS CORPORATION. ALL RIGHTS RESERVED.

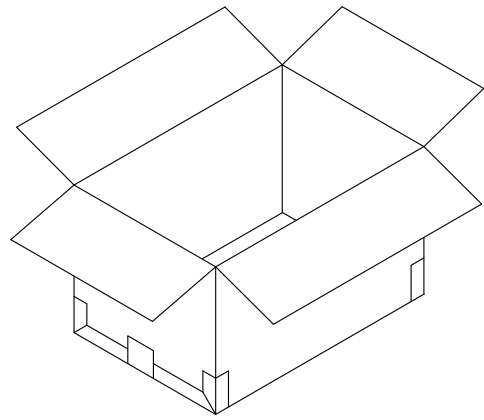
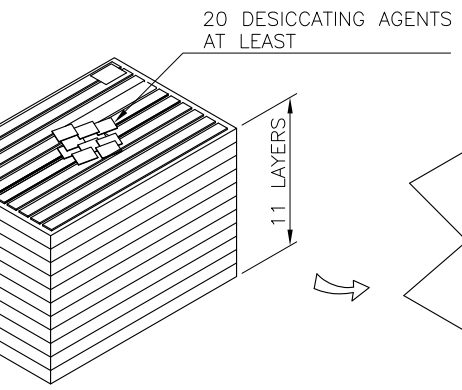
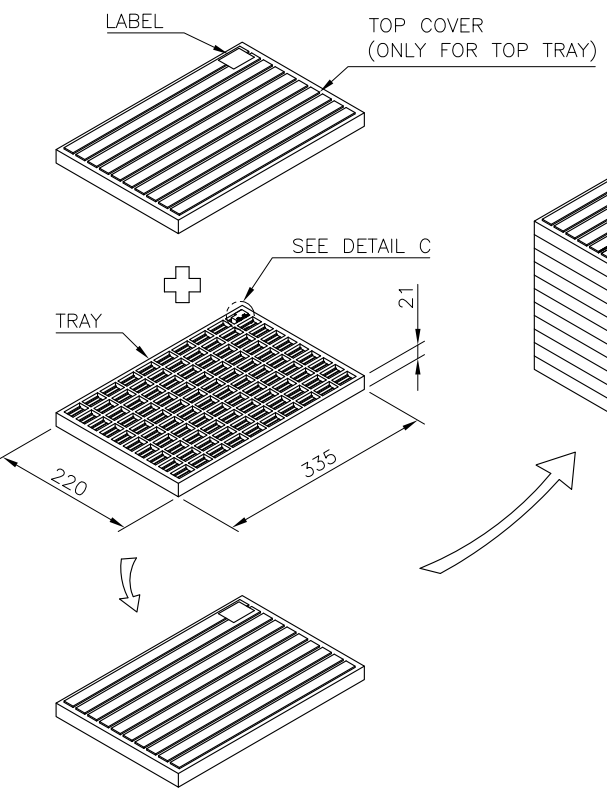
LOC DW	DIST	REVISIONS			
P	LTR	DESCRIPTION	DATE	DWN	APVD
		SEE SHEET 1.			



NOTE: 1. MATERIAL: PET T: 0.8mm.



NOTE:  
 1. MATERIAL:  
 3.1 TRAY & TOP COVER: PET.  
 3.2 BOX: CORRUGATED PAPER.  
 2. EACH BOX SHALL BE INCLUDED:  
 \* DESICCANT



7.50	5.35				3-1734255-1
					<del>2-1734255-8</del>
7.46	5.31				<del>2-1734255-7</del>
					<del>2-1734255-6</del>
7.51	5.36				<del>2-1734255-5</del>
					<del>2-1734255-4</del>
7.46	5.31				<del>2-1734255-3</del>
					<del>2-1734255-2</del>
7.51	5.36	100	11	1100	2-1734255-1
7.50	5.35				<del>1-1734255-9</del>
					<del>1-1734255-8</del>
7.42	5.27				<del>1-1734255-7</del>
					<del>1-1734255-6</del>
7.46	5.31				<del>1-1734255-5</del>
					<del>1-1734255-4</del>
7.42	5.27				<del>1-1734255-3</del>
					<del>1-1734255-2</del>
7.46	5.31				1-1734225-1
GROSS WEIGHT	NET WEIGHT	PCS/TRAY	TRAY/BOX	PCS/BOX	PART NUMBER

THIS DRAWING IS A CONTROLLED DOCUMENT.

DIMENSIONS: mm	TOLERANCES UNLESS OTHERWISE SPECIFIED: 0 PLC ± 1 PLC ±0.3 2 PLC ±0.2 3 PLC ±0.15 4 PLC ANGLES ± 3'	DWN	TE Connectivity
MATERIAL	FINISH	CHK	NAME
		APVD	MODULAR JACK CONNECTOR COMBO RJ45+RJ11 ASSY, SIDE BY SIDE, TAB UP, DIP TYPE, H=11.06mm
		PRODUCT SPEC	SIZE CAGE CODE DRAWING NO RESTRICTED TO
		APPLICATION SPEC	A3 00779 C=1734255
		WEIGHT	CUSTOMER DRAWING SCALE SHEET 3 of 3 REV A3