

4

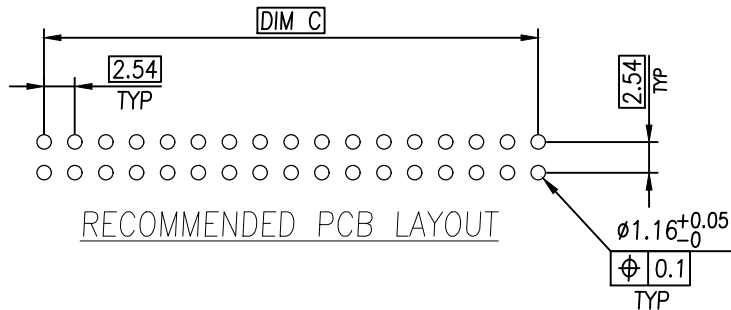
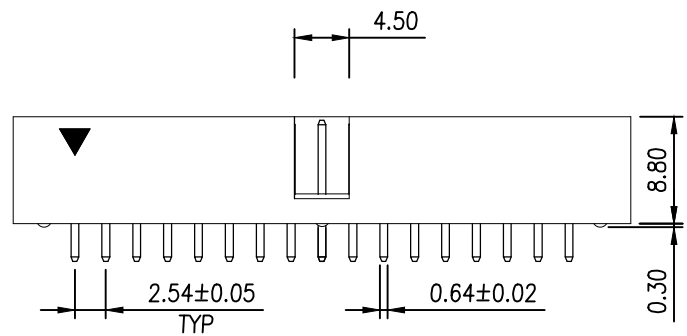
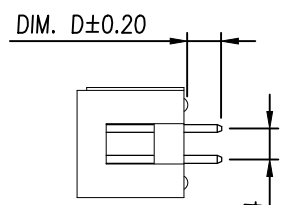
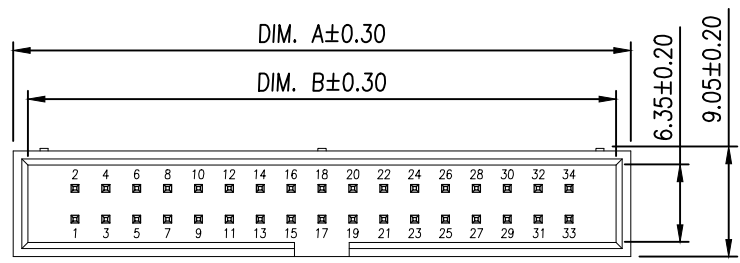
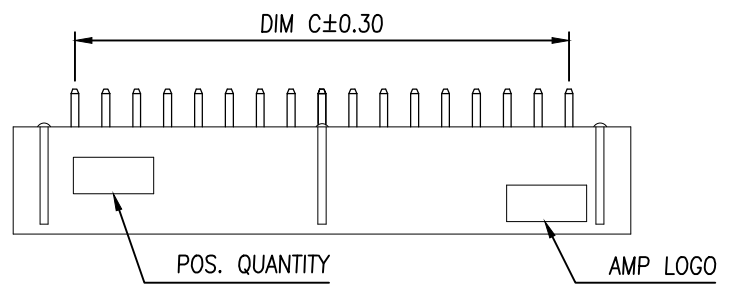
3

2

1

THIS DRAWING IS UNPUBLISHED. RELEASED FOR PUBLICATION  
 © COPYRIGHT - BY TYCO ELECTRONICS CORPORATION. ALL RIGHTS RESERVED.

LOC	DIST	REVISIONS						
		P	LTR	DESCRIPTION	DATE	DWN	APVD	
DW	-		A2	RESIN UPDATED	ECO-18-006113	20-JUN-18	K.G	WK.H



- NOTES:
- MATERIAL:**  
HOUSING: THERMOPLASTIC(NY 66), COLOR: SEE TABLE.  
CONTACT: BRASS
  - FINISH:**  
CONTACT: GOLD FLASH ALL OVER  
NICKEL 1.27um[50u"] MIN. UNDERPLATED OVERALL.
  - SPECIFICATIONS:**  
CURRENT RATING: 1AMP DC MAX.  
CONTACT RESISTANCE: 20 MILLIOHMS MAX AT DC 1A.  
INSULATOR RESISTANCE: 1000 MEGAOHMS MIN, AT 500V DC.  
DIELECTRIC WITHSTANDING: AC 500V FOR 1 MINUTE.
  - MECHANICAL:**  
OPERATING TEMPERATURE: -55°C TO +105°C.
  - APPLICATION:**  
BOX HEADER BODY HELPS MAXIMUM PACKAGING DENSITY.  
AVAILABLE WITH WRAP POST TAIL HEADER.  
AVAILABLE IN STRAIGHT OR RIGHT ANGLE PIN.
  - WAVE SOLDER CAPABLE TO 265°C**  
PER TYCO SPEC. 109-202, CONDITION B.
- ⚠️ OBSOLETE PARTS: OBSOLETE CIS STREAMLINING PER D.RENAUD/D.SINISI

3.10	48.26	56.20	58.40	#20	BLUE	40	2-1734162-2
	48.26	56.20	58.40	#20	BLACK	40	2-1734162-1
	15.24	23.18	25.40		BLACK	14	1-1734162-5
	48.26	56.20	58.40		BLUE	40	1-1734162-4
	48.26	56.20	58.40		BLACK	40	1-1734162-3
	40.64	48.58	50.80		BLACK	34	1-1734162-2
2.40	10.16	18.10	20.32		BLACK	10	1-1734162-1
	48.26	56.20	58.40	#20	BLACK	40	1734162-5
	48.26	56.20	58.40	#20	BLUE	40	1734162-4
	40.64	48.58	50.80	#5	BLUE	34	1734162-3
2.80	48.26	56.20	58.40	#20	BLACK	40	1734162-2
	40.64	48.58	50.80	#5	BLACK	34	1734162-1
	40.64	48.58	50.80	#5	BLACK	34	1734162-1

THIS DRAWING IS A CONTROLLED DOCUMENT.

DWN J. LEE	10APR2007		Tyco Holdings (Bermuda)		
CHK S. HOU	10APR2007		VII Ltd. Taiwan Branch		
APVD W.J. KE	10APR2007		NAME		
PRODUCT SPEC 108-57566			BOX HEADER 2.54 PITCH V/T, DIP		
APPLICATION SPEC 501-57655		SIZE A3	CAGE CODE 00779	DRAWING NO C=1734162	RESTRICTED TO -
MATERIAL -		WEIGHT -		CUSTOMER DRAWING	SCALE -

FINISH: 0 PLC ± -, 1 PLC ± 0.5, 2 PLC ± 0.3, 3 PLC ± 0.1, 4 PLC ± -, ANGLES ± 1°

CUSTOMER DRAWING SCALE - SHEET 1 OF 2 REV A2

4

3

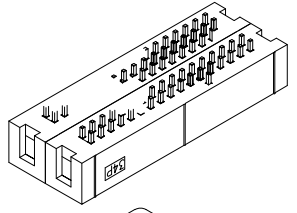
2

1

THIS DRAWING IS UNPUBLISHED. RELEASED FOR PUBLICATION  
 © COPYRIGHT BY TYCO ELECTRONICS CORPORATION. ALL RIGHTS RESERVED.

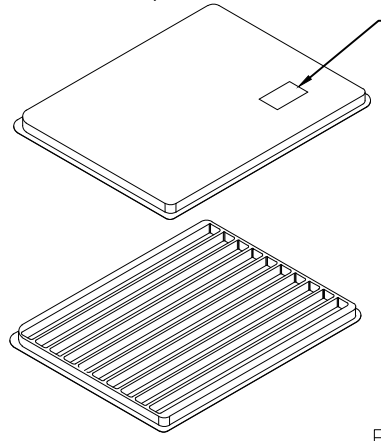
LOC	DIST	REVISIONS				
P	LTR	DESCRIPTION	DATE	DWN	APVD	
DW	-	SEE SHEET 1.				

①



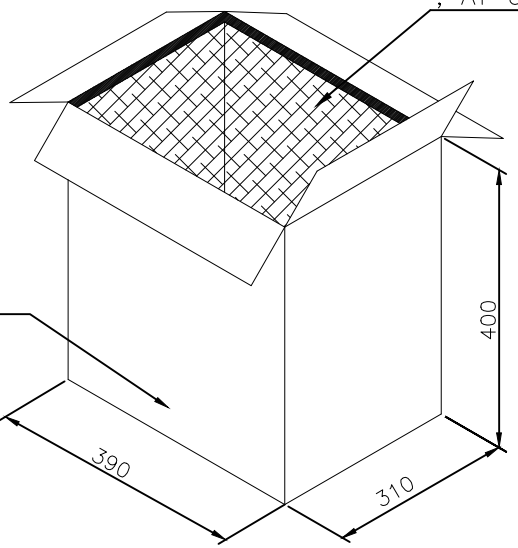
TYCO LABEL

②



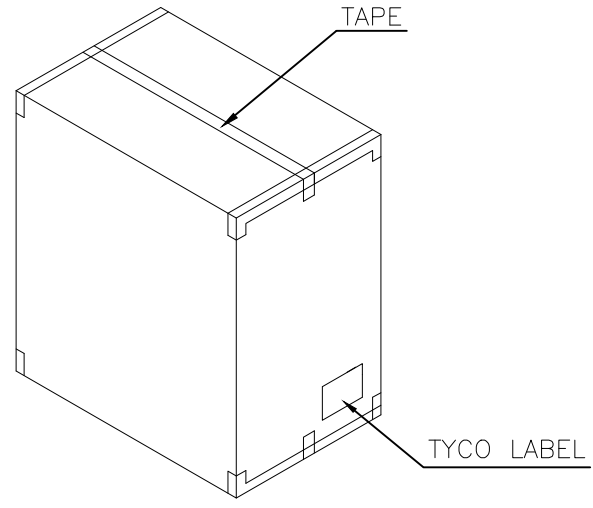
E.P.E (THICKNESS=15mm)  
AT 6 SIDES

③



25 TRAYS/CARTON

④



△7 OBSOLETE	14.85	11.55	2500	100	2-1734162-2
△7 OBSOLETE	14.85	11.55	2500	100	2-1734162-1
	14.00	13.00	6000	240	1-1734162-5
	14.85	11.55	2500	100	1-1734162-4
△7 OBSOLETE	14.85	11.55	2500	100	1-1734162-3
	14.85	11.55	3000	120	1-1734162-2
△7 OBSOLETE	14.00	13.00	7500	300	1-1734162-1
△7 OBSOLETE	14.85	11.55	2500	100	1734162-5
	14.85	11.55	2500	100	1734162-4
△7 OBSOLETE	14.85	11.55	3000	120	1734162-3
	14.85	11.55	2500	100	1734162-2
△7 OBSOLETE	14.85	11.55	3000	120	1734162-1
	G/W (kg)	N/W (kg)	QUANTITY	TRAY	PART NUMBER

THIS DRAWING IS A CONTROLLED DOCUMENT.

DWN	J. LEE	10APR2007	<b>tyco</b> Electronics	Tyco Holdings (Bermuda)	
CHK	S. HOU	10APR2007		VII Ltd. Taiwan Branch	
APVD	W.J. KE	10APR2007	NAME	BOX HEADER 2.54 PITCH V/T, DIP	
DIMENSIONS: MM			SIZE	CAGE CODE	DRAWING NO
TOLERANCES UNLESS OTHERWISE SPECIFIED:			WEIGHT	A3	00779
0 PLC ± -			RESTRICTED TO		
1 PLC ± -			A3 00779 C=1734162		
2 PLC ± -			CUSTOMER DRAWING	SCALE	SHEET
3 PLC ± -				-	2 OF 2
4 PLC ± -					REV
ANGLES ± -					A2
FINISH					