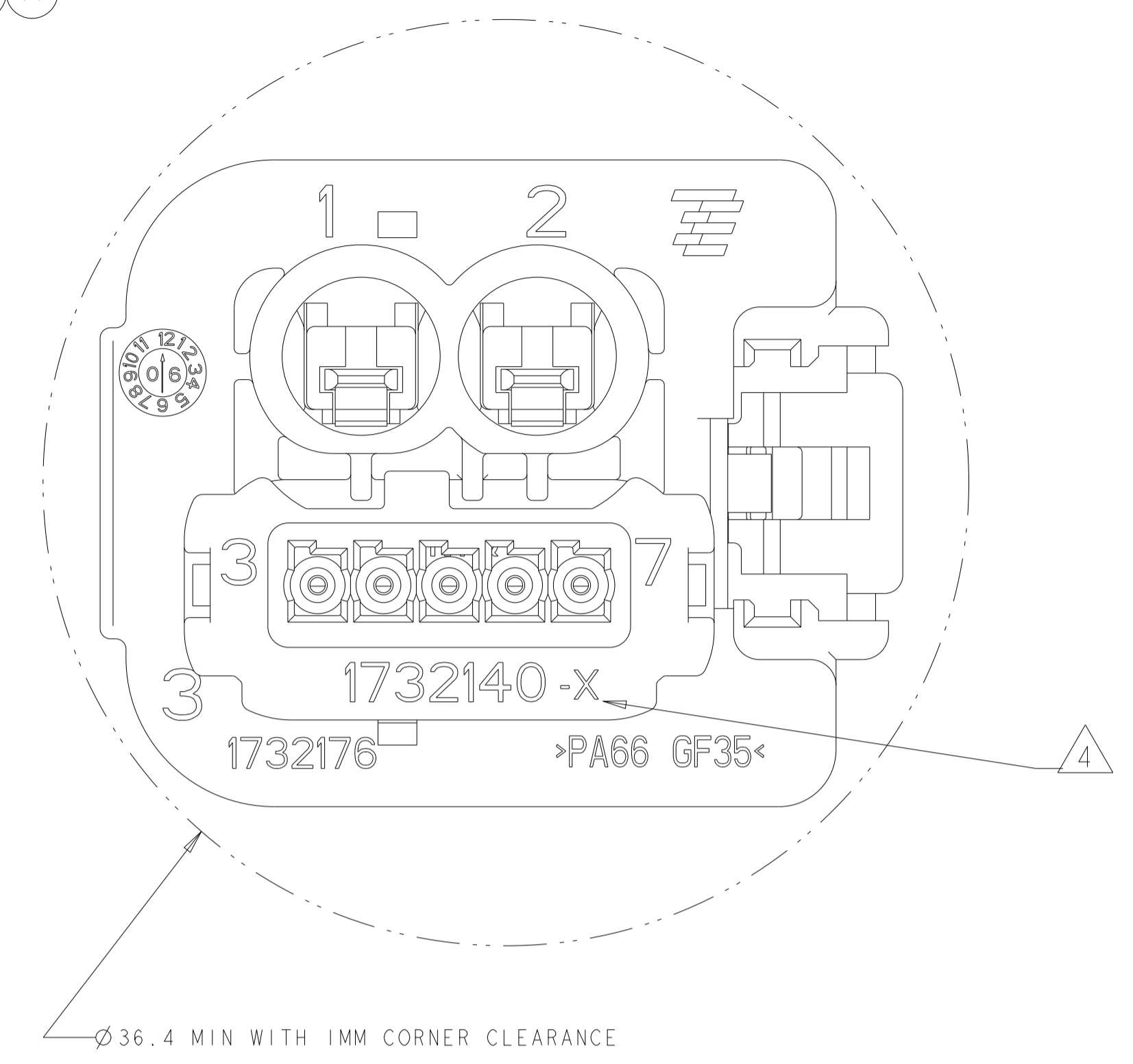
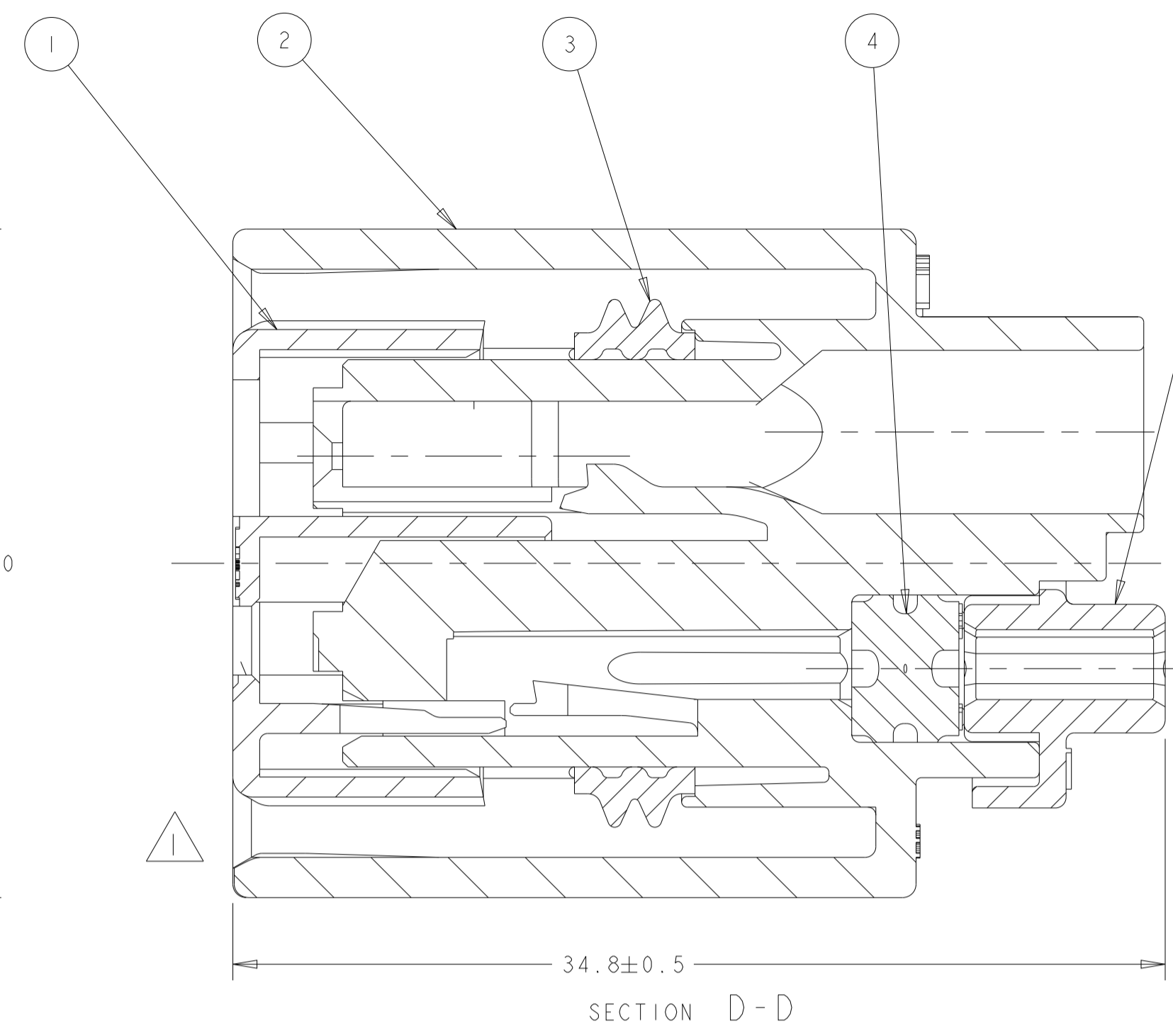
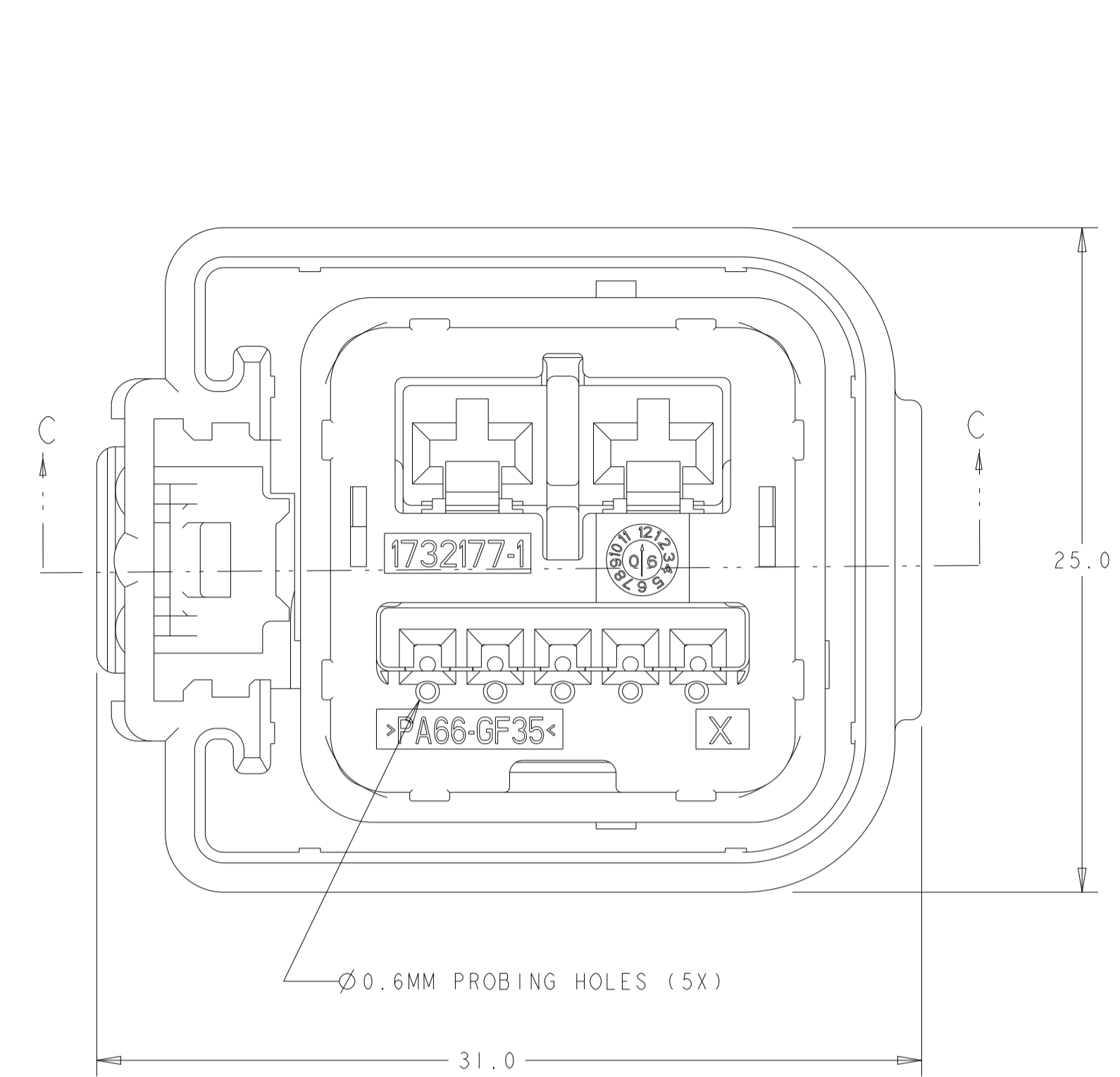
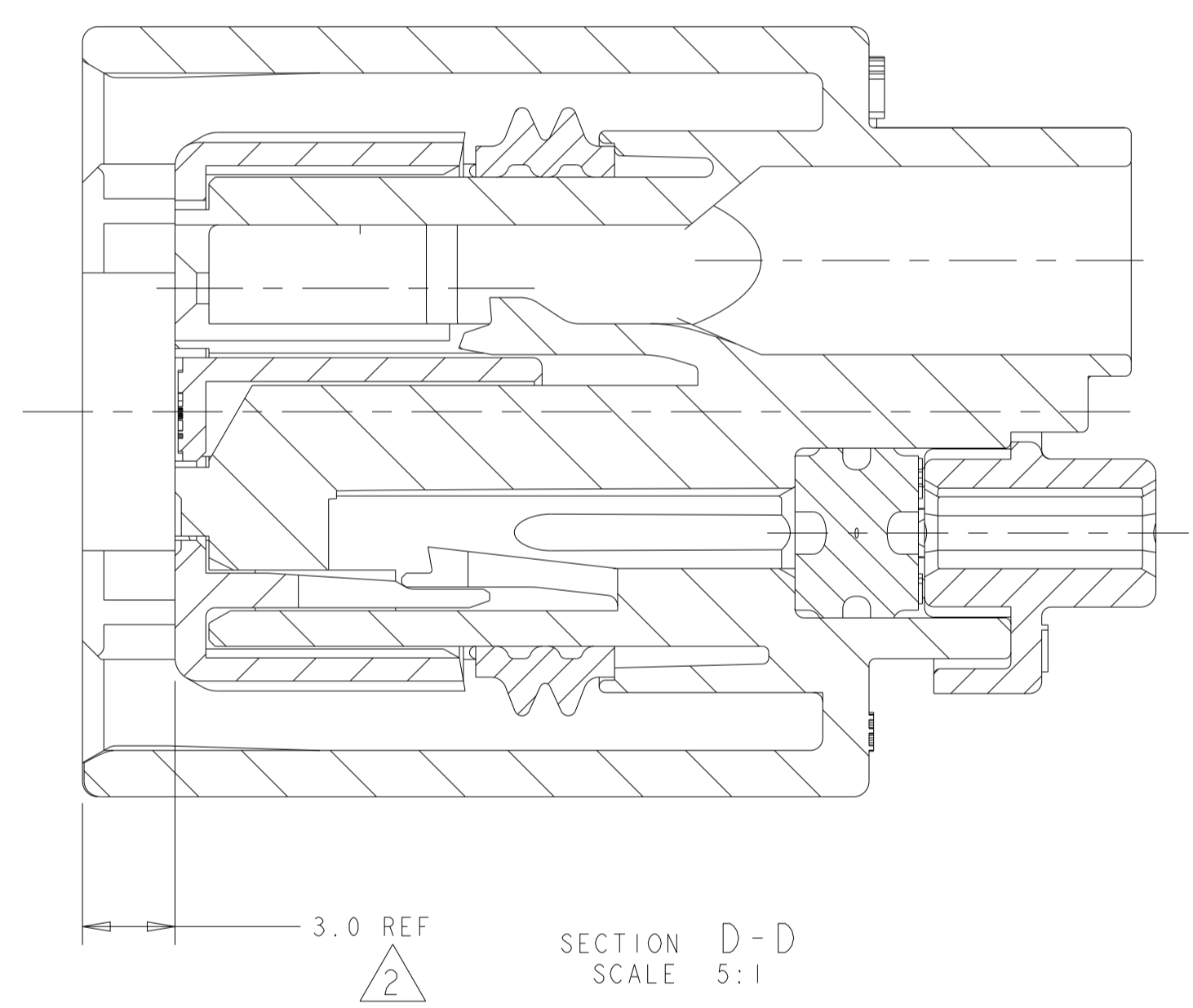


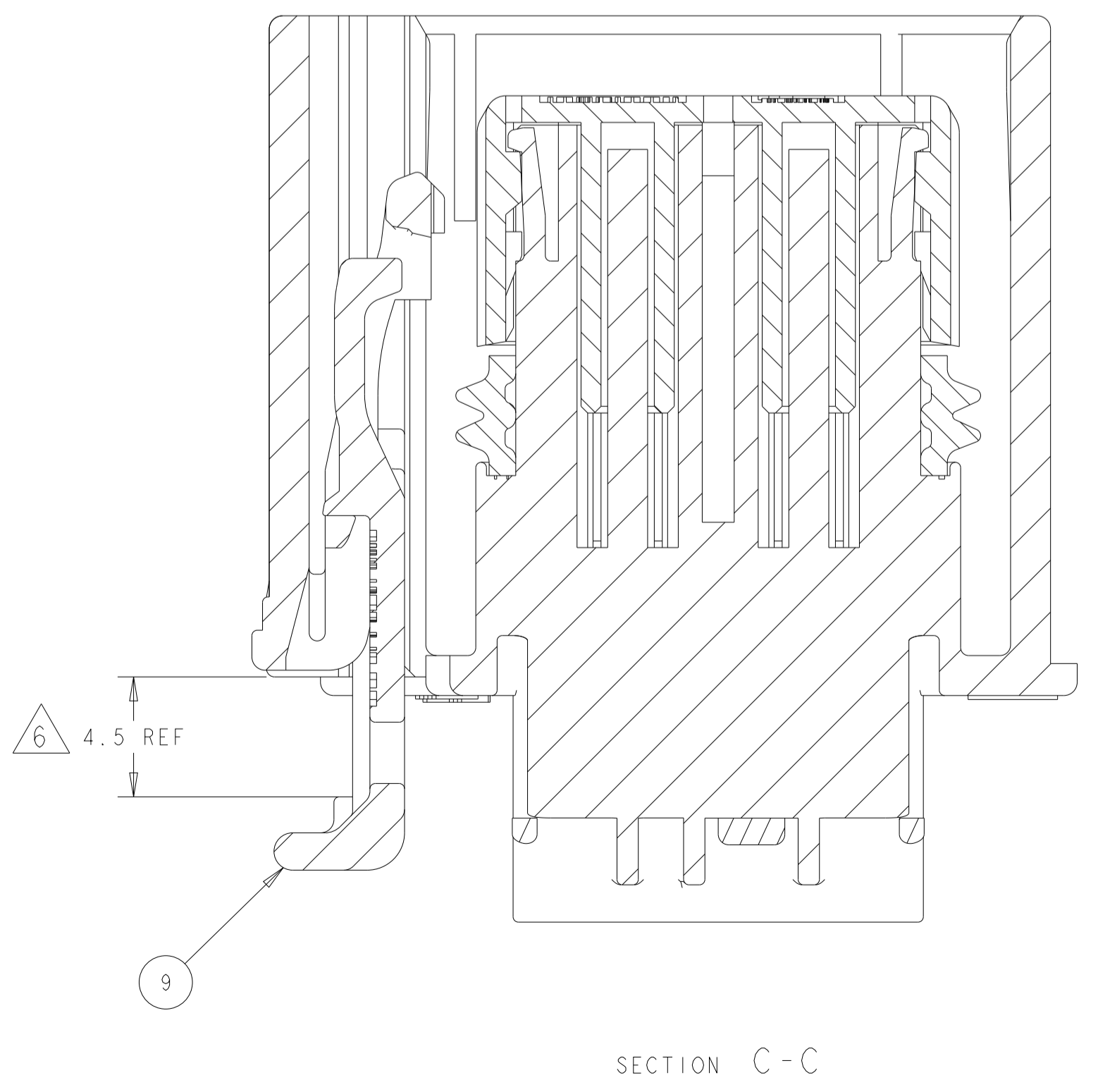
| REVISIONS |     |                           |           |        |
|-----------|-----|---------------------------|-----------|--------|
| P         | LTN | DESCRIPTION               | DATE      | APPD   |
| B6        |     | REVISED PER ECO-15-015696 | 01DEC2015 | DD CS  |
| B7        |     | REVISED PER ECO-16-018424 | 21DEC2016 | DD CS  |
| B8        |     | REV PER ECN-22-189117     | 15DEC2022 | SMR CS |



- 1. CONDITION AS SUPPLIED: TPA IN PRE-LOCKED POSITION
- 2. TPA IN LOCKED POSITION AS SHOWN. TRAVEL DISTANCE 3 REF.
- 3. MATES WITH USCAR INTERFACE 999-S-007-2-A01.
- 4. MARKING ON COVER.
- 5. APPLICABLE INSTRUCTION SHEET: 408-10106.
- 6. OPTIONAL CPA IN PRE-LOCKED POSITION.



| 1  | 2 | 3 | 4 | 5 | 6 | 7 | TE PN       | MARKING ON COVER |
|--|---|---|---|---|---|---|-------------|------------------|
|  |   |   | X |   |   |   | I-1732175-4 | 1732140-5        |
|  |   |   |   |   | X |   | I-1732175-2 | 1732140-3        |
|  | X |   |   |   | X | X | 1732175-6   | I-1732140-2      |
|  |   |   |   |   | X | X | 1732175-5   | 1732140-6        |
|  |   |   |   | X |   |   | 1732175-4   | 1732140-5        |
|  |   | X | X |   |   |   | 1732175-3   | 1732140-4        |
|  |   |   |   |   |   | X | 1732175-2   | 1732140-3        |
|  |   |   |   |   |   |   | 1732175-1   | 1732140-2        |
| CAVITY NUMBERED X - INDICATES PLUGGED HOLE |   |   |   |   |   |   | TE PN       | MARKING ON COVER |
| BLANK CAVITY INDICATES OPEN HOLE           |   |   |   |   |   |   |             | 4                |



| APPLICABLE COMPONENTS (REF) |               |          |              | WIRE SIZE AWG (OR METRIC EQUIVALENT) | MATERIAL    |
|-----------------------------|---------------|----------|--------------|--------------------------------------|-------------|
| DESCRIPTION                 | COLOR/PLATING | SUPPLIER | TE PN        |                                      |             |
| TERMINAL 064                | TIN           | TE       | 2035334-1    | 20-22                                | C5111 CuSn4 |
| TERMINAL 064                | TIN           | TE       | 2035334-2    | 18                                   | C5111 CuSn4 |
| TERMINAL 2.8                | TIN           | TE       | 1326032-2    | 20                                   | C64760      |
| TERMINAL 2.8                | TIN           | TE       | 1326032-3    | 18                                   | C64760      |
| TERMINAL 2.8                | TIN           | TE       | 1326032-4    | 16                                   | C64760      |
| TERMINAL 2.8                | TIN           | TE       | 1326032-5    | 14                                   | C64760      |
| TERMINAL 2.8                | TIN           | TE       | 1326032-6    | 12                                   | C64760      |
| CABLE SEAL 2.8              | GREEN         | YAZAKI   | 7158-3111-60 | 1.2-1.9 mm (WIRE O.D.)               |             |
| CABLE SEAL 2.8              | YELLOW        | YAZAKI   | 7158-3112-70 | 1.8-2.3 mm (WIRE O.D.)               |             |
| CABLE SEAL 2.8              | WHITE         | YAZAKI   | 7158-3113-40 | 2.1-3.0 mm (WIRE O.D.)               |             |
| CABLE SEAL 2.8              | LT GRAY       | YAZAKI   | 7158-3110-40 | 3.1-3.3 mm (WIRE O.D.)               |             |

| 1    | 2    | 3  | 4  | 5  | 6  | 7  | DESCRIPTION | MATERIAL        | COLOUR   | ITEM NO. |          |
|------|------|----|----|----|----|----|-------------|-----------------|----------|----------|----------|
| -    | -    | I  | -  | -  | -  | -  | COVER1--2   | >PA66-GF35<     | BLACK    | 11       |          |
| -    | -    | -  | I  | -  | -  | -  | COVER-6     | >PA66-GF15<     | BLACK    | 10       |          |
| I    | I    | -  | -  | -  | -  | -  | CPA         | >PA66-GF15<     | RED      | 9        |          |
| I    | -    | -  | -  | I  | -  | -  | COVER-5     | >PA66-GF35<     | BLACK    | 8        |          |
| -    | -    | -  | -  | I  | -  | -  | COVER-4     | >PA66-GF35<     | BLACK    | 7        |          |
| -    | I    | -  | -  | -  | I  | -  | COVER-3     | >PA66-GF35<     | BLACK    | 6        |          |
| -    | -    | -  | -  | -  | -  | I  | COVER-2     | >PA66-GF35<     | BLACK    | 5        |          |
| I    | I    | I  | I  | I  | I  | I  | GROMMET     | SILICONE RUBBER | ORANGE   | 4        |          |
| I    | I    | I  | I  | I  | I  | I  | SEAL        | SILICONE RUBBER | BLUE     | 3        |          |
| I    | I    | I  | I  | I  | I  | I  | HOUSING     | >PA66-GF35<     | BLACK    | 2        |          |
| I    | I    | I  | I  | I  | I  | I  | TPA         | >PA66-GF35<     | RED      | 1        |          |
| I--4 | I--2 | -6 | -5 | -4 | -3 | -2 | -1          | DESCRIPTION     | MATERIAL | COLOUR   | ITEM NO. |

QTY PER ASSY

TE PN 1732175

THIS DRAWING IS A CONTROLLED DOCUMENT.

APPROVED: G. GOTO, 18MAY2006

DESIGNED: J. HUANG, 18MAY2006

CHECKED: J. DAWIDZIUK, 18MAY2006

NAME: ASSEMBLY, 2X5 SEALED, CONNECTOR

SCALE: 5:1

SHEET: 1 OF 1

REV: B8

RESTRICTED TO: A100779C=1732175