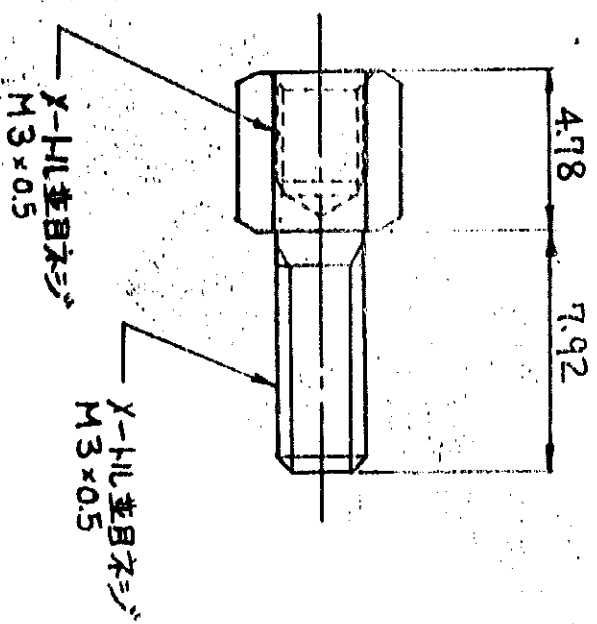
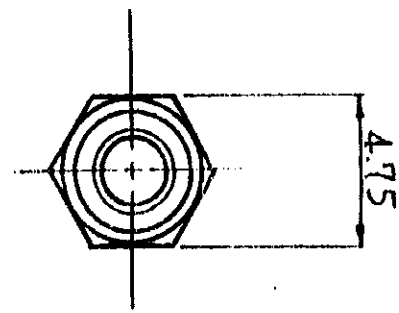


#5 (NUMBER)
C-173088

単位：mm DIMENSIONS IN MM. DO NOT SCALE PRINT



三角法 (THIRD ANGLE PROJECTION)

-1: AS SHOWN
: 本図

PRINT DISK		DR. DATE		DR. CHK. DATE	
LTR. 変更 (REVISION RECORD)		DR. 変更		DR. 変更	
0	作成	5-9160	10/1/86	10/1/86	10/1/86
DR.		DE		DE	
CHK.		APR		APR	
1986		1986		1986	
MATERIAL		INSULATION DIA.		WIRE RANGE	
炭素鋼 (CARBON STEEL)		mm		mm AWG	
JIS NAME		LOC. SIZE		REV. NO.	
スクローク (MICKEL PL.)		J A C-173088		0	
HDシリーズ用 雌側		FOR HD SERIES FEMALE		SCREWLOCK	
AMP		TOKYO, JAPAN		BY AMP Japan Ltd. ALL RIGHTS RESERVED. AMP PRODUCTS COVERED BY PATENTS AND OR PATENTS PENDING.	

AMP-J-030-1
REV. 1-83

(CUSTOMER DRAWING) 参 考 図 面