

THIS DRAWING IS UNPUBLISHED. RELEASED FOR PUBLICATION
 © COPYRIGHT - By - ALL RIGHTS RESERVED.

LOC	DIST	REVISIONS				
P	LTR	DESCRIPTION	DATE	DWN	APVD	
HB	-	E1	NEW ADD PN ECO-17-004477	23-Jan-18	WQ.Y	K.T
		E2	NEW ADD PN ECO-19-015756	21-Oct-19	WQ.Y	K.T

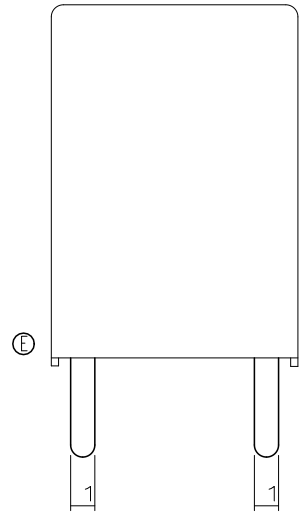
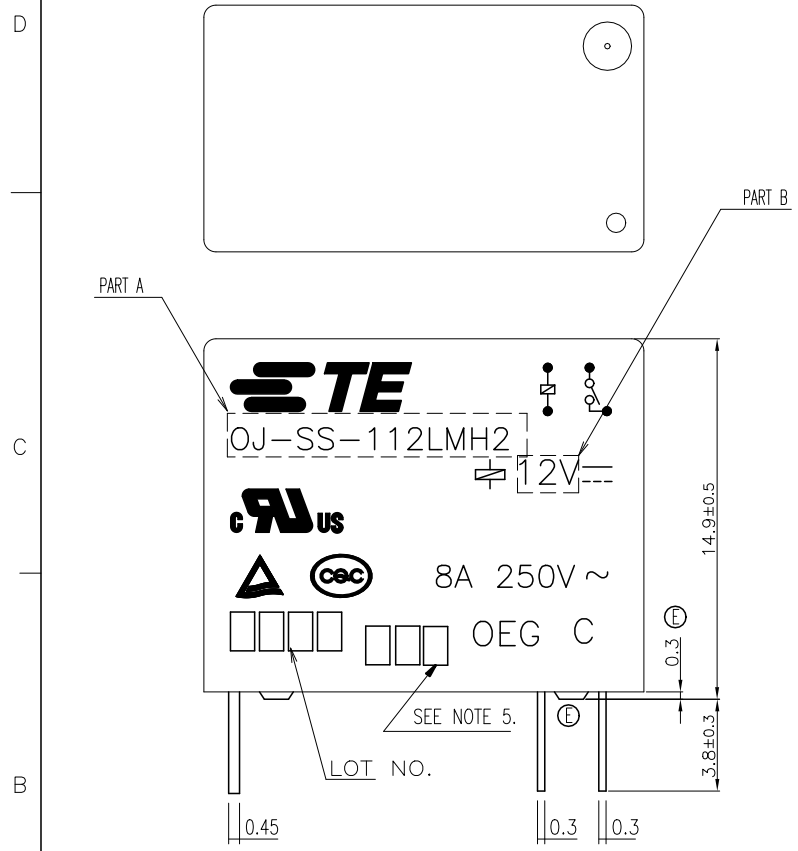
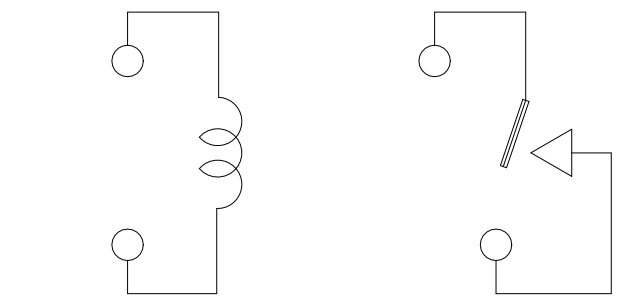


Diagram dimension	Tolerance
0.99mm max.	±0.1mm
1 - 2.99mm	±0.2mm
3mm min.	±0.3mm



CONNECTION FIGURE

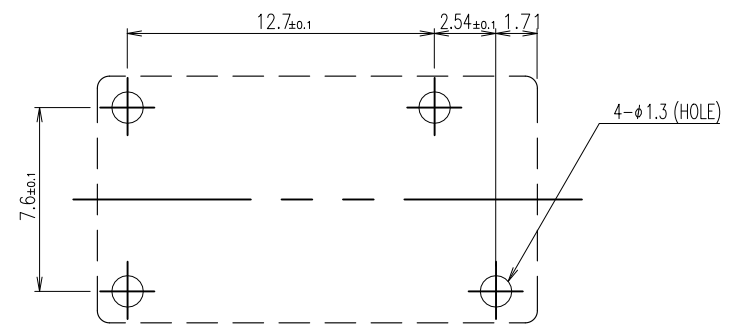
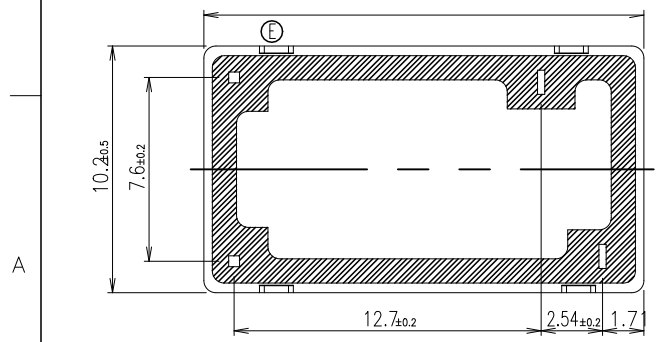


FIGURE FOR PRINTED CIRCUIT BOARD PROCESSING (BOTTOM VIEW)



THIS DRAWING IS A CONTROLLED DOCUMENT.		DWN	Hu,XieLi	-	TE Connectivity
		CHK	Mak,Simon	-	
		APVD	Mingjung,Ho	-	
		PRODUCT SPEC		-	
		APPLICATION SPEC		-	NAME
		WEIGHT		-	OJ-LMH2 SPEC CUSTOMER DRAWING
		CUSTOMER DRAWING		-	RESTRICTED TO
		SIZE	A3	00779	DRAWING NO
		SCALE	5:1	1721260	REV
		SHEET	1	OF 2	E2

4

3

2

1

THIS DRAWING IS UNPUBLISHED. RELEASED FOR PUBLICATION -.-
 © COPYRIGHT - By - ALL RIGHTS RESERVED.

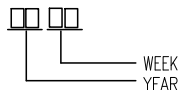
LOC	DIST	REVISIONS					
HB	-	P	LTR	DESCRIPTION	DATE	DWN	APVD
		-		SEE SHEET 1	-	-	-

107-79010	1-1721260-6	OJ-SH-112LMH2	12V	OJ-SH-112LMH2	q	ⓔ
	1-1721260-5	OJ-SH-112LMH2	12V	OJ-SH-112LMH2	p	ⓔ
107-84030	1-1721260-4	OJ-SS-105LMH2	5V	OJ-SS-105LMH2	0	ⓔ
	1-1721260-3	OJ-SS-112LMH2	12V	OJ-SS-112LMH2	n	ⓔ
	1-1721261-3	OJ-SH-112LMH2	12V	OJ-SH-112LMH2	m	ⓔ
107-79010	1-1721260-2	OJ-SH-124LMH2	24V	OJ-SH-124LMH2	l	
	1-1721260-1	OJ-SH-112LMH2	12V	OJ-SH-112LMH2	k	
	1-1721260-0	OJ-SH-109LMH2	9V	OJ-SH-109LMH2	j	
	1721260-9	OJ-SH-106LMH2	6V	OJ-SH-106LMH2	i	
	1721260-8	OJ-SH-105LMH2	5V	OJ-SH-105LMH2	h	
	1721260-7	OJ-SH-103LMH2	3V	OJ-SH-103LMH2	g	
	1721260-6	OJ-SS-124LMH2	24V	OJ-SS-124LMH2	f	
	1721260-5	OJ-SS-112LMH2	12V	OJ-SS-112LMH2	e	
	1721260-4	OJ-SS-109LMH2	9V	OJ-SS-109LMH2	d	
	1721260-3	OJ-SS-106LMH2	6V	OJ-SS-106LMH2	c	
	1721260-2	OJ-SS-105LMH2	5V	OJ-SS-105LMH2	b	
	1721260-1	OJ-SS-103LMH2	3V	OJ-SS-103LMH2	a	
	PACKAGE SPEC	TE PART NO	PART A	PART B	DESCRIPTION	TYPE

RELAY TYPE

NOTES:

- 1.TERMINAL DIMENSION BEFORE TINNING.
- 2.LOT NO. SYSTEM AS FOLLOWING:



- 2.TERMINAL DIMENSION IS BEFORE SOLDER DIP;
- 3.FOR THE TIN-PLATING OF THE PINS:
+0.1mm FOR WIDTH,THICKNESS AND DIAMETER.
+0.5mm FOR LENGTH.
- 4.MARKING FROM INK TO LASER AND USING WELDED CONTACT

5.ADD LOT NO. SYSTEM AS FOLLOWING;



- I, DIGITS FOR DAY OF THE WEEK
1...MONDAY IN THIS WEEK;
2...TUESDAY IN THIS WEEK;
.....
7...SUNDAY IN THIS WEEK
- II, DIGITS FOR SHIFT OF THE DAY
1...DAY SHIFT IN THIS DAY;
2...NIGHT SHIFT IN THIS DAY;
- III, ONE CHARACTER DISTINGUISH THE LINE IDENTITY, SUCH AS: A,B,....Z

		EPOXY RESIN	SEAL (BASE & BOBBIN)	15
		3UEW	MAGNETIC WIRE	14
UL94V-0		P.B.T	CASE	13
UL94V-0		P.B.T	BASE	12
UL94V-0		P.B.T	BOBBIN	11
	SOLDER DIP	C.P. WIRE	COIL TERMINAL	10
UL94V-0		P.P.S	CARD	9
		AgSn0In0	MOVABLE CONTACT	8
		AgSn0In0	NO.CONTACT	7
		STEEL	HINGE SPRING	6
	SOLDER DIP	Cu ALLOY	NO.TERMINAL	5
	SOLDER DIP	Cu ALLOY	MOVABLE SPRING	4
	NIP	STEEL	CORE	3
	NIP	STEEL	ARMATURE	2
	NIP	STEEL	YOKE	1
INCOMBUSTIBILITY	TREATMENT	MATERIAL	DESCRIPTION	ITEM

THIS DRAWING IS A CONTROLLED DOCUMENT.		DWN	Hu.Xielj	-
		CHK	Mak,Simon	-
		APVD	Mingjung.Ho	-
DIMENSIONS: mm		NAME		
TOLERANCES UNLESS OTHERWISE SPECIFIED:		OJ-LMH2 SPEC CUSTOMER DRAWING		
0 PLC ± -		SIZE		
1 PLC ± -		CAGE CODE		
2 PLC ± -		DRAWING NO		
3 PLC ± -		RESTRICTED TO		
4 PLC ± -		A3 00779		
ANGLES ± -		G= 1721260		
MATERIAL	FINISH	WEIGHT	-	
-	-	CUSTOMER DRAWING	SCALE	5:1
		SHEET	2 OF 2	
		REV	E2	