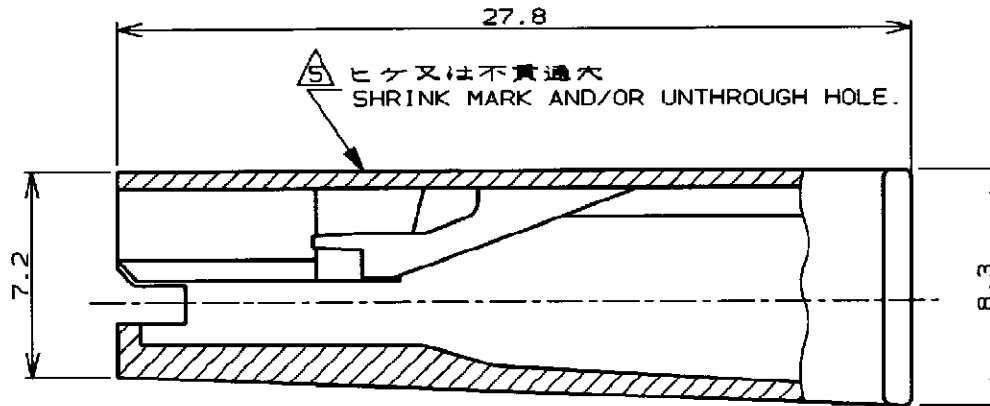
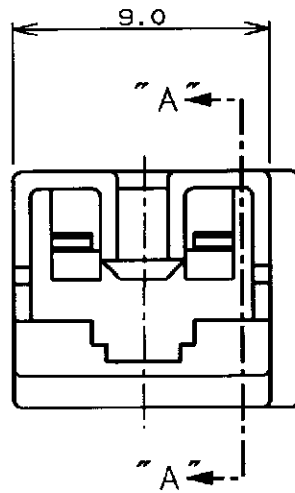
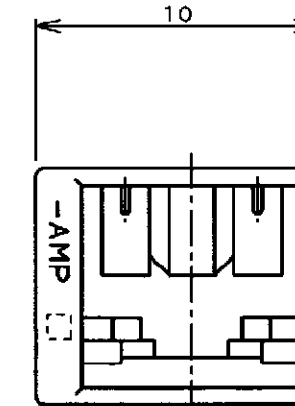


NUMBER C-172076



断面 "A"- "A"
(SECT "A"- "A")



NOTES;

1. PRODUCT SPECIFICATION 108-5127
2. APPLICABLE CONTACT
P/N ; 170327, 170328, 170329
3. SEE CP78-26023. ABOUT APPLICABLE TAB.
- △ MATERIAL ; 6/6 NYLON (94V-0)
- △ THERE ARE A FEW CASES THAT SHRINK MARK AND/OR UNTHROUGH HOLE OCCURS IN THIS AREA, BUT NOT INFLUENCE TO CONN,FUNCTION.
- △ COMPLY WITH GLOW WIRE REQUIREMENT FOR PARTS OF NON-METALLIC MATERIAL SUPPORTING A CURRENT CARRYING CONNECTION DETAILED IN IEC 60335-1, SECTION 30 (GWT), (GWT, UL94V-0)
- △ MATERIAL: PA66, UL94 V-0, GWIT 775°C

	3-172076-1	NATURAL	△
OBSOLETE	7-172076-4	NATURAL	△
	2-172076-7	(RED) 赤	△
	2-172076-6	(BLUE) 青	△
OBSOLETE	2-172076-5	(GREEN) 緑	△
	2-172076-4	(YELLOW) 黄	△
	2-172076-2	(BLACK) 黒	△
	2-172076-1	(NATURAL) 自然色	△
	172076-7	(RED) 赤	△
	172076-6	(BLUE) 青	△
	172076-5	(GREEN) 緑	△
	172076-4	(YELLOW) 黄	△
	172076-2	(BLACK) 黒	△
	172076-1	(NATURAL) 自然色	
	型番 (P/N)	色 (COLOR)	注 (NOTE)

単位: mm DIMENSIONS IN MM. DO NOT SCALE PRINT

PRINT DIST

H10	REVISED PER ECR-25-244830	20MAY'25	AG	JS
H9	REVISED PER ECR-25-242035	21APR'25	AG	JS
H8	REVISED PER ECR-25-241690	18APR'25	AG	JS
H7	REVISED PER ECR-19-018127	20JUL'20	AA	EW
H6	REVISED PER ECR-19-002938	25FEB'19	BH	EW
REV	DESCRIPTION	DATE	DWN	APVD

STE TE Connectivity	
適合電線断面積 (WIRE RANGE) 絶縁外径 (INSULATION DIA.) --- mm ² (AWG -) --- mmφ	名称 (NAME) 250 シリーズ 1極 ポジティブロック (マークII)ハウジング 250 SERIES 1 Pos POSITIVE LOCK (MK-II) HOUSING
材料 (MATERIAL) 6/6ナイロン (94V-2) △ 6/6 NYLON (94V-2) △	仕上 (FINISH) ---
DR. M. SUZUKI 17. JAN. '95 CHK. H. TAGUTCH 20. JAN. '95	DE. M. SUZUKI 17. JAN. '95 APP. H. TAGUTCH 20. JAN. '95
一般公差 (GENERAL TOLERANCE) 10以下: ±0.2 10を超え 30以下: ±0.25 30を超え 100以下: ±0.3 角 度: ±3°	LOC 番号 (No.) B J C-172076 尺度 (SCALE) 4-1 REV. H10 SHEET 1 OF 1