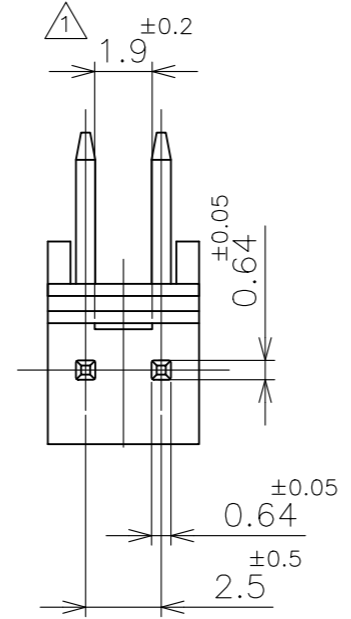
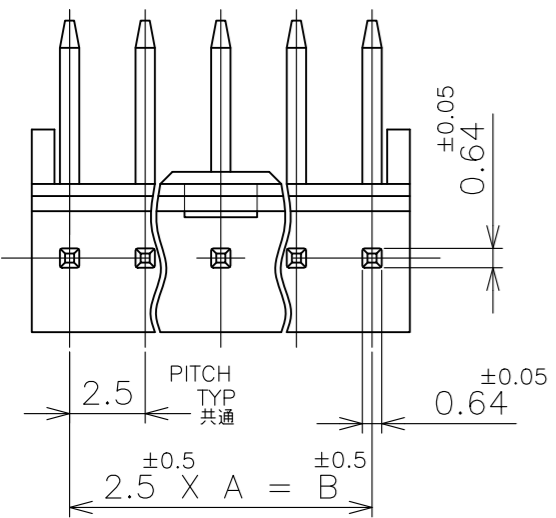
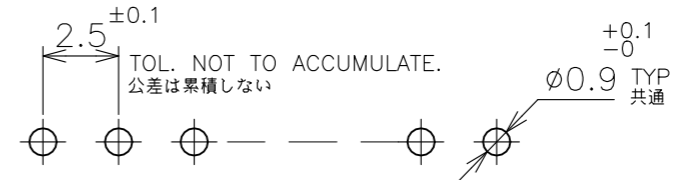
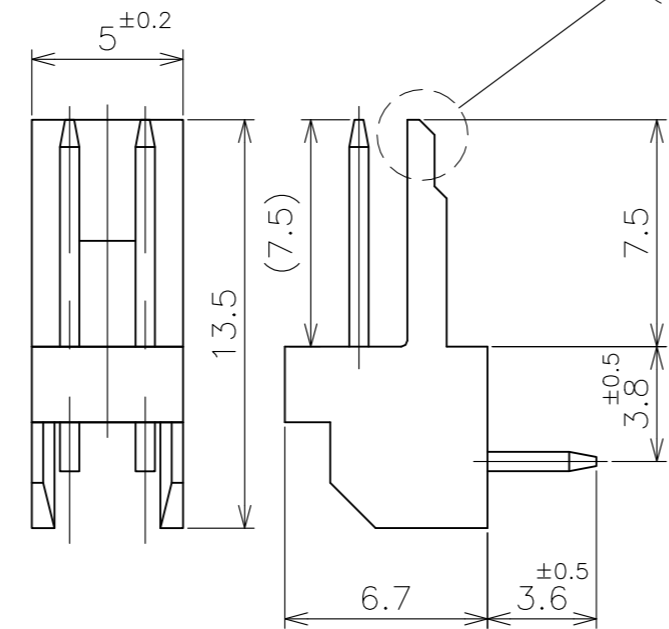
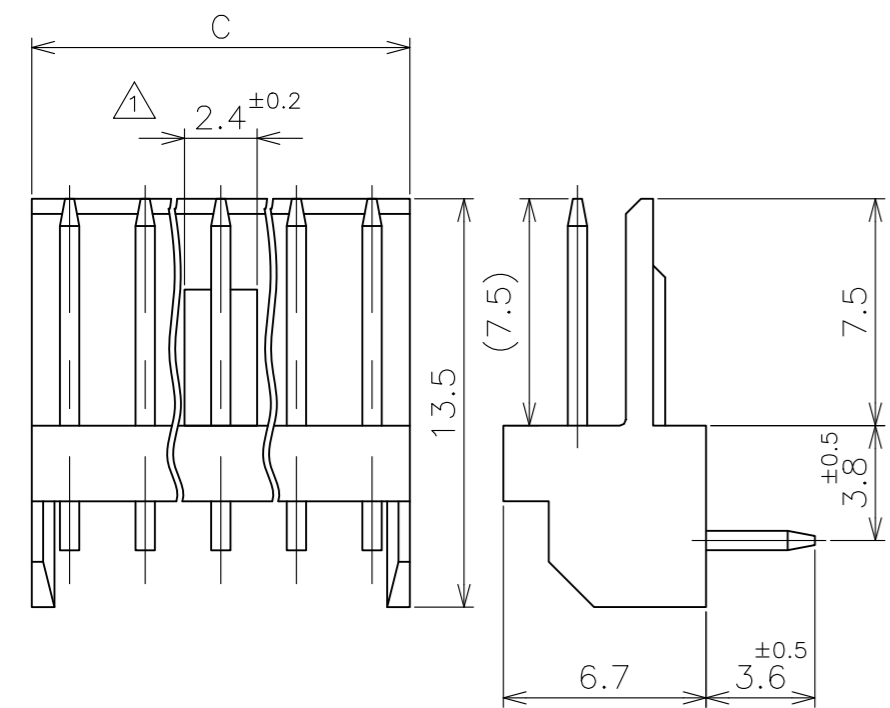


REVISIONS 変更				
P	LTR	DESCRIPTION	DATE	APVD
R4		REVISED ECR-22-158621	30MAR2023	C.K H.L



- ① LOCKING HOLE IS PLACED ON THE CENTER OF POST HEADER.
- ② MANUFACTURED BY AMP-BRASIL ONLY
- ③ OBSOLETE RED AND GREEN COLOR PARTS.

② APPLY TO AMP-BRASIL ONLY.



RECOMMENDED BOARD LAYOUT (1.6 THK)
取付基板寸法(基板厚 1.6t)

OBSOLETE PN: 4-171826-3, 4-171826-8

30.0	27.5	11	12	9-171826-2	7-171826-2	5-171826-2	3-171826-2	1-171826-2
25.0	22.5	9	10	9-▲-0	7-▲-0	5-▲-0	3-▲-0	1-▲-0
22.5	20.0	8	9	8-▲-9	6-▲-9	4-▲-9	2-▲-9	▲-9
20.0	17.5	7	8	8-▲-8	6-▲-8	4-▲-8	2-▲-8	▲-8
17.5	15.0	6	7	8-▲-7	6-▲-7	4-▲-7	2-▲-7	▲-7
15.0	12.5	5	6	8-▲-6	6-▲-6	4-▲-6	2-▲-6	▲-6
12.5	10.0	4	5	8-▲-5	6-▲-5	4-▲-5	2-▲-5	▲-5
10.0	7.5	3	4	8-▲-4	6-▲-4	4-▲-4	2-▲-4	▲-4
7.5	5.0	2	3	8-▲-3	6-▲-3	4-▲-3	2-▲-3	▲-3
図示	—	2	2	8-171826-2	6-171826-2	4-171826-2	2-171826-2	171826-2
±0.2 C	±0.5 B	A	NO OF POS 極数	③ RED 赤色	③ GREEN 緑色	BLUE 青色	BLACK 黒色	NATURAL 自然色
PART NUMBER 型番								

3~12 POS 極

2 POS 極

THIS DRAWING IS A CONTROLLED DOCUMENT.

DWN T.DOI 14MAY77
CHK H.TAGUCHI 14MAY77
APVD H.TAGUCHI 14MAY77

NAME 名称
PRODUCT SPEC 製品規格
APPLICATION SPEC 取付適用規格

SCALE 4:1
SHEET 1 OF 1
REV R4

WEIGHT 0.000000
A3 00779 C-171826

CUSTOMER DRAWING

RESTRICTED TO