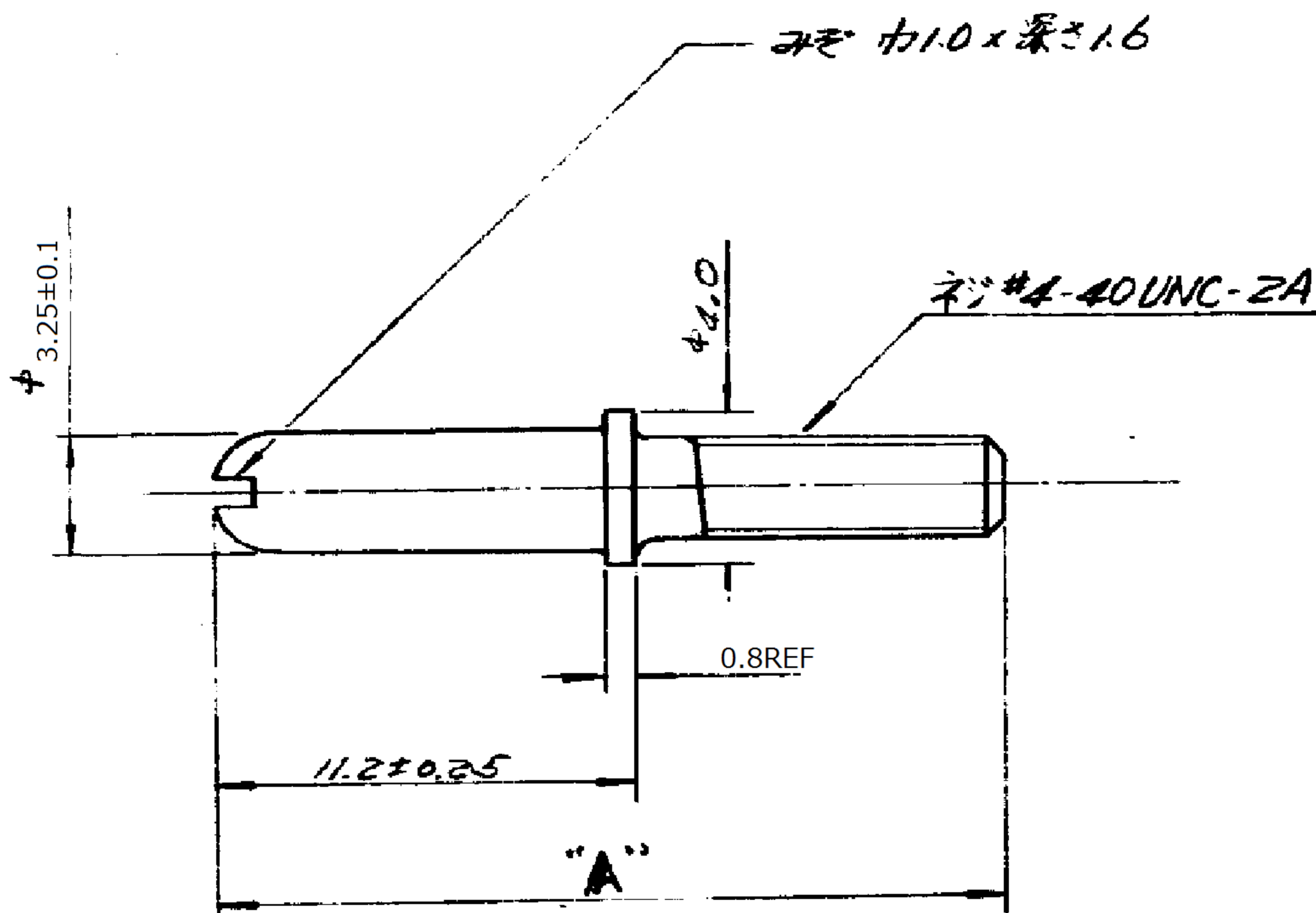


LOC	DIST	REVISIONS					
		P	LTR	DESCRIPTION	DATE	DWN	APVD
-	-		A	REVISED (REDRAW)	15APR2013	T.N	N.Y



1-2: 類似型番 200788-4)

ニッケルメッキ Ni PLATING	黄銅 BRASS	21.2	7-170948-2
錫メッキ TIN PLATING	黄銅 BRASS	24.2	170948-4
錫メッキ TIN PLATING	黄銅 BRASS	21.2	170948-2
FINISH	MATERIAL	"A"	PART NO.

20
RELEASED FOR PUBLICATION

ALL RIGHTS RESERVED.

THIS DRAWING IS UNPUBLISHED.

BY -

© COPYRIGHT 20

DIMENSIONS: mm	DWN T. NAGASAKI	15APR2013	MATERIAL	-	FINISH	-
	CHK S. YAMADA	15APR2013				
TOLERANCES UNLESS OTHERWISE SPECIFIED: ± 0.4	APVD N. YAMASAKI	15APR2013				
0-PLC ±	PRODUCT SPEC	-	NAME MINIATURE RECTANGULAR GUIDE PIN CORNER			
1-PLC ±	APPLICATION SPEC	-	SIZE	CAGE CODE	DRAWING NO	RESTRICTED TO
2-PLC ±	WEIGHT	-	A	400779	C-170948	-
3-PLC ±	CUSTOMER DRAWING		SCALE	4:1	SHEET	1 OF 1
4-PLC ±					REV	A
ANGLES ±1°						

