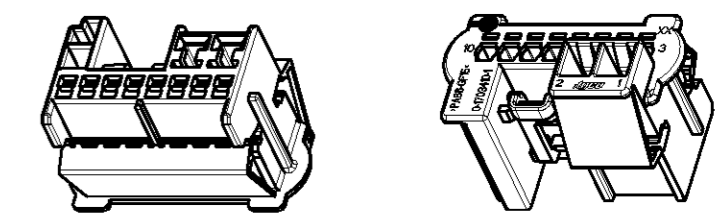
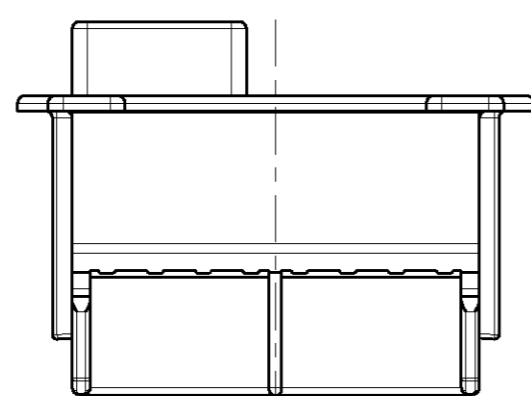
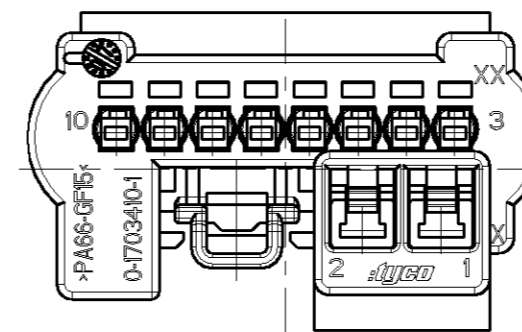
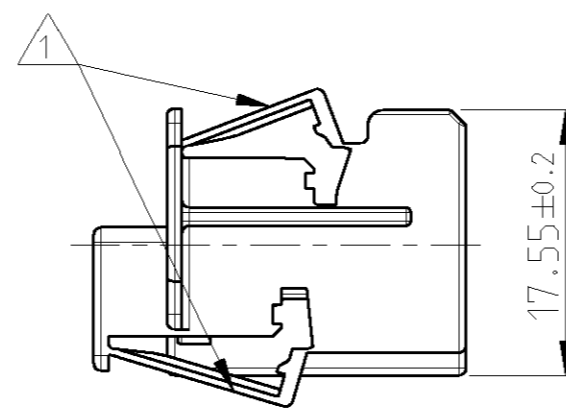
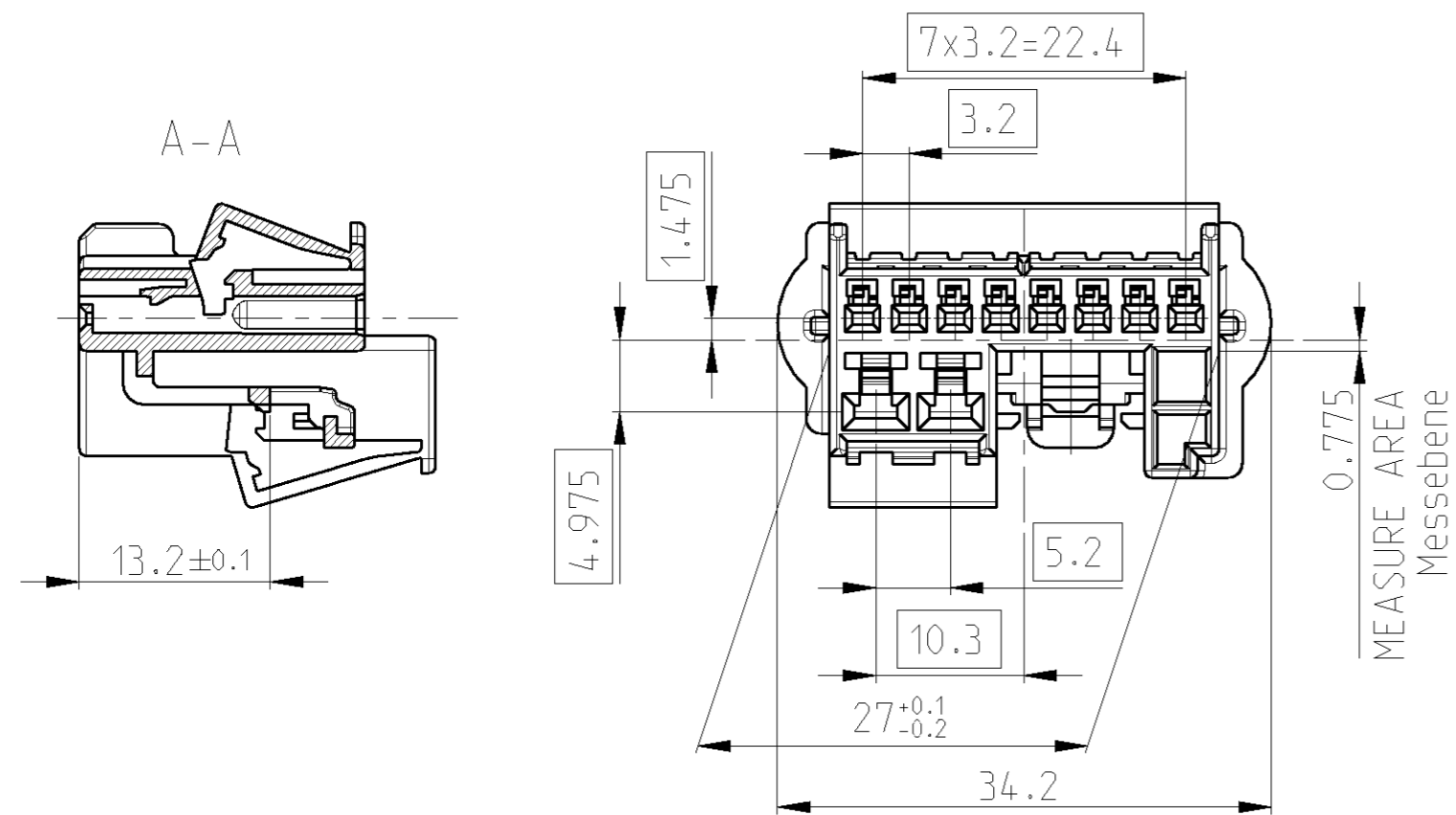
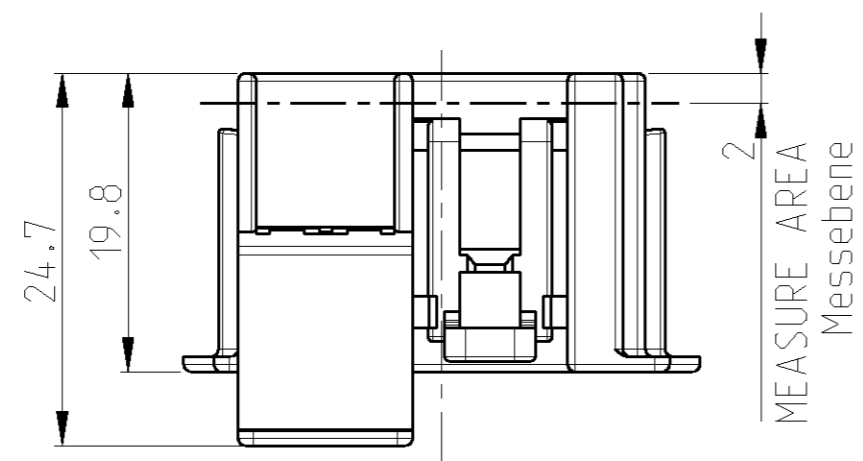


THIS DRAWING IS UNPUBLISHED. RELEASED FOR PUBLICATION 2007
 © COPYRIGHT 2007 BY TYCO ELECTRONICS CORPORATION. ALL RIGHTS RESERVED.

LOC	DIST	REVISIONS					
		P	LTR	DESCRIPTION	DATE	DWN	APVD
A1	-	A		NEW DRAWING	03MAY2007	GP	GM
		A1		ECR-07-016068	10JUL2007	GP	GM



1:1



NOTES:
Bemerkungen:

- 1 DELIVERY CONDITION: SECONDARY LOCKS IN PRELOCKED POSITION
Zweite Kontaktsicherungen in Vorraststellung
- 2 SUITABLE FOR TYCO-PN 1703411
Passend zu TYCO-Nr. 1703411

0-1703410-1	A	10POS.REC.HSG.	PA66-GF15	4,95	BLACK SIMILAR RAL9011	1
PART NO	REV	DESCRIPTION	VOLUME [mm ³]	WEIGHT [g]	COLOUR	ITEM NO

THIS DRAWING IS A CONTROLLED DOCUMENT FOR TYCO ELECTRONICS CORPORATION IT IS SUBJECT TO CHANGE AND THE CONTROLLING ENGINEERING ORGANIZATION SHOULD BE CONTACTED FOR THE LATEST REVISION.		DWN 06FEB2007 G.PUCKEL CHK 06FEB2007 K.ROTH APVD 07FEB2007 G.MUMPER	tyco Electronics tyco Electronics AMP GmbH 64625 Bensheim (Germany)				
DIMENSIONS: mm 		TOLERANCES UNLESS OTHERWISE SPECIFIED: 0 PLC ±0.3 1 PLC ±0.3 2 PLC ±0.3 3 PLC ±- 4 PLC ±- ANGLES ±1° FINISH		PRODUCT SPEC - APPLICATION SPEC - WEIGHT -		NAME 10POS INLINER REC.HOUSING 8 x MCON1,2 AND 2 x AMP2,8	
MATERIAL -		CUSTOMER DRAWING		SCALE 2:1	SHEET 1 OF 1	REV A1	RESTRICTED TO -